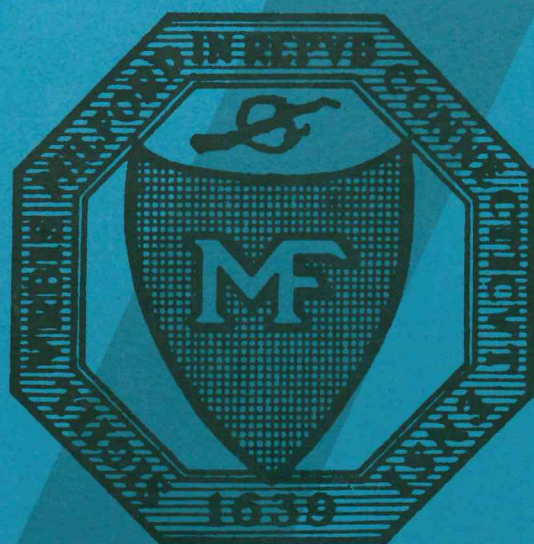
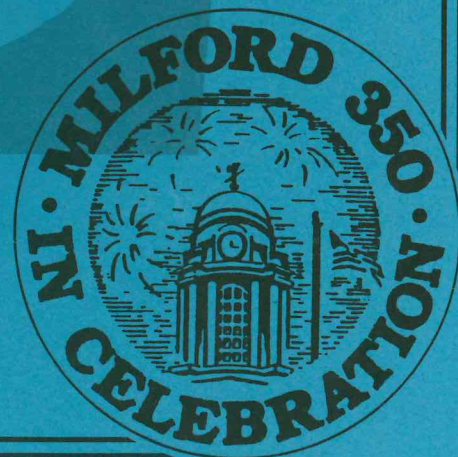


# ZONING REGULATIONS



MILFORD, CONNECTICUT  
1989



ZONE REGULATION AMENDMENT  
Effective 5/11/91

SECTION 3.1.2 WHICH READS:

3.1.2 Special Uses: Subject to all other applicable provisions and limitations of these Regulations, the Board may permit the following building and uses, subject to Special Permit and Site Plan Approval in accordance with ARTICLE VII, herein.

TO BE AMENDED TO READ:

3.1.2 Special Uses: Subject to all other applicable provisions and limitations of these Regulations, the Board may permit the following building and uses, subject to Special Permit [Special Exception (as specifically noted)] and Site Plan Approval in accordance with ARTICLE VII, herein.

[ ] represents new wording.

ZONE REGULATON AMENDMENT  
Effective 5/11/91

SECTION 3.1.2.9 WHICH READS:

Convalescent home, nursing home or rest home, subject to the following conditions and safeguards:

- \* (1) The lot area for each four patient beds shall not be less than minimum required lot area of the applicable zoning district.

TO BE AMENDED TO READ:

Convalescent Home, nursing home or rest home, subject to [Special Exception and Site Plan Approval in accordance with Article VII, Section 7.3.6 herein.]

\* to be deleted

[ ] represents new wording.

ZONE REGULATION AMENDMENT  
Effective 5/11/91

AMENDMENT TO SECTION 4.1.7    FENCES AND WALLS

4.1.7.3    NEW SUBSECTION

In the case of any rear yard which abuts Long Island Sound only, no fence other than fences constructed of metal wire mesh or wire link material, shall be erected within 25 feet of the mean high mark.

Any fence erected less than 25' of the mean high water mark shall require Special Permit approval in accordance with Section 4.1.15.3.

ZONE REGULATION AMENDMENT  
Effective 5/11/91

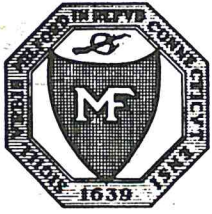
REVISE SECTION 7.1.1.1 APPLICATION AS FOLLOWS:

Each application for a Site Plan Review approval shall be submitted to the City Planner, Assistant City Planner, or other authorized persons as designated by the City Planner; henceforth, designated as the Reviewing Officer, on a form prescribed by the Planning and Zoning Board, and shall be accompanied by ten (10) copies of the Site Plan, eight (8) if a Health Department report is not required. The applicant shall have all zoning related plans reviewed by the Reviewing Officer at the Planning and Zoning Board Office prior to the applicant distributing said plans to the various City Departments as determined by the Reviewing Officer. If a subsequent review by a City Department reveals the need to revise a plan, such revisions shall be noted on the title block of the revised plan, with a note indicating the nature of the revision; and then be re-circulated through the Reviewing Officer's office prior to proceeding back to the department requiring the revision. When the applicant receives all required department approvals, the Reviewing Officer will then accept an application form and fee, and will determine whether or not such application can be certified, i.e., that the proposed building construction and uses are in conformance with all applicable provisions of these Regulations and those requirements of this Section regarding Site Plan Review. (As amended 1/24/87 and 5/20/89.)

ZONE REGULATION AMENDMENT  
Effective 5/11/91

AMEND SECTION 9.2.1 Add new paragraph:

Any appeal of a decision of the Zoning Enforcement Officer shall be taken within 15 days (as required by action taken by the Zoning Board of Appeals on August 2, 1977) Any appeal taken pursuant to this section shall be made on a form available at the Planning & Zoning Office.



# City of Milford, Connecticut

Founded 1639

## PLANNING AND ZONING BOARD

70 WEST RIVER STREET  
MILFORD, CONNECTICUT 06460

RESOLVED, the City Planning and Zoning Board of the City of Milford, Connecticut, pursuant to the authority vested in it by law, hereby ordains and enacts as follows:

THESE REGULATIONS governing and restricting the height, number of stories and size of buildings and other structures, the percentage of the lot that may be occupied, the size of yards and other open spaces, the density of population and the location and use of buildings, structures and land for trade, industry, residence or other purposes, and the height, size, location and type of signs, providing for the administration and enforcement of provisions herein and imposing penalties for their violation; all for the purpose of promoting the health, safety, and general welfare of the inhabitants of the City of Milford, Connecticut, in accordance with a comprehensive plan.

HEREAFTER these regulations shall be known and may be cited by the title of the "Zoning Regulations of the City of Milford, Connecticut."

ADOPTED:                   October 2, 1973  
EFFECTIVE DATE:       October 6, 1973

1944

1944

1944

1944

1944

1944

1944

1944

1944

1944

1944

1944

SALE OF PUBLICATIONS

Copies of the current regulations and zone map may be purchased at the Planning and Zoning Office.

Copies of the regulations and/or zoning maps may be mailed if a request for the publications is accompanied by a check to cover the full cost of the publication ordered including handling charges.

The Planning and Zoning Office may be contacted at: 203-783-3245 for quotations of current costs and handling charges.



1943

... ..  
... ..  
... ..  
... ..  
... ..

ZONING REGULATIONS OF THE  
CITY OF MILFORD, CONNECTICUT

October, 1973  
Amended to February, 1989

MAYOR  
ALBERTA JAGOE

PLANNING AND ZONING BOARD  
Kevin Norman, Chairman  
William Cobain, Vice Chairman  
Cynthia Anschutz  
Timothy Chaucer  
Edmund Fogg  
Angelo Marino  
Albert Munroe  
Normand Poulin  
Vincent Rositani  
A. Harris Stone

CITY PLANNER  
Wade E. Pierce

ASSISTANT CITY PLANNER  
Peter W. Crabtree

ZONING ENFORCEMENT OFFICERS  
Robert E. Swan  
Richard L. Vaczek



ZONING REGULATIONS  
MILFORD, CONNECTICUT

TABLE OF CONTENTS

<u>Section</u>	<u>Title</u>	<u>Page</u>
	<u>PREAMBLE</u>	
<u>ARTICLE I</u>	<u>PURPOSES</u>	
SECTION 1.1	PURPOSES	I-1
<u>ARTICLE II</u>	<u>ESTABLISHMENT OF DISTRICTS</u>	
SECTION 2.1	LIST OF DISTRICTS	II-1
SECTION 2.2	ZONING MAP	II-1
SECTION 2.3	DISTRICT BOUNDARIES	II-1
SECTION 2.4	EXTENT OF DISTRICTS	II-2
SECTION 2.5	EFFECT OF ESTABLISHMENT OF DISTRICTS	II-2
SECTION 2.6	EFFECT OF ZONING CHANGES ON SUBDIVISION	II-4
<u>ARTICLE III</u>	<u>DISTRICT USE REGULATIONS</u>	
SECTION 3.1	ONE-FAMILY RESIDENTIAL DISTRICTS	III-1
SECTION 3.2	SINGLE FAMILY ATTACHED DISTRICTS	III-9
SECTION 3.3	MEDIUM DENSITY & HIGH DENSITY MULTIPLE-FAMILY RESIDENTIAL DISTRICTS	III-12
SECTION 3.4	RESIDENTIAL OFFICE DISTRICTS	III-16
SECTION 3.5	LIMITED OFFICE DISTRICTS	III-19
SECTION 3.6	DESIGN OFFICE DISTRICTS	III-22
SECTION 3.7	BOATING BUSINESS DISTRICTS	III-25
SECTION 3.8	GENERAL OFFICE DISTRICTS	III-29
SECTION 3.9	LIMITED BUSINESS DISTRICTS	III-33
SECTION 3.10	CENTRAL BUSINESS	III-39
SECTION 3.11	GENERAL BUSINESS DISTRICTS	III-44
SECTION 3.12	SHOPPING CENTER DISTRICTS	III-50
SECTION 3.13	MOTEL BUSINESS DISTRICTS	III-55
SECTION 3.14	LIMITED INDUSTRIAL DISTRICTS	III-58
SECTION 3.15	GENERAL INDUSTRIAL DISTRICTS	III-64
SECTION 3.16	HEAVY INDUSTRIAL DISTRICTS	III-67
SECTION 3.17	HOUSATONIC DESIGN DISTRICTS	III-73
SECTION 3.18	WATERFRONT DESIGN DISTRICTS	III-78
SECTION 3.19	OPEN SPACE DISTRICT	III-82
SECTION 3.20	BEACH EROSION ZONE	III-83
<u>ARTICLE IV</u>	<u>GENERAL REGULATIONS</u>	
SECTION 4.1	GENERAL LOT, YARD, HEIGHT AND USE REGULATIONS	IV-1
<u>ARTICLE V</u>	<u>SUPPLEMENTARY REGULATIONS</u>	
SECTION 5.1	PARKING AND LOADING REGULATIONS	V-1
SECTION 5.2	SIGN REGULATIONS	V-11
SECTION 5.3	COMMERCIAL GARAGE & SERVICE STATION REGULATIONS	V-17
SECTION 5.4	ALCOHOLIC LIQUOR REGULATIONS	V-20
SECTION 5.5	EARTH FILL & REMOVAL REGULATIONS	V-23
SECTION 5.6	FLOOD HAZARD REGULATIONS	V-29
SECTION 5.7	CLUSTER DEVELOPMENT	V-45
SECTION 5.8	PLANNED RESIDENTIAL DEVELOPMENT	V-52
SECTION 5.9	PERFORMANCE STANDARD REGULATIONS	V-57
SECTION 5.10	COASTAL SITE PLAN REVIEW	V-59
SECTION 5.11	EROSION & SEDIMENT CONTROL	V-63

TABLE OF CONTENTS (continued)

<u>Section</u>	<u>Title</u>	<u>Page</u>
<u>ARTICLE VI</u>		
SECTION 6.1	<u>NON-CONFORMING USE, STRUCTURES &amp; LOTS</u> DECLARATION	VI-1
SECTION 6.2	NON-CONFORMING USES	VI-2
SECTION 6.3	NON-CONFORMING STRUCTURES	VI-4
SECTION 6.4	NON-CONFORMING LOTS	VI-5
<u>ARTICLE VII</u>		
<u>PLANNING &amp; ZONING BOARD</u>		
SECTION 7.1	SITE PLAN APPROVAL	VII-1
SECTION 7.2	SPECIAL PERMIT APPROVAL	VII-7
SECTION 7.3	SPECIAL EXCEPTIONS	VII-9
<u>ARTICLE VIII</u>		
<u>INTERPRETATION, ADMINISTRATION AND ENFORCEMENT</u>		
SECTION 8.1	INTERPRETATION	VIII-1
SECTION 8.2	ZONING ENFORCEMENT OFFICER	VIII-1
SECTION 8.3	APPLICATION FOR ZONING PERMIT	VIII-1
SECTION 8.4	FEES	VIII-2
SECTION 8.5	APPROVAL OF APPLICATION FOR ZONING PERMIT	VIII-2
SECTION 8.6	BUILDING PERMIT	VIII-3
SECTION 8.7	INSPECTIONS	VIII-3
SECTION 8.8	ISSUANCE OF CERTIFICATE OF ZONING COMPLIANCE	VIII-3
SECTION 8.9	CERTIFICATE OF OCCUPANCY	VIII-4
SECTION 8.10	ADMINISTRATIVE PROCEDURES	VIII-4
SECTION 8.11	SPECIAL CONDITIONS	VIII-5
SECTION 8.12	RECORDS	VIII-5
SECTION 8.13	VIOLATIONS AND PENALTIES	VIII-5
<u>ARTICLE IX</u>		
<u>ZONING BOARD OF APPEALS</u>		
SECTION 9.1	ADMINISTRATION	IX-1
SECTION 9.2	POWERS AND DUTIES	IX-1
SECTION 9.3	PROCEDURES	IX-2
SECTION 9.4	REVOCATION AND RE-HEARING	IX-4
<u>ARTICLE X</u>		
<u>AMENDMENTS</u>		
SECTION 10.1	AUTHORITY	X-1
SECTION 10.2	PETITION AND FEES	X-2
SECTION 10.3	REFERRALS	X-2
SECTION 10.4	PENDING DISTRICT CHANGES	X-2
SECTION 10.5	PROTEST OF ZONE CHANGE	X-2
SECTION 10.6	EFFECTIVE DATE OF AMENDMENTS	X-2
<u>ARTICLE XI</u>		
<u>DEFINITIONS</u>		
SECTION 11.1	GENERAL TERMS	XI-1
SECTION 11.2	OTHER TERMS	XI-1
<u>ARTICLE XII</u>		
<u>VALIDITY, REPEALER AND EFFECTIVE DATE</u>		
SECTION 12.1	VALIDITY	XII-1
SECTION 12.2	REPEALER	XII-1
SECTION 12.3	EFFECTIVE DATE	XII-1

ARTICLE 1 - PURPOSES

SECTION 1.1 PURPOSES There is hereby established a comprehensive zoning plan for the City of Milford, which plan is set forth in the text, schedule, and maps, all of which constitute these Regulations. Said plan is adopted for the purposes set forth in the General Statutes of the State of Connecticut which, in the interest of protecting and promoting the public health, safety and welfare, shall be deemed to include the following, among others:

1.1.1 EXISTING DEVELOPMENT: The protection of the character of existing built-up areas and the enhancement of the appearance of the community as a whole;

1.1.2 HISTORIC SITES: The preservation of sites, buildings and uses of historical significance to the community;

1.1.3 EXISTING NON-CONFORMITIES: The minimization of non-conforming buildings and lots in existing built-up areas;

1.1.4 RENEWED DEVELOPMENT: The encouragement of the private sector to renew and upgrade neighborhoods in which deterioration has become apparent;

1.1.5 NEW DEVELOPMENT: The control of the form of growth in newly developing areas.

1.1.6 ECONOMIC HEALTH: The provisions for economic health of the community in harmony with the City Development Plan.

1.1.7 OPEN SPACE: The preservation of open spaces and natural features of the land.

1.1.8 PUBLIC FACILITIES: The provision of adequate and efficient public facilities and services.



ARTICLE II - ESTABLISHMENT OF DISTRICTS

SECTION 2.1 LISTING OF DISTRICTS The City of Milford is hereby divided into the classes of Zoning Districts as listed below:

R-AA, R-A, R-30, R-18, R-12.5, R-10,	
R-7.5, R-5.....	One Family Residential
SFA-10 & SFA-20.....	Single Family Attached
RMF-9, RMF-16 & RMF-36.....	Multi-Family Residential
RO.....	Residential Office
LO.....	Limited Office
DO-10 & DO-25.....	Design Office
BB.....	Boating Business
GO.....	General Office
LB-50, LB-10 & LB-2.....	Limited Business
CBD.....	Central Business District
GB.....	General Business
SCD.....	Shopping Center Design
MB.....	Motel Business
LI-30 & LI-10.....	Limited Industrial
GI.....	General Industrial
HI.....	Heavy Industrial
HDD.....	Housatonic Design District
WDD.....	Waterfront Design District
OS.....	Open Space
BEZ.....	Beach Erosion Zone

SECTION 2.2 ZONING MAPS The boundaries of these Zoning Districts are hereby established, as shown on a maps entitled, "Zoning Maps of the City of Milford, Connecticut," as amended, which, with all explanatory matter thereon, is hereby adopted and made a part of these Regulations. A copy of said Zoning Maps, indicating the latest amendments, shall be kept up to date in the office of the Zoning Enforcement Officer for the use and benefit of the public.

Other maps pertinent to these regulations include:

<u>Subject</u>	<u># of Maps</u>
Beach Erosion Zone	3
CAM Maps (including boundary maps)	12
Flood Insurance Rate Map	6
Historic District Map	1
Inland Wetland Map	42
Tidal Wetland Maps	17

These maps are available for inspection during regular office hours. Arrangements can be made to purchase zoning maps.

SECTION 2.3 DISTRICT BOUNDARIES In determining the boundaries of Zoning Districts shown on the Zoning Maps the following rules shall apply:



2.3.1 Center Lines: Where district boundaries are indicated as approximately following the center lines of railroads, state highways, streets, waterbodies or watercourses, such center lines shall be construed to be such boundaries.

2.3.2 Lot Lines: Where district boundaries are indicated as approximately following street or lot lines of record, such lines shall be construed to be such boundaries.

2.3.3 Dimensions: Unless otherwise shown, all district boundaries running parallel to street or other physical features shall be determined by the exact dimensions between the street line or other established line and said district boundary as shown on the Zoning Maps.

2.3.4 Uncertainty: In all other cases where exact dimensions are not shown on the Zoning Maps, the location of district boundaries shall be determined by the Planning and Zoning Board.

SECTION 2.4 EXTENT OF DISTRICTS It is the intent of these Regulations that all areas within the jurisdictional limits of the City of Milford, including all buildings, land and water areas, shall be included in the Zoning Districts established by these Regulations.

SECTION 2.5 EFFECT OF ESTABLISHMENT OF DISTRICTS Following the effective date of these Regulations and except as hereinafter provided;

2.5.1 Building and Uses: No building, or part thereof, shall be constructed, reconstructed, extended or enlarged nor shall any land or building, or part thereof, be used, designed, or arranged to be used for any purpose or in any manner except in conformity with these Regulations.

2.5.2 Principal Building: Every building hereafter erected shall be located on a lot, and no more than one allowable principal building or a group of allowable principal buildings under the same ownership or sponsorship as part of an ownership arrangement, shall be located on a lot as herein defined.

2.5.3 Yards: No yard or open space area required in connection with any building use shall be considered as providing a required yard or open space area for any other building or any other lot.

2.5.4 New Lots: No lot shall be formed from part of a lot already occupied by a building unless such building, all yards and open spaces connected therewith, and the remaining lot comply with all requirements prescribed by these Regulations for the Zoning District in which said lot is located. Neither a Zoning Permit nor a Building Permit shall be issued for the erection of a building on any lot thus created unless such building and lot comply with all the provisions of these Regulations.

2.5.5 Lot Access and Rear Lots: No Zoning Permit or Building Permit shall be issued for any building unless the lot, upon which such building is to be erected, fronts on a municipally acceptable street, on an accepted public street, or on a street in an approved subdivision; except that one allowable industry in an applicable Zoning District or one single family dwelling in an applicable District may be permitted on a lot of one or more acres, provided that a private means of access of at least fifty feet in width for such industry or twenty-five feet in width for such dwelling, as applicable, shall be provided to an accepted public street or street in an approved subdivision. Such rear lots shall have 150 foot minimum lot width and depth, exclusive of accessways, and shall be generally rectangular in shape. This provision shall not be deemed to prevent the issuance of a Zoning Permit and Building Permit for farm or accessory buildings not designed or used for human occupancy. (Said access for such industry shall not be included in the required area of the lot or any other lot effective 5/7/76.)

2.5.6 Non-Conforming Plan, Construction or Use: Nothing contained in these Regulations shall require any change in the plans, construction, or designated use of a building complying with laws in force prior to the effective date of these Regulations, provided that:

2.5.6.1 The use shall be lawfully existing on the effective date of these Regulations; or

2.5.6.2 (1) A complete application for approval of a Zoning Permit shall have been made prior to the date of publication of notice of the public hearing on these Regulations or amendment thereto; and

(2) Construction as defined in accordance with said Zoning Permit shall be commenced within one year of its issuance and construction shall be completed within three years of the effective date of these Regulations or amendment thereto, unless an extension of time for completion is granted by the Board (effective 10/11/80).

(3) If an approved site plan and/or special permit contains multiple buildings, the construction of any major building will preclude the necessity of requesting an extension of time to complete the remaining project buildings (effective 10/11/80).

2.5.7 Flood Hazard Areas: All land areas situated below the regulatory flood protection elevation, defined herein, shall be subject to the Flood Hazard Regulations, Section 5.6 herein.

2.5.8 Historic District: On April 5, 1976, a Historic District and Historic District Commission were established. Any building or structure within the Historic District boundaries, which is to be erected, altered, restored, moved or demolished, shall require a Certificate of Appropriateness from the Milford Historic District Commission.

- (1) The certificate must be obtained prior to commencement of the activities described in this section.
- (2) A map of the Historic District Boundaries may be examined at the Office of the City Clerk.
- (3) Applicants contemplating activities described in Section 2.5.8 are urged to coordinate their proposals concurrently with both the Planning and Zoning Board and Historic District Commission.

SECTION 2.6 EFFECT OF ZONING CHANGES ON SUBDIVISIONS

Notwithstanding the provisions of these Regulations or any other City ordinance, when a change is adopted in the Zoning Regulations or boundaries of Zoning Districts, no lot or lots shown on a subdivision plan for residential property, which has been approved prior to the effective date of such change by the Planning and Zoning Board and recorded with the City Clerk, shall be required to conform to such change until a period of five years has elapsed from the effective date of such change.

ARTICLE III - DISTRICT USE REGULATIONS

SECTION 3.1 ONE FAMILY RESIDENTIAL DISTRICTS: R-AA, R-A, R-30, R-18, R-12.5, R-10, R-7.5 and R-5

3.1.1 Permitted Uses: Subject to all other applicable provisions and limitations of these Regulations, the Board shall permit the following buildings and uses in One Family Residential Districts.

3.1.1.1. One family detached dwelling, provided that the minimum required ground floor area shall be not less than 625 square feet and the minimum required total floor area shall not be less than 900 square feet (effective 3/7/80).

3.1.1.2 Earth Sheltered Dwellings: Subject to Site Plan Approval in accordance with ARTICLE VII, Earth Sheltered Dwellings shall be fully or mostly recessed with not more than two fully exposed sides excluding the roof (see definition).

Applicants electing to construct this type of single family residence shall include with their application, in addition to those requirements of 7.1, the following items:

- (1) Investigation report prepared by a professional engineer (registered in Connecticut) regarding proposed site drainage and the highest seasonal elevation attained by the water table on the site.
- (2) Design of the structure shall be certified by an architect/professional engineer (registered in Connecticut) at the discretion of the Building Inspector.
- (3) Applicants are, therefore, encouraged to discuss their design plans before applying to the Planning & Zoning Board for Site Plan Approval. (Entire section 3.11.2 effective 4/22/81.)

3.1.1.3 Farms, as defined herein.

3.1.1.4 Truck Gardens, Nurseries and Garden Centers, subject to Site Plan Review in accordance with ARTICLE VII, herein, and subject to the following:

- (1) Provided that only produce raised or grown on the premises is sold therefrom;
- (2) The sale by a nursery or garden center of plants, flowers and shrubs started elsewhere, but sold from an enclosed greenhouse, shall be allowed;
- (3) The lot size shall be not less than three (3) acres;
- (4) The buffer strip of not less than thirty (30) feet in width shall be provided adjacent to a residential district. (Subsections (2), (3), and (4) effective 2/9/85.)

3.1.1.5 Cluster Developments shall be permitted in R-AA, R-A, R-30, R-18 and R-12.5 Residential Districts only in accordance with Section 5.7 herein.

3.1.2 Special Uses: Subject to all other applicable provisions and limitations of these Regulations, the Board may permit the following building and uses, subject to Special Permit and Site Plan Approval in accordance with ARTICLE VII, herein.

3.1.2.1 Boarding, Lodging, and Rooming Houses subject to the following conditions and safeguards:

- (1) The owner shall reside therein.
- (2) A Certificate of Compliance with all applicable provisions of the State and City Building, Housing, Health and Sanitation Codes and Ordinances shall be obtained from the proper official for each dwelling unit and rooming unit.
- (3) At least 2,000 sq. ft. of lot area over and above the maximum required lot area of the applicable Zoning District, shall be required for each additional rooming unit over one.

3.1.2.2 Nursery School or Day Care Center.

3.1.2.3 Public and Parochial Schools.

3.1.2.4 Private Non-Profit Schools.

3.1.2.5 Private non-profit or charitable organizations, subject to the following conditions and safeguards:

- (1) The lot shall be at least three (3) acres.
- (2) The lot shall be located on an arterial street or major collector.
- (3) All buildings and parking areas, except those existing and approved for use under this section, shall be set back at lot line.
- (4) Only the principal building may have provisions for private kitchens, snack bars or similar accessory uses.
- (5) Outdoor public address systems shall be prohibited.
- (6) The site shall be suitably landscaped. The Board may require a suitable buffer strip to minimize visual impact upon the surrounding residential area. (Sub-section 1-6 effective 1/24/87.)
- (7) Lot coverage of up to 50% may be allowed for these uses. (Sub-section 1-7 effective 3/9/88.)

3.1.2.6 Churches and religious institutions.

3.1.2.7. Public charitable institutions.

3.1.2.8 Public and private hospitals, subject to the following conditions and safeguards:

- (1) The lot area for each eight patient beds shall not be less than the minimum required lot area of the applicable Zoning District.
- (2) The lot shall have direct access from an arterial street.

3.1.2.9 Convalescent home, nursing home or rest home, subject to the following conditions and safeguards:

- (1) The lot area for each four patient beds shall not be less than minimum required lot area of the applicable zoning district.

3.1.2.10 Libraries and community centers.

3.1.2.11 Other public buildings.

3.1.2.12 Cemeteries.

3.1.2.13 Golf Courses.

3.1.2.14 Parks, playgrounds and other public facilities.

3.1.2.15 Beach Clubs, subject to the following conditions and safeguards:

- (1) The lot area shall be at least two acres, except that the Board may permit lots of at least one acre where historic buildings exist and are found suitable for beach club purposes.
- (2) The lot shall have a shorefront location on a navigable, tidal waterbody or watercourse and shall have a sufficiently large shorefront boundary to provide suitable bathing, boating or other water connected activity.
- (3) All buildings, except those existing and approved for use under this section, shall be set back at least 50 feet from all street and lot lines and shall not cover more than 10 percent of the lot.
- (4) Only the principal club building may have provisions for restaurants, snack bars or similar accessory uses.
- (5) All sales of alcoholic liquor shall be prohibited.
- (6) All recreational areas, excluding permissible water connected activities and golf courses shall be set back at least 30 feet from all street and lot lines (effective 10/11/80).

- (7) All parking areas shall be set back at least 30 feet from all street and lot lines and shall not occupy more than 25 percent of the lot.
- (8) The club membership shall be limited by the number of parking spaces provided in accordance with Section 5.1.4. and the number of bath houses, lockers, cabanas or similar accessory structures designed to serve individuals shall be limited accordingly (effective 9/5/80).
- (9) No more than one single family dwelling may be located on any club site, provided, however, that the dwelling conforms to all the requirements of the zoning district in which it is located. Alternatively, one dwelling unit may be located in the club house for the use of the club manager or caretaker and his family.
- (10) Outdoor public address systems shall be prohibited.
- (11) The site shall be suitably landscaped. The Board may also require a suitable buffer strip and fence as may be necessary to reasonably safeguard the public health, safety and welfare of the neighborhood (effective 9/5/80).

3.1.2.16 Private boathouses, landings and docks, subject to the following conditions and safeguards:

- (1) The total number of boat slips, berths, moorings or similar spaces shall not exceed two per lot; and
- (2) Such boat facilities shall be designed for the exclusive use of the lot owner.

3.1.2.17 Public Utility Buildings and Facilities with completely enclosed service or storage areas.

3.1.2.18 Communication buildings, stations and towers subject to the following conditions and safeguards:

- (1) The lot area shall not be less than five (5) acres.
- (2) Any tower shall be set back from all street and lot lines by a distance equal to or greater than the height of such tower.
- (3) Any other building, structure or parking area shall be set back at least 50 feet from all street and lot lines.

3.1.2.19 Removal of or filling with earth products in accordance with the provisions of Section 5.5. herein.

3.1.2.20 Planned Residential Developments in R-AA, R-30, R-18, R-12.5, and R-10 Residential Districts only, in accordance with Section 5.8 herein.

3.1.2.21 Conversion of an existing building to accommodate a use allowed in the zoning district in which said building is located, subject to the following conditions and safeguards:

- (1) The building so converted shall conform, in all respects, to the use, lot and building, and supplementary regulations of the applicable zoning district.
- (2) The building so converted shall comply with all applicable provisions of the State and City Building Housing, Health, and Sanitation Codes and Ordinances, as approved by the proper official.
- (3) The building so converted shall be placed in a reasonable state of repair and modernization.

3.1.2.22 Other related or equivalent principal buildings and uses, which are not specifically listed, may be permitted by the Board in appropriate instances upon consideration of all factors entering into the design, nature and operation of such building and/or use.

3.1.2.23 Accessory buildings and uses clearly subordinate and customarily incidental to and located on the same lot with any of the foregoing principal uses shall be approved by the Board in the same manner as a permitted use, unless the Board requires a public hearing.

3.1.3 Accessory Uses: The following accessory uses shall be allowed:

3.1.3.1 A home business shall be defined as the principal or part-time activity pursuit conducted by the occupant(s) of a residence for remuneration.

3.1.3.2 A home business shall adhere to the following standards:

- (1) The home business shall be conducted by the owner occupant(s) of a single family dwelling.
- (2) There shall be not more than one nonresident assistant employed.
- (3) All work shall be confined to 50% of the cellar or 50% of the first floor of the dwelling. Operations may, however, be conducted in any detached or attached garage which meets or exceeds the setback requirements for a principal structure in the applicable district.
- (4) A home business shall utilize non-powered hand tools or appliances customarily found in a residential household.
- (5) Raw materials shall be brought to the dwelling only by the owner occupant and/or the nonresident assistant.
- (6) The product produced shall not be sold on the premises.



- (7) No raw materials or finished goods shall be stored outside.
- (8) Home business proprietors purporting to adhere to the above standards shall be required to provide written documentation satisfactory to the Zoning Enforcement Officer, where upon the Zoning Enforcement Officer shall decide whether to issue a Certificate of Zoning Compliance.

3.1.3.3 Any home business which does not meet the standards of Section 3.1.3.2 (1) - (7) may be permitted by the Board by Special Permit.

The Board may grant exceptions to any of the standards if it finds in its deliberations that:

- (1) Excessive traffic will not be generated.
- (2) The tranquillity of the immediate area will not be unduly disturbed.
- (3) The Board may consider the granting of a Special Permit on a trial basis.

(SECTIONS 3.1.3.1 through 3.1.3.3 effective 9/5/80)

3.1.3.4 Poultry coops and area subject to Site Plan Approval in accordance with ARTICLE VII, herein, and the following conditions and safeguards:

- (1) Poultry kept on any lot shall not exceed twenty birds, except when on a regularly operated farm, as defined herein; and
- (2) All poultry shall be fenced in so that the birds cannot pass or fly to another property.

3.1.3.5 Horses and ponies up to five in number may be kept on lots of one acre or more at the rate of one horse or pony per 2/3 acre. More than five horses may be kept on parcels over three acres, subject to Site Plan Approval in accordance with ARTICLE VII, herein. In addition the keeping of such animals shall be in accordance with the following conditions and safeguards.

- (1) No building for the housing of such animals shall be located closer than 50 feet from any lot line and 100 feet from a street.
- (2) Adequate fencing to confine such animals as follows:

Lot Size	Fence Setback Requirements from Prop. Lines		
	Front Yards	Side Yards	Rear Yards
Under 2 acres	80'	25'	15'
Over 2 acres	15'	25'	15'

(Sub-section (2) effective 8/7/82)

3.1.3.6 Private garage with space for not more than one vehicle for each 2,000 square feet of lot area and not exceeding three spaces.

- 3.1.3.7 Except on a regularly operated farm as is defined herein, there shall not be more than one commercial type vehicle garaged and it shall not exceed 3/4 ton capacity. (Performing maintenance on vehicles regulated by this section shall be prohibited. Maintenance shall include, but will not be limited to vehicle washing, changing oil, changing tires, tuning engines, etc. (effective 10/21/77).
- 3.1.3.8 One camp trailer, as defined herein, except that no occupancy of such vehicle shall be permitted while located in any front yard, nor within six feet of any lot line.
- 3.1.3.9 During regular school hours only, one school bus in current use for the transportation of Milford school children (effective 8/28/75).
- 3.1.3.10 Off-Street Parking and Loading in accordance with Section 5.1 herein.
- 3.1.3.11 Signs in accordance with Section 5.2, herein.
- 3.1.3.12 Other accessory uses clearly subordinate and customarily incidental to and located on the same lot with the principal use and that will not be hazardous to the public health, safety and welfare.
- 3.1.4 Lot and Building Requirements: Buildings and uses shall comply with all requirements of the applicable Zoning District in the Schedule of Lot and Building Requirements for One Family District on next page.
- 3.1.4.1 Schedule of Lot and Building Requirements for One Family Residential Districts . See page III-8.
- 3.1.5 Prohibited Uses: The following uses shall be expressly prohibited:
- 3.1.5.1 The use of an accessory building for residence purposes, except by domestic employees of the occupant of the premises.
- 3.1.5.2 The parking or storing of commercial-type vehicles on residential property except as permitted in Section 3.1.3.7, above.
- 3.1.5.3 A driveway or similar vehicular easement, not including public streets, in or through a Residential District for access to an office, business or industrial use or zoning district.
- 3.1.5.4 No part of any required parking area shall be used for the storage of new or used vehicles for sale or hire, or for the storage of unregistered vehicles.
- 3.1.5.5 Any building or use which will not comply with the Performance Standards of Section 5.9, herein.

3.1.4.1 SCHEDULE OF LOT AND BUILDING REQUIREMENTS FOR ONE FAMILY RESIDENTIAL DISTRICT

CATEGORIES	R-AA	R-A	R-30	R-18	R-12.5	R-10	R-7.5	R-5
<b>MINIMUM REQUIREMENTS</b>								
Lot Area (sq. ft.)	87,120	43,560	30,000	18,000	12,500	10,000	7,500	5,000
Lot Width (feet)	180	150	125	100	80	70	60	50
Lot Depth (feet)	200	150	135	125	100	100	85	70
<b>Principal Uses</b>								
Front Yard (feet)	50	50	50	40	30	25	20	*
One Side Yard (feet)	25	25	20	15	10	10	10	10
Both Side Yards (feet)	50	50	40	30	20	20	15	15
Rear Yard (feet)	50	50	40	30	25	25	25	20
<b>Accessory Buildings</b>								
Side Yard (feet)	15	15	15	10	4	4	4	4
Rear Yard (feet)	10	10	10	10	5	5	5	5
<b>MAXIMUM PERMITTED</b>								
Building Height Stories (excluding basement)	3	3	3	3	3	3	3	3
Feet (in height)	35	35	35	35	35	35	35	35
Building Area as % of Lot	10%	15%	20%	25%	30%	35%	40%	45%
Lot Coverage	20%	25%	30%	40%	45%	50%	60%	65%

\*Ten feet or the actual front yard setback, whichever is greater; except that the minimum required front yard shall not be required to exceed 20 feet.

SECTION 3.2 SINGLE FAMILY ATTACHED RESIDENTIAL DISTRICTS: SFA-20 SFA-10  
(Entire Section Revised - Effective 3/20/82)

3.2.1 Permitted Uses: Subject to Site Plan Review and all other applicable provisions and limitations of these Regulations, the Board shall permit the following buildings and uses in Single Family Attached Residential Districts.

3.2.1.1 Any building or use permitted and regulated in One Family Residential Districts, Section 3.1.1 herein.

3.2.1.2 Single Family Attached Dwellings provided that:

(1) The structure shall contain a minimum of 800 square feet on the ground floor and each dwelling shall contain within it a minimum floor area as follows:

(2) Floor Areas:

a) Efficiency Bedroom Unit	425 square feet
b) One Bedroom Unit	575 Square feet
c) Two Bedroom Unit	750 Square feet

(3) Bedrooms:

The Board shall determine which rooms shall be construed to be bedrooms.

(4) Utilities: No two family dwelling shall be approved by the Board unless each dwelling unit in such buildings is served by an approved public sanitary sewerage system or septic tank system.

(5) Driveways: Every driveway shall be located at least 2.5 feet from a side property line.

(6) Facades: A uniform texture and color shall be used for both units.

3.2.1.3 This regulation shall apply to subdivisions approved on or after January 1, 1975 (effective 9/25/82).

3.2.2 Special Uses: Subjected to all other applicable provisions and limitations of these Regulations, the Board may permit the following buildings and uses, subject to Special Permit and Site Plan Approval in accordance with ARTICLE VII, herein.

3.2.2.1 Any building or use as provided and regulated in One Family Residential Districts, Section 3.1.2 herein, except Single Family Attached dwellings.

3.2.2.2. Cluster developments in SFA-20 only, in accordance with Section 5.7 herein.

3.2.3 Accessory Uses: The following accessory uses shall be allowed.

3.2.3.1 A home business shall be defined as the principal or part-time activity pursuit conducted by the occupants of a residence for remuneration.

3.2.3.2 A home business shall adhere to the following standards:

- (1) The home business shall be conducted by the owner occupants of a single family attached dwelling.
- (2) All work shall be confined to 25% of the cellar or 25% of the first floor of the dwelling. Operations may, however, be conducted in any detached or attached garage which meets or exceeds the setback requirements for a principal structure in the applicable district.
- (3) A home business shall utilize non-powered hand tools or appliances customarily found in a residential household.
- (4) Raw materials shall be brought to the dwelling only by the owner occupant and/or the nonresident assistant.
- (5) The product produced shall not be sold on the premises.
- (6) No raw materials or finished goods shall be stored outside.
- (7) Home business proprietors purporting to adhere to the above standards shall be required to provide written documentation satisfactory to the Zoning Enforcement Officer, where upon the Zoning Enforcement Officer shall decide whether to issue a Certificate of Zoning Compliance.

3.2.3.3 Any home business which does not meet the standards of Section 3.2.3.2 (1) - (7) may be permitted by the Board by Special Permit.

The Board may grant exceptions to any of the standards if it finds in its deliberations that:

- (1) Excessive traffic will not be generated.
- (2) The tranquillity of the immediate area will not be unduly disturbed.
- (3) The Board may consider the granting of a Special Permit on a trial basis.

3.2.4 Lot and Building Requirements: See schedule (next page).

3.2.5 Prohibited Uses: Any building or use prohibited in Section 3.1.5 herein.

**SCHEDULE OF LOT AND BUILDING REQUIREMENTS FOR SINGLE FAMILY ATTACHED DWELLING DISTRICTS**  
 (Effective March 20, 1982)

**3.2.4 LOT AND BUILDING REQUIREMENTS** Buildings and uses shall comply with all lot and building requirement of the applicable Zoning District as set forth hereinafter.

	SFA-20		SFA-10		Double	
	(1) Minimum Area	Double Lot	(A)	(B)	(A)	(B)
3.2.4.1	8,000	20,000	12,000	10,000	4,000	6,000

- (2) Lot Width (feet)
- (3) Lot Depth (feet)

60 80  
100 100

(4) Given any odd sum of lots, the odd lot shall meet the lot A requirements. Both sides of the odd lot shall be required to meet the one side yard requirement.

**3.2.4.2 Minimum Yard Requirements**

- (1) **Principal Uses:**
  - a) Front Yard (feet) 40
  - b) One Side Yard (feet) 15
  - c) Other Side Yard (feet) 0
  - d) Rear Yard (feet) 30

20 10 0 25

- (2) **Accessory Buildings:**
  - a) Side Yards (feet) 15
  - b) Rear Yard (feet) 10

15 5

**3.2.4.3 Building Requirements:**

- (1) **Maximum Building Height:**
  - a) Stories 3
  - b) Feet 35
- (2) Building Areas as % of lot 25%
- (3) Lot Coverage 40%

3 35 35% 50%

Double Lot = Lot A + Lot B

SECTION 3.3 MEDIUM DENSITY & HIGH DENSITY MULTIPLE-FAMILY  
RESIDENTIAL DISTRICTS RMF-9, RMF-16 AND RMF-36

3.3.1 Permitted Uses: Subject to all other applicable provisions and limitations of these Regulations, the Board shall permit the following buildings and uses in Multiple-Family Residential Districts.

3.3.1.1 Any building or use permitted in One-Family Residential Districts, Section 3.1.1 herein.

3.3.2 Special Uses: Subject to all other applicable provisions and limitations of these Regulations, the Board may allow the following buildings and uses, subject to Special Permit approval in accordance with ARTICLE VII, herein.

3.3.2.1 Any building or use as provided and regulated in One-Family Residential Districts, Section 3.1.2 herein.

3.3.2.2 Multiple-Family dwellings under one sponsorship or ownership, whether owned and operated under rental apartment, cooperative, or condominium arrangement subject to the following conditions and safeguards:

- (1) Site Plan Requirement: A detailed landscaping plan shall be required showing all grading, drainage, fences, walls, shrub and tree plantings, and other landscaping features.
- (2) Exterior Lighting: Exterior lighting shall be provided by the applicant at all access points to street, parking areas, building entrances and elsewhere, where required for the safety of vehicular or pedestrian traffic.
- (3) Street Access: No Multiple-Family dwelling shall be approved by the Board unless the lot has suitable access to an adequate collector or arterial street. No zoning permit shall be issued by the Zoning Enforcement Officer for any Multiple-Family dwelling until any required street improvements have been suitably guaranteed.
- (4) Utilities: No Multiple-Families dwelling shall be approved by the Board unless each dwelling unit in such building is: (a) served by an approved public sanitary sewerage system; and (b) supplied with water from an adequate public water supply. No Certificate of Zoning Compliance shall be issued by the Zoning Enforcement Officer for any dwelling unit until such unit has been connected to said utilities.
- (5) Improvement Standards: Plans and specifications for the construction and/or improvement of all streets, curbs and gutters, sidewalks, storm drainage facilities, sanitary sewerage facilities, water supply facilities, electric and telephone facilities, and other improvements shall comply with all applicable City and State laws, codes, ordinances, and regulations, and shall be submitted to the Board for approval.

(6) Ownership and Maintenance: All private streets, parking areas, sidewalks, utilities, recreation facilities, open space areas, and other private improvements, facilities and areas shall be owned, maintained and operated by the applicant, owner, association or corporation without expense to the City. Legal documentation, satisfactory to the City Attorney, shall be submitted assuring the ownership, maintenance, and operation of such private improvements, facilities, and areas. Suitable restrictive covenants, particularly with regard to the minimum open space requirements, shall be included in all legal conveyances. The entire lot area of a multiple-family development shall, at all times, be maintained in a safe, sanitary and presentable condition.

3.3.3 Accessory Uses: The following accessory uses shall be allowed:

3.3.3.1 Accessory buildings and uses, such as golf courses, tennis courts, swimming pools, recreation facilities and buildings, meeting halls, maintenance, storage and utility buildings, parking garages, but not necessarily limited to these uses, shall be permitted for multiple-family dwellings when provided as an integral part of the overall development.

3.3.3.2 Accessory buildings and uses incidental to allowable uses other than multiple-family dwellings as provided in Section 3.1.3, herein.

3.3.3.3 Off-Street Parking and Loading: In accordance with Section 5.1., herein.

3.3.3.4 Signs: In accordance with Section 5.2, herein.

3.3.4 Lot and Building Requirements: Buildings and uses, exclusive of multiple-family dwellings, shall comply with the requirements of R-10 Residential Districts as set forth in the Schedule of Lot and Building Requirements, Section 3.1.4, herein. All multiple-family dwellings shall comply with all lot and building requirements as set forth hereinafter.

3.3.4.1 Minimum Lot Requirements: RMF-9                      RMF-16                      RMF-36

(1) Lot Area:	2 acres	43,560 sq. ft.	4 acres
(2) Lot Area per dwelling unit:			
(a) Efficiency bedroom units	3,600 sq. ft.	2,000 sq. ft.	900 sq. ft.
(b) One-Bedroom Unit	4,800 sq. ft.	2,700 sq. ft.	1,200 sq. ft.
(c) Two-Bedroom Unit	9,600 sq. ft.	5,400 sq. ft.	2,400 sq. ft.
(d) Three-Bedroom Unit	14,400 sq. ft.	8,100 sq. ft.	3,600 sq. ft.
(e) The Board shall determine which rooms may be constructed to be bedrooms.			
(3) Lot Width:	150 feet	150 feet	180 feet
(4) Lot Depth:	150 feet	150 feet	180 feet



3.3.4.2 Minimum Yard and Open Space Requirements:

(1) Principal Uses:

RMF-9 & RMF-16  
Minimum Front Yard shall be equal to the height of the wall of the building adjacent to said yard, but not less than 25 ft.; side & rear yards, 25 ft.

RMF-36  
Minimum Front, Side and Rear Yards shall be equal to the height of the wall of the building adjacent to said yard, but not less than 50 ft.

(2) Accessory Uses:

RMF-9 & RMF-16  
25 ft., except community buildings, swimming pools, and similar recreation facilities, 50 feet.

RMF-36  
25 ft., except community buildings, swimming pools, and similar recreation facilities, 50 feet.

(3) Usable Open Space Per Dwelling Unit:

	<u>RMF-9</u>	<u>RMF-16</u>	<u>RMF-36</u>
(a) Efficiency bedroom Unit:	500 sq. ft.	300 sq. ft.	225 sq. ft.
(b) One-bedroom unit:	700 sq. ft.	400 sq. ft.	300 sq. ft.
(c) Two-bedroom unit:	1,400 sq. ft.	800 sq. ft.	600 sq. ft.
(d) Three-bedroom unit:	2,100 sq. ft.	1,200 sq. ft.	900 sq. ft.
(e) The open space shall be in one contiguous piece or in sections of not less than 3,000 square feet and 50 feet in its least dimension.			
(f) Open space shall be properly laid out, graded, landscaped and suitably maintained and equipped for recreational purposes, as determined by the Board.			

3.3.4.3 Building Requirements:

(1) Design: There shall be no less than eight dwelling units per site complex. In addition, there shall be no less than three (3) units in any building. A completely enclosed storage area shall be provided for each dwelling unit, but it shall not be computed as part of the minimum required floor area for such dwelling unit.

(2) Length: No building shall exceed 160 feet in its greatest dimension, unless physical design considerations related to site conditions make this requirement impractical, as determined by the Board.

(3) Height:

RMF-9 & RMF-16  
Low-rise only; not to exceed 3 stories excluding basement, nor 35 feet.

RMF-36  
Mid-rise only; at least 5 full stories, excluding basement, but not to exceed 10 stories nor 120 feet in height.

3.3.4.3  
(cont.)

(4) Spacing: RMF-9 and RMF-16

The space between any buildings, principal or accessory, located on the same lot shall be not less than one-half the sum of the heights of the affected buildings; accessory parking structures designed in conjunction with a principal building shall be excluded from this requirement.

RMF-36

The space between any buildings, principal or accessory, located on the same lot shall be less than one-third the sum of the heights of the affected buildings, accessory parking structures designed in conjunction with a principal building shall be excluded from this requirement.

(5) Lot Coverage:

RMF-9  
30% maximum

RMF-16  
50% maximum

RMF-36  
70% maximum

(6) Minimum Floor Area Contained Within Each Dwelling Unit:

	<u>RMF-9</u>	<u>RMF-16</u>	<u>RMF-36</u>
(a) Efficiency bedroom unit:	425 sq. ft.	425 sq. ft.	425 sq. ft.
(b) One-bedroom unit:	575 sq. ft.	575 sq. ft.	575 sq. ft.
(c) Two-bedroom unit:	750 sq. ft.	750 sq. ft.	750 sq. ft.
(d) Three-bedroom unit:	925 sq. ft.	925 sq. ft.	925 sq. ft.
(e)	Not more than 50% of the total floor area of any dwelling unit shall be located in a basement.		No dwelling unit shall be located in a basement.

(7) Mixed Building Types: Notwithstanding any other provisions of this section, where a combination of low-rise and mid-rise buildings are proposed for a single site in an RMF-36 zone, all standards of the RMF-16 zone, including lot area per dwelling unit, shall apply to the units within low-rise buildings.

(8) In RMF-9 Districts, all parking except that provided for visitors, shall be under cover.

3.3.5 Prohibited Uses: Any building or use prohibited in Section 3.1.5, herein.

SECTION 3.4 RESIDENTIAL OFFICE DISTRICTS: RO

3.4.1 Permitted Uses: Subject to all other applicable provisions and limitation of these Regulations, the Board shall permit the following buildings and uses in Residential Office Districts.

3.4.1.1 Any building or use permitted in One-Family Residential Districts, Section 3.1.1, herein.

3.4.1.2 Subject to site plan approval in accordance with Section 3.4.1.3 and ARTICLE VII herein, offices for business, financial, professional and personal services and other similar offices, but excluding funeral homes and music and dance studios.

3.4.1.3 Mixed use buildings containing allowable offices and dwelling units, subject to the following condition and safeguards:

(1) Such buildings and uses shall be subject to site plan approval in accordance with 3.4.1.4 and ARTICLE VII. herein.

(2) No mixed use building shall have more than 50% of the total gross floor area devoted to residential use nor shall the maximum number of efficiency units be greater than two (2) (effective 4/6/85).

(3) Each dwelling unit shall comply with the following minimum floor area requirements:

- |                                 |                 |
|---------------------------------|-----------------|
| (a) Efficiency bedroom unit:    | 425 square feet |
| (b) One-bedroom unit:           | 575 square feet |
| (c) Two-bedroom unit:           | 750 square feet |
| (d) Three or more bedroom unit: | 925 square feet |
- plus 175 square feet for each additional bedroom over three (3).

3.4.1.4 Use Conditions: All office and mixed use buildings shall be subject to the following additional conditions and safeguards.

(1) Site Plan Requirement: Any application for new buildings or structural alterations shall be accompanied by building plans, floor plans and elevations prepared by a Registered Architect and/or Professional Engineer and by a detailed landscaping plan showing all grading, drainage, fences, walls, shrub and tree plantings, and other landscaping features.

(2) Exterior Lighting: Only exterior lighting of a type, nature and intensity approved by the Board shall be permitted on the premises. Permitted exterior lighting shall be provided by the applicant only at locations deemed necessary for public safety as determined by the Board.

- (3) **Street Access:** No office use shall be approved by the Board unless the lot has suitable access to an adequate collector or arterial street.

**3.4.2 Special Uses:** Subject to all other applicable provisions and limitations of these Regulations, the Board may permit the following buildings and use, subject to Special Permit and Site Plan Approval in accordance with Sec. 3.4.1.4 and ARTICLE VII, herein.

**3.4.2.1** Any building or use as provided and regulated in One-Family Residential Districts, Section 3.1.2, herein.

**3.4.3 Accessory Uses:** The following accessory uses shall be allowed:

**3.4.3.1** Any accessory building or use in conjunction with principal uses as provided in One-Family Residential District, Sec. 3.1.2 herein, except those listed in Section 3.1.2.1., boarding, lodging and rooming houses.

**3.4.3.2** Accessory storage in conjunction with an allowable office use, of merchandise, materials and supplies within completely enclosed buildings.

**3.4.3.3** Accessory buildings and uses clearly subordinate and customarily incidental to and located on the lot with the principal use.

**3.4.3.4** **Off-Street Parking and Loading:** In accordance with Section 5.1, herein; except that off-street parking, loading and vehicular access areas shall be provided in the manner and to the extent determined by the Board to be adequate for any office use, notwithstanding the applicable provisions of Section 5.1.4, herein.

**3.4.3.5** **Signs:** In accordance with Section 5.2, herein.

**3.4.4 Lot and Building Requirements:** Building and uses shall comply with all lot and building requirements as set forth hereinafter.

**3.4.4.1** **Minimum Lot Requirements:**

- |                |                    |
|----------------|--------------------|
| (1) Lot Area:  | 10,000 square feet |
| (2) Lot Width: | 70 feet            |
| (3) Lot Depth: | 100 feet           |

**3.4.4.2** **Minimum Yard and Open Space Requirements:**

- |                                 |         |
|---------------------------------|---------|
| (1) <b>Principles Uses:</b>     |         |
| (a) Front Yard:                 | 20 feet |
| (b) Side Yard:                  | 10 feet |
| (c) Rear Yard:                  | 25 feet |
| (2) <b>Accessory Buildings:</b> |         |
| (a) Front Yard:                 | 4 feet  |
| (b) Rear Yard:                  | 5 feet  |

- (3) Accessory Uses: Front yards for parking and loading areas shall not be less than 20 feet.
- (4) Usable Open Space per Dwelling Unit:
  - (a) Efficiency bedroom unit: 300 square feet
  - (b) One-bedroom unit: 500 square feet
  - (c) Two-bedroom unit: 1,000 square feet
  - (d) Three or more bedroom unit: 1,500 square feet plus 500 square feet for each additional bedroom over three (3)
  - (e) The open space so set aside for any mixed use building shall be properly laid out, graded, and suitably landscaped, as determined by the Board.
- (5) Buffer Strip: At least 10 feet adjacent to any other Residential District; except that the Board may substitute appropriate fencing of suitable type and height which shall be installed and maintained by the applicant to effectively screen the use from adjoining Residential Districts.

#### 3.4.4.3 Building Requirements:

- (1) Design: Office and mixed use buildings shall be designed in such a manner as to be compatible with the lot and in harmony with the general character and appearance of the surrounding neighborhood.
- (2) Length: Office and mixed use buildings shall not be of such unreasonable length as to adversely affect the general character and appearance of the surrounding neighborhood.
- (3) Height: No building or structure shall exceed three (3) stories nor 35 feet in height.
- (4) Building Area: A maximum of 35 percent.
- (5) Lot Coverage: A maximum of 70 percent.

3.4.5 Prohibited Uses: Any building or use prohibited in Single Residential Districts, Section 3.1.5, herein.

- 3.4.5.1 No merchandise, material, supplies, or other products shall be manufactured, fabricated, processed or assembled on the premises of any office or mixed use.

SECTION 3.5 LIMITED OFFICE DISTRICTS: LO

3.5.1 Permitted Uses: Subject to all other applicable provisions and limitations of these Regulations, the Board shall permit the following buildings and uses in Limited Office Districts.

3.5.1.1. Any building or use permitted in One-Family Residential Districts, Section 3.1.1, herein:

3.5.1.2 Subject to Site Plan approval in accordance with Sec. 3.5.1.4 and ARTICLE VII herein, offices for executive, professional or administrative purposes.

3.5.1.3 Subject to Site Plan approval in accordance with Sec. 3.5.1.4 and ARTICLE VII, herein, computer centers housing data processing, accounting and similar types of equipment and business machines and related facilities, equipment and machines.

3.5.1.4 Use Conditions: All of the above Permitted Uses shall be subject to the following conditions and safeguards:

- (1) Site Plan Requirements: A detailed landscaping plan shall be required showing all grading, drainage, fences, walls, shrub and tree plantings and other landscaping features.
- (2) Exterior Lighting: Exterior lighting shall be provided by the applicant at all access points to streets, parking areas, building entrances and elsewhere, where required for safety of vehicular or pedestrian traffic.
- (3) Street Access: No office use shall be approved by the Board unless the lot and/or subdivision has suitable access to an adequate collector or arterial street.
- (4) Utilities: No office use shall be approved by the Board unless the building is:
  - (a) Served by an adequate public sanitary sewerage system, community subsurface sewage disposal system, or private, individual sewage disposal facilities approved by the Health Administrator; and
  - (b) Supplied with water from an adequate public water supply, community water supply, or private individual wells and approved by the Health Administrator.

3.5.2 Special Uses: Subject to all other applicable provisions and limitations of these Regulations, the Board may allow the following buildings and uses, subject to Special Permit and Site Plan Approval in accordance with Sec. 3.5.1.4 and ARTICLE VII, herein.

3.5.2.1 Any building or use as provided and regulated in One-Family Residential Districts, Section 3.1.2, herein, excluding 3.1.2.20, Planned Residence Development.

3.5.3 Accessory Uses: The following accessory uses shall be allowed:

- 3.5.3.1 Any accessory building or use in conjunction with principal uses as provided in One-Family Residential Districts, Section 3.1.3, herein.
- 3.5.3.2 Accessory storage of merchandise, materials and supplies within completely enclosed buildings, in conjunction with allowable uses, of merchandise, materials and supplies.
- 3.5.3.3 Accessory buildings and uses clearly subordinate and customarily incidental to and located on the same lot with the principal use.
- 3.5.3.4 Off-Street Parking and Loading: In accordance with Section 5.1, herein; except that off-street parking, loading and vehicular access areas shall be provided in the manner and to the extent determined by the Board to be adequate for any office use, notwithstanding the applicable provisions of Section 5.1.4, herein.
- 3.5.3.5 Signs: in accordance with Section 5.2, herein.

3.5.4 Lot and Building Requirements: Buildings and uses, exclusive of office buildings computer centers, shall comply with the requirements of R-AA Residential Districts set forth in the Schedule of Lot and Building Regulations, Section 3.1.4, herein. Office buildings and computer centers shall comply with all lot and building requirements set forth hereinafter.

3.5.4.1 Minimum Lot Requirements:

- (1) Lot Area: 2 acres
- (2) Lot Width: 180 feet
- (3) Lot Depth: 180 feet

3.5.4.2. Minimum Yard and Open Space Requirements:

- (1) Principal Uses:
  - (a) Front Yard: 50 feet
  - (b) Side Yard: 25 feet or 50 feet in contiguous to any Residential District.
  - (c) Rear Yard: 50 feet
- (2) Accessory Uses: Front, side and rear yards for all accessory uses, exclusive of signs, shall not be less than the principal use yard requirements.
- (3) Open Space: At least 50 percent of the actual lot area shall be suitably landscaped and/or left in its natural state.

3.5.4.3. Building Requirements:

- (1) Design: Buildings shall be designed in such a manner as to be compatible with the lot and in harmony with the general character and appearance of the surrounding neighborhood.
- (2) Length: No building shall exceed 160 feet in its greatest dimension, unless physical site conditions make this requirement impractical or unreasonable, as determined by the Board.
- (3) Height: No building or structure shall exceed 35 feet in height.
- (4) Spacing: Group buildings on a single lot shall be so arranged that the minimum distance between principal and/or accessory buildings shall be equal to or greater than one-half the sum of the heights of the affected buildings.
- (5) Floor Area Ratio: A maximum of 0.3 FAR, exclusive of accessory parking garages and structures.

3.5.5 Prohibited Uses: Any building or use prohibited in One-Family Residential Districts, Section 3.1.5, herein.

3.5.5.1 No merchandise, material, or supplies or other products shall be manufactured, fabricated, processed or assembled on the premises of any office or computer center.

3.5.5.2 No land shall be subdivided for residential purposes.



SECTION 3.6 DESIGN OFFICE DISTRICTS: DO-10 AND DO-25

3.6.1 Permitted Uses: Subject to all other applicable provisions and limitations of these Regulations, the Board shall permit the following buildings and uses in Design Office Districts.

3.6.1.1 Any building or use permitted in One-Family Residential Districts, Section 3.1.1., herein.

3.6.2 Special Uses: Subject to all other applicable provisions and limitations of these Regulations, the Board may allow the following buildings and uses, subject to Special Permit and Site Plan Approval in accordance with ARTICLE VII, herein.

3.6.2.1 Any building or use as provided and regulated in Limited Office Districts, Sections 3.5.1.2, 3.5.1.3, and 3.5.2, herein.

3.6.2.2 Scientific or research laboratories devoted to research, design, and/or experimentation.

3.6.2.3 Use Conditions: All of the above Special Uses shall be subject to the following additional conditions and safeguards:

- (1) Site Plan Requirements: Any application for new buildings or structural alterations shall be accompanied by building plans, floor plans and elevations prepared by a Registered Architect and/or Professional Engineer and by a detailed landscaping plan showing all grading, drainage, fences, walls, shrub and tree plantings, and other landscaping features.
- (2) Exterior Lighting: Exterior lighting shall be provided by the applicant at all access points to streets, parking areas, building entrances and elsewhere, where required for safety of vehicular or pedestrian traffic.
- (3) Street Access: No use shall be approved by the Board unless the lot and/or subdivision has suitable access to an adequate major collector or arterial street.
- (4) Utilities: No use shall be approved by the Board unless the building is:
  - (a) served by an adequate public sanitary sewerage system, community subsurface sewage disposal system, or private, individual sewage disposal facilities approved by the Health Administrator; and
  - (b) supplied with water from an adequate public water supply, community water supply or private, individual wells approved by the Health Administrator.

3.6.3 Accessory Uses: The following accessory uses shall be allowed:

3.6.3.1 Any accessory building or use in conjunction with principal uses as provided in One-Family Residential Districts, Section 3.1.3, herein.

3.6.3.2 Accessory buildings and uses for principal office uses may include the following:

- (1) Medical clinics, gift shops, restaurants, concession stands, recreation facilities and other similar uses for the exclusive use of employees and offices.
- (2) Converting, altering, finishing, cleaning, assembly or other processing of products which is clearly subordinate and customarily incidental to the principal use and where goods so produced or processes are used or sold exclusively on the premises; provided that the area used for such purposes shall be within a completely enclosed building, and it will not be detrimental to nearby residential uses.

3.6.3.3 Accessory storage of merchandise, materials and supplies within completely enclosed buildings.

3.6.3.4 Other accessory buildings and uses clearly subordinate and customarily incidental to and located on the same lot with the principal use.

3.6.3.5 Off-Street Parking and Loading: In accordance with Section 5.1, herein; except that off-street parking, loading and vehicular access areas shall be provided in the manner and to the extent determined by the Board to be adequate for any office use, notwithstanding the applicable provisions of Section 5.1.4, herein.

3.6.3.6 Signs: In accordance with Section 5.2, herein.

3.6.4 Lot and Building Requirements: Buildings and uses, exclusive of office buildings, computer centers and research laboratories, shall comply with the requirements of R-AA Residential Districts as set forth in the Schedule of Lot and Building Regulations, Section 3.1.4, herein. Office buildings, computer centers, and research laboratories shall comply with all lot and building requirements for the applicable Zoning Districts, as set forth hereinafter.

3.6.4.1 Minimum Lot Requirements:	<u>DO-10</u>	<u>DO-25</u>
(1) Lot Area:	10 contiguous acres	25 contiguous acres
(2) Lot Width:	300 feet	400 feet
(3) Lot Depth:	300 feet	400 feet

3.6.4.2 Minimum Yard and Open Space Requirements:

(1) Principal Uses:	<u>DO-10</u>	<u>DO-25</u>
(a) Front Yard:	100 feet	200 feet
(b) Side Yard:	100 feet	200 feet
(c) Rear Yard:	100 feet	200 feet
(d) The Board may reduce any yard which abuts a limited access highway to not less than 50 feet.		

(2) Accessory Uses:

(a) Front, side and rear yards for parking, loading, and vehicular access areas shall not be less than one-half the applicable principal use yard requirements.

(b) Front, side and rear yards for all other accessory uses, exclusive of signs, shall not be less than the applicable principal use yard requirements.

(3) Open Space: At least 50 percent of the actual lot area shall be suitably landscaped and/or left in its natural state.

3.6.4.3 Building Requirements:

(1) Design: All buildings shall be designed in such a manner as to be compatible with the lot and in harmony with the general character and appearance of the surrounding neighborhood.

(2) Length: Buildings shall not be of such unreasonable length as to adversely affect the general character and appearance of the surrounding neighborhood.

(3) Height:

(a) DO-10: No building or structure shall exceed 35 feet in height.

(b) DO-25: No building or structure shall exceed 60 feet in height.

(4) Spacing: Group buildings on a single lot shall be so arranged that the minimum distance between principal and/or accessory, buildings shall be equal to or greater than one-half of the sum of the heights of the affected buildings; exclusive of accessory parking structures which are designed to function in conjunction with the principal building.

(5) Floor Area Ratio:

DO-10 and DO-25: A maximum of 0.2 FAR, exclusive of accessory parking garages and structures.

3.6.5 Prohibited Uses: Any building or use prohibited in Single Family Residential Districts, Section 3.1.5, herein.

SECTION 3.7 BOATING BUSINESS DISTRICTS: BB

3.7.1 Permitted Uses: Subject to all other applicable provisions and limitations of these Regulations, the Board shall permit the following buildings and uses in Boating Business Districts.

3.7.1.1. Any building or use permitted in One-Family Residential Districts, Section 3.1.1, herein.

3.7.2 Special Uses: Subject to all other applicable provisions and limitations of these Regulations, the Board may allow the following buildings and uses. Subject to Special Permit and Site Plan approval, in accordance with ARTICLE VII, herein.

3.7.2.1 Any building or use as provided and regulated in One-Family Residential Districts, Section 3.1.2, herein.

3.7.2.2 Boat clubs, marinas and yards subject to the following conditions and safeguards:

- (1) Health and Sanitation: The use shall comply with all applicable provisions of the State and City Building, Housing, Health, and Sanitation Codes and Ordinances, as approved by the proper Official. Adequate toilet facilities shall be provided on the lot and shall be located so as to be easily accessible to boat owners and guests.
- (2) Filling and Dredging: The use shall comply with all applicable provisions of the Earth Fill and Removal Regulations, Section 5.5, herein.
- (3) Flood Hazards: The use shall comply with all applicable provisions of the Flood Hazard Regulations, Section 5.6, herein.
- (4) Site Plan Requirements: A detailed landscaping plan shall be required showing all grading, drainage, fences, walls, shrub and tree plantings, and other landscaping features.
- (5) Exterior Lighting: Exterior lighting shall be provided by the applicant at all access points to streets, parking areas, building entrances and elsewhere, where required for safety of vehicular or pedestrian traffic, except that no lighting shall be directed on to navigable waterbodies or watercourses.
- (6) Utilities: No use shall be approved by the Board unless the lot is served by an approved public sanitary sewage system.

3.7.3 Accessory Uses: The following accessory uses shall be allowed.

3.7.3.1 Any accessory building or use in conjunction with principal uses as provided in One-Family Residential Districts, Section 3.1.3, herein.

3.7.3.2 Accessory buildings and uses for principal boat clubs, marinas, and yards may include the following:

- (1) A boat way, ramp or dock.
- (2) Fuel filling facilities for boats.
- (3) Commercial garage for boats.
- (4) A vehicle dealership for boats.
- (5) A vehicle repair and/or service garage for boats.
- (6) Any special facility for the overhaul, repair and/or service of boats, shall be stored in a completely enclosed building when required by the Board.
- (7) A boat storage yard subject to the limitations of Section 3.7.5.3, herein.
- (8) Buildings to house storage lockers.
- (9) A building for retail sales of boating equipment, material and supplies.
- (10) A restaurant, subject to the applicable provisions of Section 5.4, herein.
- (11) A refreshment stand or snack bar attached to or inside the principal building with a seating capacity not to exceed eight (8) seats per acre of the lot.

3.7.3.3 Other accessory buildings and uses clearly subordinate and customarily incidental to and located on the same lot with the principal use.

3.7.3.4 Off-Street Parking and Loading: In accordance with Section 5.1, herein; except that off-street parking, loading and vehicular access areas shall be provided in the manner and to the extent determined by the Board to be adequate for any boating use, notwithstanding the applicable provisions of Section 5.1.4, herein.

3.7.3.5 Signs: In accordance with Section 5.2, herein.

3.7.4 Lot and Building Requirements: Buildings and uses, exclusive of boat clubs, marinas, and yards, shall comply with the requirements of R-12.5 Residential Districts as set forth in the Schedule of Lot and Building Regulations, Section 3.1.4, herein. Boat clubs, marinas and yards shall comply with all lot and building requirements as set forth hereinafter.

3.7.4.1 Minimum Lot Requirements:

- (1) Lot area: 2 acres
- (2) Lot width: 150 feet at the established building setback line for the actual front yard
- (3) Lot depth: 200 feet
- (4) Street frontage: 50 feet
- (5) Water frontage: 150 feet, if desirable

3.7.4.2 Minimum Yard and Open Space Requirements:

- (1) Principal Uses:
  - (a) Front Yard: 30 feet
  - (b) Side Yard: Optional only for the portion abutting navigable water; otherwise 30 feet.
  - (c) Rear Yard: Optional only for the portion abutting navigable water; otherwise 30 feet.
- (2) Accessory Uses: Front, side and rear yards for all accessory uses, exclusive of signs, shall not be less than the established principal use yard requirements.
- (3) Buffer Strip: An adequate buffer strip shall be provided adjacent to any Residential District. Said buffer strip shall be equal to or greater than 10 percent of the actual lot width for side yards or actual lot depth for rear yards, whichever is applicable, but not less than 30 feet.

3.7.4.3 Building Requirements:

- (1) Design: Buildings shall be designed in such a manner as to be compatible with the lot and in harmony with the general character and appearance of the surrounding neighborhood.
- (2) Length: Buildings shall not be of such unreasonable length as to adversely affect the general character and appearance of the surrounding neighborhood.
- (3) Height: No building or structure shall exceed two (2) stories nor fifty (50) feet in height, provided that such building or structure shall be setback from all abutting streets and properties a distance equal to or greater than the actual height of such building or structure.
- (4) Spacing: Group buildings on a single lot shall be so arranged that the minimum distance between principal and/or accessory buildings shall be equal to or greater than one-half the sum of the heights of the affected buildings.
- (5) Lot Coverage: A maximum of 75 percent.

(6) Floor Area: The minimum aggregate floor area for buildings shall not be less than one (1) percent of the actual lot area.

3.7.5 Prohibited Uses: Any building or use prohibited in One-Family Residential Districts, Section 3.1.5, herein.

3.7.5.1 No part of any parking or loading area shall be used for the storage of any boats or boat trailers.

3.7.5.2 No sale of alcoholic liquor shall be permitted; except for accessory restaurants.

3.7.5.3 The Board may restrict or prohibit outdoor storage during the winter in areas where such outdoor boat storage would, in its judgment, be objectionable or hazardous to adjoining residential or public areas.

SECTION 3.8 GENERAL OFFICE DISTRICTS: GO

3.8.1 Permitted Uses: Subject to all other applicable provisions and limitations of these Regulations, the Board shall allow the following buildings and uses in General Office Districts, subject to site plan approval in accordance with ARTICLE VII, herein, and subject to the following additional conditions and safeguards:

- (1) Site Plan Requirement: Any application for new buildings or structural alterations shall be accompanied by building plans, floor plans and elevations prepared by a Registered Architect and/or professional engineer and by a detailed landscaping plan showing all grading, drainage, fences, walls, shrub and tree plantings and other landscaping features.
- (2) Exterior Lighting: Only exterior lighting of a type, nature, and intensity approved by the Board shall be permitted on the premises. Permitted exterior lighting shall be provided by the applicant only at locations deemed necessary for public safety and determined by the Board.
- (3) Street Access: No use shall be approved by the Board unless the lot has suitable access to an adequate collector or arterial street.

3.8.1.1 Any building or use permitted in one family residential districts, Section 3.1.1, herein.

3.8.1.2 Office for business, financial, professional and personal services and other similar offices.

3.8.1.3 Mixed use buildings containing retail business for personal services subject to the following conditions and safeguards:

- (1) Business uses shall be permitted only at the first floor or basement levels and shall be subject to the limitations of Sections 3.8.5, 3.9.1 and 3.9.2 herein.
- (2) Business uses shall not exceed 1/3 of the entire floor area of principal uses located on the same lot.
- (3) At least 1/3 of the entire floor area of principal uses located on the same lot shall be for office use.

3.8.1.4 Mixed Use Buildings containing dwelling units, subject to the following conditions and safeguards:

- (1) No mixed use building shall have more than 50% of the total gross floor area devoted to residential use.
- (2) At least 1/3 of the entire floor area of principal uses located on the same lots shall be for office use.



3.8.1.4.(cont.)

- (3) Each dwelling unit shall comply with the following minimum floor area requirements:
- (4) (a) Efficiency bedroom unit: 425 square feet
- (b) One-bedroom unit: 575 square feet
- (c) Two-bedroom unit: 750 square feet
- (d) No unit shall contain more than three bedrooms.
- (e) The Board shall construe which rooms shall be deemed to be bedrooms.

3.8.1.5 Business Schools including teaching of shorthand, typing, bookkeeping, office skill, accounting, computer sciences, language skill and similar activities as determined by the Planning and Zoning Board; but not including uses included or construed by the Board to be included in Commercial Schools as defined in Section 11.2, herein (effective 1/23/76).

3.8.1.6 Eating Places, subject to the provisions of Section 5.4 where applicable (effective 3/25/76).

3.8.2 Special Uses: Subject to all other applicable provisions and limitations of these Regulations, the Board may allow the following buildings and uses, subject to Special Permit and Site Plan Approval in accordance with Section 3.8.1 and ARTICLE VII, herein.

3.8.2.1 Any building or use as provided and regulated in One-Family Residential Districts, Section 3.1.2, herein.

3.8.2.2 Restaurants subject to the provisions of Section 5.4, where applicable.

3.8.3 Accessory Uses: The following accessory uses shall be allowed.

3.8.3.1 Any accessory building of use in conjunction with principal uses provided in One-Family Residential Districts, Section 3.1.3, herein.

3.8.3.2 Converting, altering, finishing, cleaning assembly or other processing of products which is clearly subordinate and customarily incidental to the principal use and where goods so produced or processed are used on or sold exclusively on the premises provided that the areas used for such purposes shall be within a completely enclosed building and shall not exceed 25% of the floor area of the principal use.

3.8.3.3 Accessory storage of merchandise, material, and supplies within completely enclosed buildings in conjunction with allowable uses, of merchandise materials and supplies.

3.8.3.4 Other accessory buildings and uses clearly subordinate and customarily incidental to and located on the same lot with the principal use.

3.8.3.5 Off-Street Parking and Loading: In accordance with Section 5.1, herein: except that off-street parking, loading and vehicular access areas shall be provided in the manner and to the extent determined by the Board to be adequate for any office or mixed use, notwithstanding the applicable provisions of Section 5.1.4, herein.

3.8.3.6 Signs: In accordance with Section 5.2, herein.

3.8.4 Lot and Building Requirements: Buildings and uses shall comply with all lot and building requirements as set forth hereinafter.

3.8.4.1 Minimum Lot Requirements:

- (1) Lot Area: 10,000 square feet
- (2) Lot Width: 70 feet
- (3) Lot Depth: 100 feet

3.8.4.2 Minimum Yard and Open Space Requirements:

- (1) Principal Uses:
  - (a) Front Yard: 20 feet
  - (b) Side Yard: 10 feet
  - (c) Rear Yard: 25 feet
- (2) Accessory Buildings:
  - (a) Side Yard: 4 feet
  - (b) Rear Yard: 5 feet
- (3) Accessory Uses: Front yards for parking and loading areas for any office or mixed use shall not be less than ten (10) feet.
- (4) Usable Open Space per Dwelling Unit:
  - (a) Efficiency bedroom unit: 300 square feet
  - (b) One-bedroom unit: 400 square feet
  - (c) Two-bedroom unit: 800 square feet
  - (d) No unit shall contain more than two (2) bedrooms. The Board shall determine which rooms may be construed to be bedrooms.
  - (e) The open spaces so set aside for any mixed use building shall be properly laid out, graded, and suitably landscaped, as determined by the Board.
- (5) Buffer Strip: At least ten (10) feet adjacent to any Residential District: except that the Board may substitute appropriate fencing of suitable type and height which shall be installed and maintained by the applicant to effectively screen the use from adjoining Residential Districts.

3.8.4.3 Building Requirements:

- (1) Design: Buildings shall be designed in such a manner as to be compatible with the lot and in harmony with the general character and appearance of the surrounding neighborhood.

- (2) Length: Buildings shall not be of such unreasonable length as to adversely affect the general character and appearance of the surrounding neighborhood.
- (3) Height: No building or structure shall exceed three (3) stories nor 35 feet in height.
- (4) Spacing: Group buildings on a single lot shall be so arranged that the minimum distance between principal and/or accessory buildings shall be equal to or greater than one-half the sum of the heights of the affected buildings.
- (5) Building Areas: A maximum of 40 percent.
- (6) Lot Coverage: A maximum of 80 percent.

**3.8.5 Prohibited Uses:** The following uses shall be expressly prohibited:

- 3.8.5.1 Any building or use prohibited in One-Family Residential District Section 3.1.5, herein.
- 3.8.5.2 No sale of alcoholic liquor shall be permitted; except in eating places.
- 3.8.5.3 No Health Centers or clubs, including reducing salons, steam baths or similar uses shall be permitted.
- 3.8.5.4 No display of goods or sales outdoors from open counters or with curb service shall be permitted; except during seasonal sidewalk sales.
- 3.8.5.5 No drive-in establishment shall be permitted, except for drive-in banks.
- 3.8.5.6 No carry-out food service shall be permitted.
- 3.8.5.7 No commercial garage, gasoline station, vehicle repair and/or service garage, vehicle dealership, vehicle washing establishments, or other similar use shall be permitted.
- 3.8.5.8 No wholesale or distribution; warehouse or storage; junk yard; or outside storage yards shall be permitted.
- 3.8.5.9 No trucking terminal facilities for handling freight or material with or without maintenance facilities shall be permitted; except for clearly subordinate and customarily incidental delivery departments or off-street loading facilities operated by business concerns for their own use.
- 3.8.5.10 No principal manufacturing, fabricating, assembling or processing of goods or products shall be permitted.
- 3.8.5.11 No other building or use which may be inconvenient or detrimental to the general character and appearance of the surrounding neighborhood or impair the value thereof or which shall be inconsistent with the City Development Plan and policy for future development of the area shall be permitted.

SECTION 3.9 LIMITED BUSINESS DISTRICTS: LB-50, LB-10 & LB-2

3.9.1 Permitted Uses: Subject to all other applicable provisions and limitations of these Regulations, the Board shall permit the following buildings and uses in Limited Business Districts, subject to Site Plan Approval in accordance with ARTICLE VII, herein.

- 3.9.1.1 Any building or use permitted in one family residential districts, Section 3.1 herein.
- 3.9.1.2 Stores for sale of goods or establishments for performance of allowable personal services.
- 3.9.1.3 Offices for business, financial, professional and personal services and other similar offices.
- 3.9.1.4 Self-service laundry not using steam, provided that the floor area shall not exceed 3,000 square feet per establishment.
- 3.9.1.5 Dry cleaning establishment, provided that the floor area shall not exceed 3,000 square feet per establishment.
- 3.9.1.6 Mixed use buildings containing permitted business and or offices.
- 3.9.1.7 Mixed use buildings containing dwelling units, subject to the following conditions and safeguards:
  - (1) No mixed use building shall have more than 50% of the total gross floor area devoted to residential use (effective 11/24/85).
  - (2) Each dwelling unit shall comply with the following minimum floor area requirements:
    - (a) Efficiency bedroom unit 425 square feet
    - (b) One bedroom unit 575 square feet
    - (c) Two bedroom unit 750 square feet
    - (d) Three or more bedroom units 925 square feet
    - (e) Plus 175 square feet for each bedroom over three (3).
- 3.9.1.8 Sale of alcoholic liquor in package, drug and grocery stores subject to the applicable provisions of Sec. 5.4, herein (effective 8/28/75).
- 3.9.1.9 Eating places, without facilities for banquets, group meetings, conventions or entertainment, subject to the provisions of Sec. 5.4, where applicable (effective 3/25/76).

3.9.2 Special Uses: Subject to all other applicable provisions and limitations of these Regulations, the Board may allow the following buildings and uses, subject to Special Permit and Site Plan Approval in accordance with ARTICLE VII, herein, and subject to the following:

- (1) Site Plan Requirement: A detailed landscaping plan shall be required showing all grading, drainage, fences, walls, shrub and tree plantings, and other landscaping features.
- (2) Exterior Lighting: Exterior lighting shall be provided by the applicant at all access points to streets, parking areas, building entrances and elsewhere, where required for safety of vehicular or pedestrian traffic.
- (3) Street Access: No use shall be approved by the Board unless the lot has suitable access to an adequate collector or arterial street.

3.9.2.1 Clubs, lodges and fraternal organizations may be allowed subject to the following conditions and safeguards and provisions of Sec. 5.4, where applicable:

- (1) All principal buildings shall be set back at least 50 feet from any Residential District boundary.
- (2) All off street parking areas shall be set back at least 25 feet from any Residential District boundary.
- (3) No such use shall create any traffic hazard or nuisance to residential areas.
- (4) Appropriate landscaping and screening shall be installed and suitably maintained (effective 3/25/76).

3.9.2.2 Printing and publishing establishments, except in LB-2 Zones.

3.9.2.3 Funeral Home and Mortuary, except in LB-2 Zones.

3.9.2.4 Public Utility Buildings and facilities with completely enclosed service or storage areas.

3.9.2.5 Mixed use buildings containing one or more allowable Special Uses.

3.9.2.6 Accessory buildings and uses clearly subordinate and customarily incidental to and located on the same lot with any of the foregoing special uses may be approved by the Board in the same manner as Permitted Uses, unless the Board requires a public hearing.

3.9.2.7 Vehicle repair and/or service garage subject to all applicable provisions of Section 5.3 herein (effective 2/7/77).

3.9.3 Accessory Uses: The following accessory uses shall be allowed.

3.9.3.1 Converting, altering, finishing, cleaning, assembly or other processing of products which is clearly subordinate and customarily incidental to the principal use and where goods so produced or processed are used or sold exclusively on the premises; provided that the area used for such purposes shall

3.9.3.1 (cont.)

be within a completely enclosed building and shall not exceed 25% of the floor area of the principal use.

3.9.3.2 Accessory storage of merchandise, materials and supplies within completely enclosed buildings, or within completely fenced and screened areas.

3.9.3.3 Other accessory buildings and uses which are clearly subordinate and customarily incidental to and located on the same lot with the principal use.

3.9.3.4 Off-Street Parking and Loading: In accordance with Section 5.1 herein.

3.9.3.5 Signs: In accordance with Section 5.2, herein.

3.9.4 Lot and Building Requirements: Buildings and uses shall comply with all lot and building requirements for the applicable Zoning District as set forth hereinafter.

3.9.4.1 Minimum Lot Requirements:

	<u>LB-50</u>	<u>LB-10</u>	<u>LB-2</u>
(1) Lot Area	50,000 sq. ft.	10,000 sq. ft.	2,000 sq. ft.
(2) Lot Width	180 feet	50 feet.	20 feet
(3) Lot Depth	200 feet	100 feet	70 feet

3.9.4.2 Minimum Yard and Open Space Requirements:

(1) Principal Uses	<u>LB-50</u>	<u>LB-10</u>	<u>LB-2</u>
(a) Front Yard	25 feet	25 feet	20 feet
(b) Side & Rear Yards	25 feet	10 feet	None req. but at least 4 feet if provided.

(2) Accessory Buildings:

	<u>LB-50</u>	<u>LB-10</u>	<u>LB-2</u>
(a) Front Yard	Same as for Principal Uses.		
(b) Side Yard	10 ft.	4 ft.	None req. but at least 4 feet if provided.
(c) Rear Yard	25 ft.	5 ft.	Same as side yard

(3) Accessory Uses:

- (a) LB-50: Front, side and rear yards for parking, loading and vehicular access areas shall not be less than 20 feet.
- (b) LB-10: Front, side and rear yards for parking, loading and vehicular access areas shall not be less than 10 feet.
- (c) LB-2: Front, side and rear yards are not required, if provided at least 4 feet.

(4) Unusable Open Space per Dwelling Unit: LB-50, LB-10, and LB-2

- (a) Efficiency bedroom unit 300 sq. ft.
- (b) One bedroom unit 500 sq. ft.
- (c) Two bedroom unit 1,000 sq. ft.
- (d) Three or more bedroom unit 1,500 sq. ft.
- (e) Plus 500 sq. ft. for each additional bedroom over three.
- (f) The open space so set aside for any mixed use building shall be properly laid out, graded and suitably landscaped as determined by the Board.

(5) Buffer Strip:

- (a) LB-50: At least 25 feet adjacent to any Residential District for the first 25 off-street parking spaces, or any portion thereof, plus an additional amount of buffer strip equal in width to the side yard requirement for accessory buildings in the adjacent Residential District for each additional 15 off-street parking spaces, or major fraction thereof, up to a minimum of ten (10) such additional widths of buffer strip; except that such additional widths of buffer strips shall comply with the R-5 Residential District side yard requirement for accessory buildings when adjacent to RMF-16 and RMF-36 Residential Districts.
- (b) LB-10 & LB-2: At least ten (10) feet adjacent to any Residential District, except that the Board may substitute appropriate fencing of suitable type and height which shall be installed and maintained by the applicant to effectively screen the use from adjoining Residential Districts.

3.9.4.3 Building Requirements:

- (1) Design: Buildings shall be designed in such a manner as to be compatible with the lot and in harmony with the general character and appearance of the surrounding neighborhood.
- (2) Length: Buildings shall not be of such unreasonable length as to adversely affect the general character and appearance of the surrounding neighborhood.
- (3) Height:
  - (a) LB-50 & LB-10 No building or structure shall exceed 30 feet in height.
  - (b) LB-2 No building or structure shall exceed 24 feet in height.

- (4) Spacing: Group buildings on a single lot shall be so arranged that the minimum distance between principal and/or accessory building shall be equal to or greater than one-half the sum of the heights of the affected buildings.
- (5) Floor Area: A maximum of 5,000 square feet per establishment, except for a supermarket which shall not exceed 12,000 square feet.
- (6) Floor Area Ratio:
  - (a) LB-50 A maximum of 0.4 F.A.R.
  - (b) LB-10 & LB-2 A maximum of 0.5 F.A.R.

3.9.5 Prohibited Uses: The following uses shall be expressly prohibited.

- 3.9.5.1 No two-family dwelling shall be permitted, except in allowable mixed use buildings.
- 3.9.5.2 No health center or club, including reducing salons, steam baths and similar uses shall be permitted.
- 3.9.5.3 No display of goods or sales outdoors or from open counters or with curb service shall be permitted; except during seasonal sidewalk sales.
- 3.9.5.4 No drive-in establishment shall be permitted; except for drive-in banks.
- 3.9.5.5 No carry-out prepared food service shall be permitted.
- 3.9.5.6 No commercial garage, gasoline station, vehicle repair and/or service garage, vehicle dealership, vehicle washing establishments, or other similar use shall be permitted.
- 3.9.5.7 No parking or loading area shall be used for the storage of new or used vehicles for sale or hire or for the storage of unregistered vehicles.
- 3.9.5.8 No principal warehouse or storage, junk yard, or outside storage yards shall be permitted.
- 3.9.5.9 No trucking distribution centers or other principal terminal facilities for handling freight or material with or without maintenance facilities shall be permitted; except for clearly subordinate and customarily incidental delivery departments or off-street loading facilities operated by business concerns for their own use.
- 3.9.5.10 No principal manufacturing, fabricating, assembling or processing of goods or products shall be permitted.



- 3.9.5.11 Any building or use which will not comply with the Performance Standards of Section 5.9, shall be prohibited.
- 3.9.5.12 No other building or use which may be inconvenient or detrimental to the general character and appearance of the surrounding neighborhood or impair the value thereof or which shall be inconsistent with the City Development Plan and policy for future development of the area shall be allowed.

SECTION 3.10 CENTRAL BUSINESS DISTRICTS: CBD

3.10.1 Permitted Uses: Subject to all other applicable provisions and limitations of these Regulations, the Board shall permit the following buildings and uses in Central Business Districts, subject to Site Plan Approval in accordance with ARTICLE VII, herein.

3.10.1.1 Stores for sale of goods or for performance of personal services, but not including health centers or clubs, including reducing salons, steam baths and similar uses.

3.10.1.2 Food and beverage service establishments without the sale of alcoholic liquor; except as otherwise provided herein.

3.10.1.3 Offices for business, financial, professional and personal services and other similar offices.

3.10.1.4 Dry cleaning or dyeing establishments using non-flammable solvents; provided that the floor area shall not exceed 3,000 square feet per establishment, and subject to approval of the cleaning solvents by the Fire Department and approval of the method of waste disposal by the Department of Public Works and Health.

3.10.1.5 Printing and publishing establishments; provided that the floor area shall not exceed 3,000 sq. ft. per establishment.

3.10.1.6 Off-street parking garages and lots.

3.10.1.7 Mixed use buildings containing two or more permitted uses.

3.10.1.8 Mixed use building containing dwelling units, subject to the following conditions and safeguards:

(1) No mixed use building shall have more than 50% of the total gross floor area devoted to residential use (effective 11/14/85).

(2) Each dwelling unit shall comply with the following minimum floor area requirements:

- |  |                 |
|--|-----------------|
| (a) Efficiency bedroom unit                              | 425 square feet |
| (b) One bedroom unit                                     | 575 square feet |
| (c) Two bedroom unit                                     | 750 square feet |
| (d) Three or more bedroom units                          | 925 square feet |
| (e) Plus 175 sq. ft. for each additional bedroom over 3. |                 |

3.10.1.9 Sale of alcoholic liquor subject to the applicable provisions of Section 5.4 herein (effective 3/25/76).

3.10.1.10 Eating places containing a minimum floor area of 2,000 sq. ft. subject to the provisions of Sec. 5.4 where applicable, not withstanding Sec. 5.4.1.2 & 5.4.4.1 (effective 3/25/76).

3.10.2 Special Uses: Subject to all other applicable provisions and limitations of these Regulations, the Board may allow the following building and uses, subject to Special Permit and Site Plan Approval, in accordance with ARTICLE VII.

- 3.10.2.1 Clubs, lodges and fraternal organizations in accordance with the provisions of Section 3.9.2.1, herein (effective 3/25/76).
- 3.10.2.2 Funeral home and mortuary.
- 3.10.2.3 Indoor places of entertainment, amusement, recreation or assembly such as theatres, clubs, museums, art galleries, billiard rooms, bowling alleys and other similar indoor uses.
- 3.10.2.4 Hotels and motels containing a minimum of ten (10) rooming units; subject to the following conditions and safeguards:
  - (1) Rooming Units: Each rooming unit shall have a minimum floor area of 250 square feet and shall contain private bathing, lavatory and flush toilet facilities. No rooming unit shall contain kitchen or cooking facilities.
  - (2) Common Floor Area: There shall be provided lobby and common floor area, excluding hallways, equal to at least 5% of the total floor area of all rooming units, but not less than 300 square feet.
  - (3) Site Plan Requirements: Any application for new buildings or structural alterations shall be accompanied by building plans, floor plans and elevations prepared by a Registered Architect and/or Professional Engineer, and by a detailed landscaping plan showing all grading, drainage, fences, walls, shrub and tree plantings, and other landscaping features.
  - (4) Utilities: No hotel or motel shall be approved by the Board unless the building is served by an approved public sanitary sewerage system.
  - (5) Lot Area Per Rooming Unit: A minimum of 1,100 square feet.
- 3.10.2.5 Commercial schools, as defined herein.
- 3.10.2.6 Health Center or clubs, including reducing salons, steam baths and similar uses.
- 3.10.2.7 Public Charitable Institutions, churches and religious institutions.
- 3.10.2.8 Parks, Playgrounds and other Public Facilities; library, community center and other public buildings.
- 3.10.2.9 Railroad, bus, taxi, and other similar passenger terminals and stations.

SECTION 3.10 CENTRAL BUSINESS DISTRICTS: CBD

3.10.1 Permitted Uses: Subject to all other applicable provisions and limitations of these Regulations, the Board shall permit the following buildings and uses in Central Business Districts, subject to Site Plan Approval in accordance with ARTICLE VII, herein.

3.10.1.1 Stores for sale of goods or for performance of personal services, but not including health centers or clubs, including reducing salons, steam baths and similar uses.

3.10.1.2 Food and beverage service establishments without the sale of alcoholic liquor; except as otherwise provided herein.

3.10.1.3 Offices for business, financial, professional and personal services and other similar offices.

3.10.1.4 Dry cleaning or dyeing establishments using non-flammable solvents; provided that the floor area shall not exceed 3,000 square feet per establishment, and subject to approval of the cleaning solvents by the Fire Department and approval of the method of waste disposal by the Department of Public Works and Health.

3.10.1.5 Printing and publishing establishments; provided that the floor area shall not exceed 3,000 sq. ft. per establishment.

3.10.1.6 Off-street parking garages and lots.

3.10.1.7 Mixed use buildings containing two or more permitted uses.

3.10.1.8 Mixed use building containing dwelling units, subject to the following conditions and safeguards:

(1) No mixed use building shall have more than 50% of the total gross floor area devoted to residential use (effective 11/14/85).

(2) Each dwelling unit shall comply with the following minimum floor area requirements:

(a) Efficiency bedroom unit 425 square feet

(b) One bedroom unit 575 square feet

(c) Two bedroom unit 750 square feet

(d) Three or more bedroom units 925 square feet

(e) Plus 175 sq. ft. for each additional bedroom over 3.

3.10.1.9 Sale of alcoholic liquor subject to the applicable provisions of Section 5.4 herein (effective 3/25/76).

3.10.1.10 Eating places containing a minimum floor area of 2,000 sq. ft. subject to the provisions of Sec. 5.4 where applicable, not withstanding Sec. 5.4.1.2 & 5.4.4.1 (effective 3/25/76).

3.10.2 Special Uses: Subject to all other applicable provisions and limitations of these Regulations, the Board may allow the following building and uses, subject to Special Permit and Site Plan Approval, in accordance with ARTICLE VII.

- 3.10.2.1 Clubs, lodges and fraternal organizations in accordance with the provisions of Section 3.9.2.1, herein (effective 3/25/76).
- 3.10.2.2 Funeral home and mortuary.
- 3.10.2.3 Indoor places of entertainment, amusement, recreation or assembly such as theatres, clubs, museums, art galleries, billiard rooms, bowling alleys and other similar indoor uses.
- 3.10.2.4 Hotels and motels containing a minimum of ten (10) rooming units; subject to the following conditions and safeguards:
  - (1) Rooming Units: Each rooming unit shall have a minimum floor area of 250 square feet and shall contain private bathing, lavatory and flush toilet facilities. No rooming unit shall contain kitchen or cooking facilities.
  - (2) Common Floor Area: There shall be provided lobby and common floor area, excluding hallways, equal to at least 5% of the total floor area of all rooming units, but not less than 300 square feet.
  - (3) Site Plan Requirements: Any application for new buildings or structural alterations shall be accompanied by building plans, floor plans and elevations prepared by a Registered Architect and/or Professional Engineer, and by a detailed landscaping plan showing all grading, drainage, fences, walls, shrub and tree plantings, and other landscaping features.
  - (4) Utilities: No hotel or motel shall be approved by the Board unless the building is served by an approved public sanitary sewerage system.
  - (5) Lot Area Per Rooming Unit: A minimum of 1,100 square feet.
- 3.10.2.5 Commercial schools, as defined herein.
- 3.10.2.6 Health Center or clubs, including reducing salons, steam baths and similar uses.
- 3.10.2.7 Public Charitable Institutions, churches and religious institutions.
- 3.10.2.8 Parks, Playgrounds and other Public Facilities; library, community center and other public buildings.
- 3.10.2.9 Railroad, bus, taxi, and other similar passenger terminals and stations.

- 3.10.2.10 Public Utility Buildings and Facilities with completely enclosed service or storage areas.
- 3.10.2.11 Mixed use buildings containing one or more Special Uses.
- 3.10.2.12 Accessory buildings and uses clearly subordinate and customarily incidental to and located on the same lot with any of the foregoing special uses may be approved by the Board in the same manner as a Permitted Use, unless the Board requires a public hearing.
- 3.10.3 Accessory Uses: The following accessory uses shall be allowed:
- 3.10.3.1 Converting, altering, finishing, cleaning, assembly or other processing of products which is clearly subordinate and customarily incidental to the principal use and where goods so produced or processes are used or sold exclusively on the premises; provided that the area used for such purposes shall be within a completely enclosed building.
- 3.10.3.2 Accessory outside storage of equipment, merchandise, materials and supplies which is clearly subordinate and customarily incidental to the principal use and where goods so stored are used or sold exclusively on the premises; provided that the area used for outside storage shall be effectively screened on all sides by appropriate structures, fencing, walls, or landscaping of suitable type, density and height, as determined by the Board.
- 3.10.3.3 Accessory buildings and uses for principal hotels and motels may include the following:
- (1) Facilities for conventions and/or group meetings.
  - (2) A restaurant, subject to the applicable provisions of Section 5.4, herein.
  - (3) An inside concession stand for the sale of refreshments, tobacco products, souvenirs and similar items.
  - (4) A swimming pool or other recreation facilities.
- 3.10.3.4 Other accessory buildings and uses which are clearly subordinate and customarily incidental to and located on the same lot with the principal use, and that will not be hazardous to the public health, safety and welfare.
- 3.10.3.5 Off-Street Parking and Loading in accordance with Section 5.1, herein; except that off-street parking, loading, and vehicular access areas shall be provided in the manner and to the extent determined by the Board to be adequate for any mixed use building, notwithstanding the applicable provisions of Section 5.1.4, herein.

3.10.3.6 Signs: In accordance with Section 5.2, herein.

3.10.4 Lot and Building Requirements: Buildings and uses shall comply with all lot and building requirements as set forth hereinafter.

3.10.4.1 Minimum Lot Requirements:

- (1) Lot Area: 2,000 square feet
- (2) Lot Width: 20 feet
- (3) Lot Depth: 70 feet

3.10.4.2 Minimum Yard and Open Space Requirements:

- (1) Principal Uses:
  - (a) Front Yard: 10 feet
  - (b) Side and Rear Yards: None required, but at least 4 feet, if provided.
- (2) Accessory Buildings: Side and rear yards are not required, but shall be at least 4 feet if provided. Front yard same as for principal uses.
- (3) Accessory Uses: Side and rear yards are not required, but shall be at least 4 feet if provided. Front yard, none required.
- (4) Buffer Strip: At least 10 feet adjacent to any Residential District; except that the Board may substitute appropriate fencing of suitable type and height which shall be installed and maintained by the applicant to effectively screen the use from adjoining Residential Districts.

3.10.4.3 Building Requirements:

- (1) Design: Buildings shall be designed in such a manner as to be compatible with the lot and in harmony with the general character and appearance of the surrounding neighborhood.
- (2) Length: Buildings shall not be of such unreasonable length as to adversely affect the general character and appearance of the surrounding neighborhood.
- (3) Height: No building or structure shall exceed three (3) stories nor 40 feet in height.
- (4) Spacing: Group buildings on a single lot shall be so arranged that the minimum distance between principal and/or accessory buildings shall be equal to or greater than one-third the sum of the heights of the affected buildings; exclusive of parking structures which are designed to function in conjunction with a principal building.

(5) Building Area: A maximum of 50 percent or less as required by off-street parking and loading regulations.

(6) Floor Area Ratio: A maximum of 1.5 FAR, exclusive of accessory parking garages and structures.

3.10.5 Prohibited Uses: The following uses shall be expressly prohibited:

3.10.5.1 No dwellings or dwelling units shall be permitted; except in allowable mixed use buildings and for accommodations for watchmen, caretakers, or custodians in conjunction with a principal use on the same premises.

3.10.5.2 No drive-in establishment shall be permitted; except for drive-in banks.

3.10.5.3 No commercial garage, gasoline station, vehicle repair and/or service garage, vehicle dealership, vehicle washing establishment or other similar use shall be permitted; except for accessory gasoline stations.

3.10.5.4 No parking or loading area shall be used for the storage of new or used vehicles for sale or hire; or for the storage of unregistered vehicles.

3.10.5.5 No principal warehouse or storage; junkyard; or principal outside storage yards shall be permitted.

3.10.5.6 No trucking distribution centers or other principal terminal facilities for handling freight or material with or without maintenance facilities shall be permitted; except for clearly subordinate and customarily incidental delivery departments or off-street loading facilities operated by business concerns for their own use.

3.10.5.7 No principal manufacturing, fabricating, assembling or processing of goods or products shall be permitted.

3.10.5.8 Any building or use which will not comply with the Performance Standards of Section 5.9 shall be prohibited.



SECTION 3.11 GENERAL BUSINESS DISTRICT: GB

3.11.1 Permitted Uses: Subject to all other applicable provisions and limitations of these Regulations, the Board shall permit the following buildings and uses in General Business Districts, subject to Site Plan Approval in accordance with ARTICLE VII, herein.

- 3.11.1.1 Stores for sale of goods or for performance of personal services.
- 3.11.1.2 Food and beverage service establishments, without the sale of alcoholic liquor, except as otherwise provided herein.
- 3.11.1.3 Offices for business, financial professional and personal services and other similar offices.
- 3.11.1.4 Funeral home and mortuary.
- 3.11.1.5 Building equipment, merchandise, materials and supply businesses provided that the principal use is within a completely enclosed building.
- 3.11.1.6 Printing and publishing establishments; provided that the floor area shall not exceed 3,000 square feet per establishment.
- 3.11.1.7 Metal, woodworking and other similar shops and repair services provided that the floor area shall not exceed 3,000 square feet per shop.
- 3.11.1.8 Self-service laundry; provided that the floor area shall not exceed 1,000 square feet per establishment.
- 3.11.1.9 Dry cleaning or dyeing establishments using non-flammable solvents; provided that the floor area shall not exceed 3,000 square feet per establishment and subject to approval of the cleaning solvents by the Fire Department and approval of the method of waste disposal by the Department of Public Works and Health.
- 3.11.1.10 Veterinary hospitals.
- 3.11.1.11 Off-street parking garages and lots.
- 3.11.1.12 Mixed use buildings containing two or more Permitted Uses.
- 3.11.1.13 Mixed use buildings containing dwelling units, subject to the following conditions and safeguards:
  - (1) No mixed use building shall have more than 50% of the total gross floor area devoted to residential use (effective 11/24/85).

(2) Each dwelling unit shall comply with the following minimum floor area requirements:

- (a) Efficiency bedroom unit 425 square feet
- (b) One bedroom unit 575 square feet
- (c) Two bedroom unit 750 square feet
- (d) Three or more bedroom units 925 square feet
- (e) Plus 175 square feet for each additional bedroom over three.

3.11.1.14 Sale of alcoholic liquor subject to the applicable provisions of Section 5.4 herein (effective 3/25/76).

3.11.1.15 Commercial schools as defined herein.

3.11.1.16 Health centers or clubs, including reducing salons, steam baths or other similar uses.

3.11.1.17 Outdoor places of entertainment, amusement, recreation or assembly such as an archery range, miniature golf, golf driving range, open air theater and other similar open space uses.

3.11.1.18 Drive-in establishments, as defined herein and including retail sales with curb service and carry out food service.

3.11.1.19 Eating places containing a minimum floor area of 2,000 square feet subject to the provisions of Section 5.4 herein, notwithstanding Sections 5.4.4.1 and 5.4.1.2 (effective 3/25/76).

3.11.2 Special Uses: Subject to all other applicable provisions and limitations of these Regulations, the Board may allow the following buildings and uses, subject to Special Permit and Site Plan Approval in accordance with ARTICLE VII herein.

3.11.2.1 Commercial garage, gasoline station, vehicle repair and/or service garage, vehicle dealership, vehicle washing establishment, and other similar uses; subject to all applicable provisions of Section 5.3 herein.

3.11.2.2 Boating businesses, clubs, marinas and yards.

3.11.2.3 Hotels and motels containing a minimum of ten (10) rooming units; subject to the following conditions and safeguards:

- (1) Rooming Units: Each rooming unit shall have a minimum floor area of 250 square feet and shall contain private bathing, lavatory and flush toilet facilities. No rooming unit shall contain kitchen or cooking facilities.
- (2) Common Floor Area: There shall be provided lobby and common floor area, excluding hallways, equal to at least 5% of the total floor area of all rooming units, but not less than 300 square feet.

- (3) Site Plan Requirements: Any application for new buildings or structural alterations shall be accompanied by building plans, floor plans and elevations prepared by a Registered Architect and/or Professional Engineer and by a detailed landscaping plan showing all grading, drainage, fences, walls, shrub and tree plantings, and other landscaping features.
- (4) Utilities: No hotel or motel shall be approved by the Board unless the building is served by an approved public sanitary sewerage system, or private on-site septic system approved by the Health Administrator.
- (5) Minimum Lot Requirements: Lot Area: one acre: Lot Area per rooming unit: 1,100 square feet; Lot Width, 150 feet; Lot Depth 200 feet.
- (6) Minimum Yard and Open Space Requirements:
  - (a) Principal Uses: Front yard: 50 feet, side and rear yards: 10 feet or 25 feet if contiguous to any Residential District.
  - (b) Accessory Uses: Front, side and rear yards for parking, loading and vehicular access areas shall not be less than 10 feet. Front, side and rear yards for other accessory uses, exclusive of signs, shall not be less than the principal use yard requirements.
  - (c) Buffer Strip: A Buffer Strip shall be required in accordance with Section 3.11.4.2 (4) herein.
- (7) Building Requirements: Building requirements shall be subject to the provisions of Section 3.11.4.3 herein; except that the building area shall not exceed 25 percent.

- 3.11.2.4 Clubs, lodges and fraternal organizations in accordance with the provisions of Section 3.9.2.1 herein (effective 3/25/76).
- 3.11.2.5 Churches and religious institutions.
- 3.11.2.6 Public Charitable Institutions.
- 3.11.2.7 Library, community center and other public buildings.
- 3.11.2.8 Parks, playgrounds and other public facilities.
- 3.11.2.9 Railroad, bus, taxi, and other similar passenger terminals and stations.
- 3.11.2.10 Public utility buildings and facilities.

- 3.11.2.11 Mixed use buildings containing one or more Special Uses.
- 3.11.2.12 Indoor places of entertainment, amusement, recreation or assembly, such as theaters, billiard rooms, bowling and other similar indoor uses (effective 3/20/82).
- 3.11.2.13 Accessory buildings and uses clearly subordinate and customarily incidental to and located on the same lot with any of the foregoing special uses may be approved by the Board in the same manner as a Permitted Use, unless the Board requires a public hearing. Those not complying with 3.11.3.2 shall require a Special Permit.
- 3.11.3 Accessory Uses: The following accessory uses shall be allowed:
- 3.11.3.1 Converting, altering, finishing, cleaning, assembly or other processing of products which is clearly subordinate and customarily incidental to the principal use and where goods so produced or processed are used or sold exclusively on the premises; provided that the area used for such purposes shall be within a completely enclosed building.
- 3.11.3.2 Accessory outside storage of equipment, merchandise, materials and supplies which is clearly subordinate and customarily incidental to the principal use and where goods so stored are used or sold exclusively on the premises; provided that the area used for outside storage shall be limited to 15% of the lot area and shall be effectively screened on all sides by appropriate structures, fencing, walls or landscaping of suitable type, density and height, as determined by the Board.
- 3.11.3.3 Other accessory buildings and uses which are clearly subordinate and customarily incidental to and located on the same lot with the principal use, and that will not be hazardous to the public health, safety and welfare.
- 3.11.3.4 Off-Street Parking and Loading in accordance with Section 5.1, herein; except that off-street parking, loading, and vehicular access shall be provided in the manner and to the extent determined by the Board to be adequate for any mixed use building notwithstanding the applicable provisions of Section 5.1.4, herein.
- 3.11.3.5 Signs: In accordance with Section 5.2, herein.
- 3.11.4 Lot and Building Requirements: Buildings and uses shall comply with all lot and building requirements as set forth hereinafter.

3.11.4.1 Minimum Lot Requirements:

- (1) Lot Area: 10,000 square feet
- (2) Lot Width: 50 feet
- (3) Lot Depth: 100 feet

3.11.4.2 Minimum Yard and Open Space Requirements:

(1) Principal Uses:

- (a) Front Yard: 20 feet
- (b) Side & Rear Yards: None required, but at least 4 feet if provided.

(2) Accessory Buildings:

Front Yard same as for principal uses. Side and rear yards are not required, but shall be at least four (4) feet, if provided.

(3) Usable Open Space Per Dwelling Unit:

Section 3.8.4.2 (4) herein shall apply.

(4) Buffer Strip:

An adequate buffer strip shall be provided adjacent to any Residential District. Said buffer strip shall be equal to or greater than 10% of the average lot width for side yards or average lot depth for rear yards, whichever is applicable but not less than 20 feet; except that the Board may substitute, for a required 10 foot buffer, appropriate fencing of suitable type and height which shall be installed and maintained by the applicant to effectively screen the use from adjoining Residential Districts.

3.11.4.3 Building Requirements:

- (1) Design: Buildings shall be designed in such a manner as to be compatible with the lot and in harmony with the general character and appearance of the surrounding neighborhood.
- (2) Length: Buildings shall not be of such unreasonable length as to adversely affect the general character and appearance of the surrounding neighborhood.
- (3) Height: No building or structure shall exceed 40 feet in height.

- (4) Spacing: Group buildings on a single lot shall be so arranged that the minimum distance between principal and/or accessory buildings shall be equal to or greater than one-third the sum of the heights of the affected buildings; exclusive of parking structures which are designed to function in conjunction with a principal building.
- (5) Building Area: A maximum of 50 percent or less as required by off-street parking and loading regulations.
- (6) Floor Area Ratio: A maximum of 1.0 FAR, exclusive of accessory parking garages and structures.

3.11.5 Prohibited Uses: The following uses shall be expressly prohibited:

- 3.11.5.1 No dwellings or dwelling units shall be permitted except in allowable mixed use buildings and for accommodations for watchmen, caretakers or custodians in conjunction with a principal use on the same premises.
- 3.11.5.2 No required parking or loading area shall be used for the storage of new or used vehicles for sale or hire, or for the storage of unregistered vehicles.
- 3.11.5.3 No principal warehouse or storage; junk yard; or principal outside storage yards shall be permitted.
- 3.11.5.4 No trucking terminal facilities for handling freight or material with or without maintenance facilities shall be permitted; except for clearly subordinate and customarily incidental delivery departments or off-street loading facilities operated by business concerns for their own uses.
- 3.11.5.5 No principal manufacturing, fabricating, assembling or processing of goods or products shall be permitted.
- 3.11.5.6 Any building or use which will not comply with the Performance Standards of Section 5.9 shall be prohibited.

SECTION 3.12 SHOPPING CENTER DESIGN DISTRICTS: SCD

3.12.1 Permitted Uses: All uses permitted in Shopping Center Design Districts shall be deemed to be Special Uses.

3.12.2 Special Uses: Subject to all other applicable provisions and limitations of these Regulations, the Board may permit the following buildings and uses, subject to Special Permit and Site Plan Approval in accordance with ARTICLE VII, herein.

- 3.12.2.1 Mixed uses containing allowable businesses, offices, and multi-family dwelling units; subject to the limitations of Section 3.3 medium density and high density multi-family residential districts (RMF): subject to the limitations of Section 3.12.4.3 herein, and provided that the minimum lot area utilized for multi-family dwelling units shall not be less than 20 acres (effective 8/23/88).
- 3.12.2.2 Multi-Family Dwelling Units as provided and regulated in Section 3.3 medium density and high density multi-family residential districts, subject to the limitations of Section 3.12.4.3, herein, and provided that the minimum lot area shall not be less than 20 acres (effective 8/23/88).
- 3.12.2.3 Offices for business, financial, professional and personal services and other similar offices.
- 3.12.2.4 Hotels and motels as provided and regulated in Central Business Districts, Sections 3.10.2.4 and 3.10.3.3 thereof.
- 3.12.2.5 A retail store containing at least 40,000 square feet of floor area.
- 3.12.2.6 A shopping center containing at least 60,000 square feet of floor area and containing stores for sale of goods at retail or for performance of personal services clearly subordinate and customarily incidental to retail sales.
- 3.12.2.7 Eating places subject to the provisions of Section 5.4 where applicable (effective 3/25/76).
- 3.12.2.8 Sale of alcoholic liquor, subject to the applicable provisions of Section 5.4 herein.
- 3.12.2.9 Stores for sale of goods at wholesale.
- 3.12.2.10 Indoor places of entertainment, amusement, recreation or assembly such as theaters, billiard rooms, bowling alleys and other similar indoor uses. A public hearing shall be required for all uses designated in this subsection (effective 3/20/82).

- 3.12.2.11 Dry cleaning or dyeing establishments using non-inflammable solvents; provided that the floor area shall not exceed 3,000 square feet per establishment, and subject to approval of the cleaning solvents by the Fire Department and approval of the method of waste disposal by the Departments of Public Works and Health.
- 3.12.2.12 Off-street parking garages and lots.
- 3.12.2.13 Accessory buildings and uses clearly subordinate and customarily incidental to and located on the same lot with any of the foregoing special uses shall be approved by the Board in the same manner as a Special Use.
- 3.12.2.14 A change in the use of interior space of an existing building in a Shopping Center Design District shall not require either an amendment to a Special Permit and/or Site Plan Approval, provided that such use is listed in Section 3.12.2 or Section 3.12.3, and further provided that no exterior structural changes to the existing building shall be made in connection with such changed use.

Requests for change of use to be considered under the provisions of this section shall be in accordance with Section 8.8.2 Change of Use (effective 1/24/81).

3.12.3 Accessory Uses: The following accessory uses shall be allowed:

- 3.12.3.1 Converting, altering, finishing, cleaning, assembly or other processing of products which is clearly subordinate and customarily incidental to a principal use and where goods so produced or processed are used or sold exclusively on the premises provided that the area used for such purposes shall be within a completed enclosed building.
- 3.12.3.2 Accessory vehicle repair and/or service garages, subject to the applicable provisions of Section 5.3 herein.
- 3.12.3.3 Accessory storage of equipment, merchandise, materials and supplies within complete enclosed buildings.
- 3.12.3.4 Other accessory buildings and uses which are clearly subordinate and customarily incidental to and located on the same lot with the principal use, and that will not be hazardous to the public health, safety and welfare.
- 3.12.3.5 Off-Street Parking and Loading: In accordance with Section 5.1, herein; except that off-street parking, loading and vehicular access areas shall be provided in the manner and to the extent determined by the Board to be adequate for any mixed use building, notwithstanding the applicable provisions of Section 5.1.4, herein.
- 3.12.3.6 Signs: In accordance with Section 5.2 herein.



3.12.4 Lot and Building Requirements: Subject to all other applicable provisions and limitations of these Regulations, buildings and uses shall comply with all lot and building requirements as set forth herein.

3.12.4.1 Minimum Lot Requirements:

- (1) Lot Area:
  - (a) with dwelling units 20 acres
  - (b) without dwelling units 10 acres
- (2) Lot Width: 300 feet
- (3) Lot Depth: 300 feet

3.12.4.2 Minimum Yard and Open Space Requirements:

- (1) Principal Uses: Front, side and rear yards for all principal uses shall not be less than 50 feet.
- (2) Accessory Uses: Front, side and rear yards for all accessory uses, exclusive of signs, shall not be less than 25 feet.
- (3) Buffer Strip: At least 10 feet adjacent to any Residential District for the first 50 required off-street parking spaces or any portion, thereof, plus an additional 10 feet of buffer strip adjacent to any Residential District for each additional 50 required off-street parking spaces, or major fraction thereof, up to a maximum of 100 feet of buffer strip.

3.12.4.3 Building Requirements:

- (1) Design: Buildings shall be designed in such a manner as to be compatible with the lot and in harmony with the general character and appearance of the surrounding neighborhood.
- (2) Length: Buildings shall not be of such unreasonable length as to adversely affect the general character and appearance of the surrounding neighborhood.
- (3) Height: No building or structure shall exceed 10 stories nor 120 feet in height; except that low-rise and mid-rise multiple-family dwellings shall comply with the applicable height provisions for RMF-16 and RMF-36 Residential Districts, respectively.
- (4) Spacing: Group buildings on a single lot shall be so arranged that the minimum distance between principal and/or accessory buildings shall be equal to or greater than one-third the sum of the heights of the affected buildings; exclusive of parking structures which are designed to function in conjunction with a principal building.

- (5) Building Area: A maximum of 50 percent or less as required by off-street parking and loading regulations.
- (6) Floor Area Ratio: A maximum of 1.5 FAR, exclusive of accessory parking garages and structures.
- (7) Dwelling Units/Business Floor Area: Where multi-family dwelling units are proposed, a maximum of 40 percent of the aggregate floor area, exclusive of accessory parking and loading garages and structures, shall be used for dwelling purposes and a minimum of 50% shall be used for business and/or office uses.
- (8) Dwelling Units: Where dwelling units are proposed not to be part of a mixed use development density shall be allowed within the following limitations: A medium density of 16 to 24 bedrooms per acre; multi-family residential shall be allowed within buildings or structures of 4 or less stories or a height of 48 feet and high density of 25 to 36 bedrooms per acre shall be allowed within buildings or structures of 5 to 10 stories or a height of 60 to 120 feet. Increased densities are subject to Planning and Zoning Board review of building and site design to include roof style screening of mechanical equipment, facade treatments, minimum regrading and/or changes to topography, sign designs and location, underground utilities, on site lighting design and landscape and grading design of the site. (effective 6/7/88).

This provision shall not be construed to allow a greater density than is otherwise allowable within the limitations of Section 3.12.2.2, herein.

3.12.5 Prohibited Uses: The following uses shall be expressly prohibited:

- 3.12.5.1 No display of goods outdoors, exclusive of nursery stock, shall be permitted except in courts or malls.
- 3.12.5.2 No retail sales outdoors, from open counters, or with curb service shall be permitted; except for seasonal sidewalk sales.
- 3.12.5.3 No drive-in establishment shall be permitted; except for drive-in banks.
- 3.12.5.4 No commercial garage, gasoline station, vehicle repair and/or service garage, vehicle dealership, vehicle washing establishment, or other similar use shall be permitted; except for one accessory gasoline station per lot, and for one accessory vehicle repair and/or service garage per lot.

- 3.12.5.5 No parking or loading area shall be used for the storage of new or used vehicles for sale or hire or for the storage of unregistered vehicles.
- 3.12.5.6 No warehouse or storage; junk yard; or outside storage yards shall be permitted.
- 3.12.5.7 No trucking terminal facilities for handling freight or material with or without maintenance facilities shall be permitted; except for clearly subordinate and customarily incidental delivery departments or off-street loading facilities operated by business concerns for their own use.
- 3.12.5.8 No principal manufacturing, fabricating, assembling or processing of goods or products shall be permitted.
- 3.12.5.9 Any building or use which will not comply with the Performance Standards of Section 5.9 shall be prohibited.
- 3.12.6 Modification of Requirements:
  - 3.12.6.1 A lot or lots on which a lawful non-conforming use exists at the time of adoption of these Regulations, shall be subject to the foregoing requirements, except that the Board may allow continuation of such use on the portion of the lot which it occupies, and pro-rate the requirements of these Regulations on the remaining lot area if it deems such modification is within the purpose of intent of these Regulations.
  - 3.12.6.2 A development site may be subdivided for separate sale of the components of a plan approved under this Section, provided the overall development complies with these Regulations. Any such subdivision shall be in accordance with the provisions of the Subdivision Regulations of the City of Milford. That, in the event of the foregoing, any subdivision for separate sale of a development site shall be deemed to meet the requirements of these Regulations if the overall development complies with these Regulations.

SECTION 3.13 MOTEL BUSINESS DISTRICTS: MB

3.13.1 Permitted Uses: Subject to all other applicable provisions and limitations of these Regulations, the Board shall permit the following buildings and uses in Motel Business Districts.

3.13.1.1 Any building or use permitted in One-Family Residential Districts, Section 3.1.1, herein.

3.13.2 Special Uses: Subject to all other applicable provisions and limitations of these Regulations, the Board may allow the following buildings and uses, subject to Special Permit and Site Plan Approval in accordance with ARTICLE VII, herein.

3.13.2.1 Any building or use as provided and regulated in One-Family Residential Districts, Section 3.1.2, herein.

3.13.2.2 Motels, containing a minimum of 10 rooming units, subject to the following conditions and safeguards:

- (1) Rooming Uses: Each rooming unit shall have a minimum floor area of 250 square feet and shall contain private bathing, lavatory and flush toilet facilities. No rooming unit shall contain kitchen or cooking facilities.
- (2) Common Floor Area: There shall be provided lobby and common floor area, excluding hallways, equal to at least 5% of the total floor area of all rooming units but not less than 300 square feet.
- (3) Commercial Activities: No commercial activity of business or other nature shall be conducted on the premises, except in conjunction with the customary activities of the Motel.
- (4) Site Plan Requirements: Any application for new buildings or structural alterations shall be accompanied by building plans, floor plans and elevations prepared by a Registered Architect and/or Professional Engineer, and by a detailed landscaping plan showing all grading, drainage, fences, walls shrub and tree plantings, and other landscaping features.
- (5) Exterior Lighting: Exterior lighting shall be provided by the applicant at all access points to streets, parking areas, building entrances and elsewhere, where required for safety of vehicular or pedestrian traffic.
- (6) Street Access: No use shall be approved by the Board unless the lot has suitable frontage on an adequate major collector or arterial street.

(7) Utilities: No use shall be approved by the Board unless the building is: (1) served by an adequate public sanitary sewerage system, or community sub-surface sewage disposal system and approved by both the State and City Department of Health; and (2) supplied with water from an adequate public water supply, community water supply, or private, individual wells and approved by the Health Administrator.

(8) Lot Area per Rooming Unit: A minimum of 2,700 square feet.

3.13.3 Accessory Uses: the following uses shall be allowed:

3.13.3.1 Any accessory building or use in conjunction with principal uses as provided in One-Family Residential Districts, Section 3.1.3, herein.

3.13.3.2 Accessory buildings and uses for principal hotels and motels may include the following:

(1) A gasoline station, subject to the applicable provisions of Section 5.3, herein.

(2) A restaurant, without facilities for group meetings or conventions, subject to the applicable provisions of Section 5.4, herein.

(3) An inside concession stand for the sale of refreshments, tobacco products; souvenirs and similar items.

(4) A swimming pool or other recreation facilities.

3.13.3.3 Other accessory buildings and uses clearly subordinate and customarily incidental to and located on the same lot with the principal use.

3.13.3.4 Off-Street Parking and Loading: in accordance with Section 5.1, herein.

3.13.3.5 Signs: In accordance with Section 5.2, herein.

3.13.4 Lot and Building Requirements: Buildings and uses, exclusive of hotels and motels, shall comply with all requirements of R-AA Residential Districts as set forth in the Schedule of Lot and Building Regulations, Section 3.1.4, herein. Hotel and motel uses shall comply with all lot and building requirements as set forth hereinafter.

3.13.4.1 Minimum Lot Requirements:

- (1) Lot Area: 10 contiguous acres
- (2) Lot Width: 300 feet
- (3) Lot Depth: 300 feet

3.13.4.2 Minimum Yard and Open Space Requirements:

- (1) Principal Uses:
  - (a) Front Yard: 100 feet
  - (b) Side Yard: 100 feet
  - (c) Rear Yard: 100 feet
- (2) Accessory Uses:
  - (a) Front, side and rear yards for parking, loading and vehicular access areas shall not be less than 25 feet.
  - (b) Side and rear yards for all other accessory uses, exclusive of signs, shall not be less than 50 feet.
- (3) Buffer Strip: At least 25 feet adjacent to any Residential District for the first 50 required off-street parking spaces or any portion thereof, plus an additional 10 feet of buffer strip adjacent to any Residential District for each additional 50 required off-street parking spaces, or major fraction thereof, up to a maximum of 100 feet of buffer strip.

3.13.4.3 Building Requirements:

- (1) Design: All buildings shall be designed in such a manner as to be compatible with the lot and in harmony with the general character and appearance of the surrounding neighborhood.
- (2) Length: No building shall exceed 160 feet in its greatest dimension, unless physical site conditions make this requirement impractical or unreasonable, as determined by the Board.
- (3) Height: No building or structure shall exceed 3 stories nor 35 feet in height.
- (4) Spacing: Group buildings on a single lot shall be so arranged that the minimum distance between principal and/or accessory buildings shall be equal to or greater than one-half the sum of the heights of the affected buildings; exclusive of accessory parking structures which are designed to function in conjunction with the principal building.
- (5) Building Area: A maximum of 25 percent.
- (6) Lot Coverage: A maximum of 60 percent.

3.13.5 Prohibited Uses: Any building or use prohibited in One-Family Residential Districts, Section 3.1.5, herein.

SECTION 3.14 LIMITED INDUSTRIAL DISTRICTS: LI-30 & LI-10

3.14.1 Permitted Uses: Subject to all other applicable provisions and limitations of these Regulations, the Board shall permit the following buildings and uses in Limited Industrial Districts, subject to Site Plan Approval in accordance with ARTICLE VII, and Section 3.14.1.11

3.14.1.1 The manufacturing, fabricating, assembling or processing of goods and products; provided that the principal use is within a completely enclosed building.

3.14.1.2 Warehousing and/or wholesaling business, provided the principal use is within a completely enclosed building.

3.14.1.3 Building equipment, merchandise, material and supply businesses; provided that the principal use is within a completely enclosed building.

3.14.1.4 Offices for business, financial, professional, and personal services and other similar offices.

3.14.1.5 Computer centers.

3.14.1.6 Scientific and research laboratories devoted to research, design and/or experimentation.

3.14.1.7 Printing and publishing establishments.

3.14.1.8 Public buildings, uses, and facilities.

3.14.1.9 Off-street parking garages and lots.

3.14.1.10 Mixed use buildings containing Permitted Uses.

3.14.1.11 Use Conditions: All of the above Permitted Uses shall be subject to the following conditions and safeguards:

(1) Site Plan Requirements: A landscaping plan shall be required showing all proposed re-grading, drainage, fences, walls, and other landscaping features.

(2) Exterior Lighting: Exterior lighting shall be provided by the applicant at all access points to streets, parking areas, building entrances and elsewhere, where required for safety of vehicular or pedestrian traffic.

(3) Street Access: No use shall be approved by the Board unless the lot and/or subdivision has suitable access to a street which is adequate to accommodate the potential traffic generation from such use.

(4) Utilities: No use shall be approved by the Board unless the use is:

- (a) Served by an adequate public sanitary sewerage system, community subsurface sewage disposal system, or private, individual sewage disposal facilities approved by the Health Administrator; and
- (b) Supplied with water from an adequate public water supply; community water supply or private, individual wells approved by the Health Administrator.
- (c) The Board may require the use to be served by an approved public sanitary sewage disposal system in order to protect the public health.

3.14.2 Special Uses: Subject all other applicable provisions and limitations of these Regulations, the Board may allow the following buildings and uses; subject to Special Permit and Site Plan Approval in accordance with ARTICLE VII, herein and Section 3.14.1.11.

3.14.2.1 Public utility buildings and facilities.

3.14.2.2 Railroad rights-of-way and stations including customary accessory services thereto.

3.14.2.3 Vehicle repair garages and services within completely enclosed buildings, subject to all applicable provisions of Section 5.3, herein and provided that the minimum required lot area shall not be less than one (1) acre.

3.14.2.4 Mixed use buildings containing one (1) or more Special Uses.

3.14.2.5 Accessory buildings and uses clearly subordinate and customarily incidental to and located on the same lot with any of the foregoing special uses may be approved by the Board in the same manner as a Permitted Use, unless the Board requires a public hearing. Those not complying with Sec. 3.14.3.2 shall require a special permit.

3.14.2.6 Vocational & Training Schools.

3.14.3 Accessory Uses: The following accessory uses shall be allowed:

3.14.3.1 Accessory warehousing and/or sales which are clearly subordinate and customarily incidental to and located on the same lot with the principal use.

3.14.3.2 Accessory outside storage of equipment, merchandise, materials and supplies which is clearly subordinate and customarily incidental to a permitted use and where goods so stored are used or sold on the premises; provided that the area used for outside storage shall be effectively screened on all sides by appropriate structures, fencing, walls, or landscaping of suitable type and height, and the area shall be limited to 15% of the lot area.



3.14.3.3 Accessory gas liquefaction and petroleum distillation, and only as an accessory use.

3.14.3.4 Other accessory buildings and uses which are clearly subordinate and customarily incidental to and located on the same lot with the principal use; provided that such accessory building or use will not be dangerous, injurious, detrimental or objectionable to the public health, safety or welfare of the neighborhood or community.

3.14.3.5 Off-Street Parking and Loading: In accordance with Section 5.1, herein; except that off-street parking, loading, and vehicular access shall be provided in the manner and to the extent determined by the Board to be adequate for any mixed use building, notwithstanding the applicable provisions of Section 5.1.4, herein.

3.14.3.6 Signs: In accordance with Section 5.2, herein.

3.14.4 Lot and Building Requirements: Buildings and uses shall comply with all lot and building requirements as set forth hereinafter.

3.14.4.1 Minimum Lot Requirements:

	<u>LI-30</u>	<u>LI-10</u>
(1) Lot Area:	30,000 square feet	10,000 square feet
(2) Lot Width:	100 feet	50 feet
(3) Lot Depth:	150 feet	100 feet

3.14.4.2 Minimum Yard & Open Space Requirements:

(1) Principal Uses:	<u>LI-30</u>	<u>LI-10</u>
(a) Front Yard:	30 feet	20 feet
(b) Side Yard:	None required but at least 10 feet, if provided.	None required but at least 4 feet if provided.
(c) Rear Yard:	None required, but at least 20 feet, if provided.	None required but at least 15 feet if provided.
(2) Accessory Buildings:	<u>LI-10</u>	
(a) Side Yards:	None required, but at least 10 feet, if provided.	None required but at least 4 feet, if provided.
(b) Rear Yard:	None required but at least 10 feet, if provided	None required but at least 10 feet, if provided.
(c) Front Yard:	Front Yard same as for principal use.	
(3) Accessory Uses:	No parking or loading areas shall be permitted in the minimum required front yard.	

(4) Buffer Strip: An adequate buffer strip shall be provided adjacent to any Residential District. Said buffer strip shall be equal to or greater than 10 percent of the average lot width for side yards or average lot depth for rear yards, whichever is applicable, but not less than 20 feet for LI-30 Districts and 10 feet for LI-10 Districts; except that the Board may substitute, for 10 feet of any required buffer, appropriate fencing of suitable type and height which shall be installed and maintained by the applicant to which shall be installed and maintained by the applicant to effectively screen the use from adjoining Residential Districts.

(5) Landscaping: The front yard shall be appropriately landscaped except for required access ways.

#### 3.14.4.3 Building Requirements:

(1) Design: Buildings shall be designed in such a manner as to be compatible with the lot and in harmony with the general character and appearance of the surrounding neighborhood.

(2) Length: Buildings shall not be of such unreasonable length as to adversely affect the general character and appearance of the surrounding neighborhood.

(3) Height: No building or structure shall exceed 35 feet in height.

(4) Spacing: Group buildings on a single lot shall be so arranged that the minimum distance between principal and/or accessory buildings shall be equal to or greater than one-half the sum of the heights of the affected buildings; exclusive of parking structures which are designed to function in conjunction with the principal building.

(5) Building Area: A maximum of 50 percent or less as required by off-street parking and loading regulations.

(6) Floor Area Ratio: A maximum of 1.0 FAR, exclusive of accessory parking garages and structures.

#### 3.14.5 Prohibited Uses: The following uses shall be expressly prohibited.

3.14.5.1 No dwellings or dwelling units shall be permitted; except for accommodations for watchmen, caretakers or custodians in conjunction with a principal use on the same premises.

3.14.5.2 No parking or loading area shall be used for the storage of new or used vehicles for sale or hire or, for the storage of unregistered vehicles.

- 3.14.5.3 No commercial garage, gasoline station, vehicle dealership, vehicle washing establishment, or other similar use shall be permitted.
- 3.14.5.4 No trucking terminal facilities for handling freight or material with or without maintenance facilities shall be permitted; except for clearly subordinate and customarily incidental delivery departments or off-street loading facilities operated by business concerns for their own use.
- 3.14.5.5 No principal outside storage yards shall be permitted.
- 3.14.5.6 No storage of petroleum shall be permitted; except for petroleum in locations and tanks of a size approved by the Fire Department to be used exclusively by an allowable use in connection with its own operation on the premises.
- 3.14.5.7 No allowable use shall be construed to include the following uses; and no land, building or structure shall be used for any of the following purposes:
- (1) Manufacturing of mineral acids, such as sulphurous, sulfuric, nitric and hydrochloric acid.
  - (2) Asphalt manufacture or refining or manufacture of products with asphalt including the preparation or mixing of tar or asphalt with sand or aggregates.
  - (3) Ammunition, explosives and fireworks manufacture.
  - (4) Asbestos manufacture.
  - (5) Animal black, lamp black, or bone black manufacture.
  - (6) Blast furnaces, coke ovens, forge plants or foundries.
  - (7) Blooming or hot rolling mill.
  - (8) Cement manufacture or manufacture of shingles made with cement.
  - (9) Crematory or cemetery.
  - (10) Creosote treatment or manufacture.
  - (11) Excelsior manufacture.
  - (12) Fat rendering.
  - (13) Fertilizer manufacture.
  - (14) Hydrogenation processes.
  - (15) Industrial Smoke house.

- (16) Junk yards, as defined herein, and any place in or on which any old metal, glass, paper, cordage, or other waste or discarded or secondhand material is stored or deposited.
  - (17) Match manufacture.
  - (18) Petroleum refinery.
  - (19) Raw hide or skin curing or tanning.
  - (20) Reduction of wood, bones, dead animals or offal.
  - (21) Rock or stone crusher or other processing of sand, gravel, or other earth products, except in accordance with the Earth Fill and Removal Regulations, Section 5.5, herein.
  - (22) Slaughtering of animals.
  - (23) Soap manufacture.
  - (24) Stock yards.
  - (25) Tallow, grease or lard manufacture or refining.
  - (26) Vinegar and sauerkraut manufacture or treatment.
  - (27) Yeast Plant.
  - (28) Mining, quarrying or processing of earth products, except that site preparation of specifically proposed building sites may be allowed in accordance with the Earth Fill & Removal Regulations, Sec. 5.5, herein.
- 3.14.5.8 No building or use which will be dangerous, injurious, detrimental or objectionable to the public health, safety or welfare of the neighborhood or community shall be allowed.
- 3.14.5.9 Any building or use which will not comply with the Performance Standards of Section 5.9, shall be prohibited.

SECTION 3.15 GENERAL INDUSTRIAL DISTRICT: GI

3.15.1 Permitted Uses: Subject to all other applicable provisions and limitations of these Regulations, the Board shall permit the following buildings and uses in General Industrial Districts, subject to Site Plan Approval in accordance with ARTICLE VII and Section 3.14.1.11, herein.

3.15.1.1 Any building or use permitted in General Business Districts, Section 3.11.1, herein, except 3.11.1.13 and not including the floor area limitations prescribed in Sections 3.11.1.6 through 3.11.1.9, therein.

3.15.1.2 Any building or use permitted in Limited Industrial Districts, Section 3.14.1, herein.

3.15.2 Special Uses: Subject to all other applicable provisions and limitations of these Regulations, the Board may allow the following buildings and uses, subject to Special Permit in accordance with ARTICLE VII and Section 3.14.1.11, herein.

3.15.2.1 Any special use as provided and regulated in Limited Industrial Districts, Section 3.14.2, herein.

3.15.2.2 Any special use as provided and regulated in General Business Districts, Section 3.11.2, herein.

3.15.2.3 Trucking terminal facilities for handling freight or material with or without maintenance facilities including accessory trucking facilities; provided that such facilities, including any truck entrances, exit, driveways, maneuvering, parking, or loading area, shall not be located or operated within a distance of 300 feet of any Residential District, measured in a straight line between such facility and said boundary. Trucking terminal facilities shall not be construed to include clearly subordinate and customarily incidental delivery departments or off-street loading facilities operated by business concerns for their own use.

3.15.3 Accessory Uses: The following accessory uses shall be allowed:

3.15.3.1 Any accessory building or use as provided for principal uses in Limited Industrial Districts, Sections 3.14.3.1, 3.14.3.2, 3.14.3.3, and 3.14.3.4, herein.

3.15.3.2 Off-Street Parking and Loading: In accordance with Section 5.1, herein; except that off-street parking, loading, and vehicular access areas shall be provided in the manner and to the extent determined by the Board to be adequate for any mixed use building, notwithstanding the applicable provisions of Section 5.1.4, herein.

3.15.3.3 Signs: In accordance with Section 5.2, herein.

3.15.4 Lot and Building Requirements: Buildings and uses shall comply with all lot and building requirements as set forth hereinafter.

3.15.4.1 Minimum Lot Requirements:

- (1) Lot Area: 10,000 square feet
- (2) Lot Width: 50 feet
- (3) Lot Depth: 100 feet

3.15.4.2 Minimum Yard & Open Space Requirements:

- (1) Principal Uses:
  - (a) Front Yard: 20 feet
  - (b) Side & Rear Yards: None required, but at least 4 feet if provided.
- (2) Accessory Buildings: Side & rear yards not required, but shall be at least 4 feet, if provided. Front yard same as for principal use.
- (3) Buffer Strip: An adequate buffer strip shall be provided adjacent to any Residential District. Said buffer strip shall be equal to or greater than 10 percent of the average lot width for side yards or average lot depth for rear yards, whichever is applicable, but not less than 20 feet; except that the Board may substitute, for a required 20 foot buffer, appropriate fencing of suitable type and height which shall be installed and maintained by the applicant to effectively screen the use from adjoining Residential Districts.

3.15.4.3 Building Requirements:

- (1) Design: Buildings shall be designed in such a manner as to be compatible with the lot and in harmony with the general character and appearance of the surrounding neighborhood.
- (2) Length: Buildings shall not be of such unreasonable length as to adversely affect the general character and appearance of the surrounding neighborhood.
- (3) Height: No building or structure shall exceed 3 stories nor 40 feet in height.
- (4) Spacing: Group buildings on a single lot shall be so arranged that the minimum distance between principal and/or accessory buildings shall be equal to or greater than one-third the sum of the heights of the affected buildings; exclusive of parking structures which are designed to function in conjunction with a principal building.

(5) Building Area: A maximum of 50 percent or less as required by off-street parking and loading regulations.

(6) Floor Area Ratio: A maximum of 1.0 FAR, exclusive of accessory parking garages and structures.

3.15.5 Prohibited Uses: The following uses shall be expressly prohibited:

3.15.5.1 Any building or use prohibited in Limited Industrial Districts, Section 3.14.5, herein; but not including Sections 3.14.5.3 and 3.14.5.4, thereof.

3.15.5.2 Dwellings or dwelling units shall be prohibited; except for accommodations for watchmen, caretakers or custodians in conjunction with a principal use on the same premises.

SECTION 3.16 HEAVY INDUSTRIAL DISTRICTS: HI

3.16.1 Permitted Uses: Subject to all other applicable provisions and limitations of these Regulations, the Board shall permit the following buildings and uses in Heavy Industrial Districts, subject to Site Plan Approval in accordance with ARTICLE VII and Section 3.14.1.11, herein.

3.16.1.1 The manufacturing, fabricating, assembling or processing of goods, and repair services, but not including any of those uses set forth in Limited Industrial Districts, Section 3.14.5.7, herein.

3.16.1.2 Building equipment, merchandise, material and supply businesses.

3.16.1.3 Offices for business, financial, professional, and personal services and other similar offices.

3.16.1.4 Computer centers.

3.16.1.5 Scientific and research laboratories devoted to research, design and/or experimentation, including pilot plants.

3.16.1.6 Printing and publishing establishments.

3.16.1.7 Metal, woodworking and other similar shops and repair services.

3.16.1.8 Vocational training schools.

3.16.1.9 Principal warehousing and/or wholesaling business uses.

3.16.1.10 Public utility buildings and facilities.

3.16.1.11 Off-street parking garages and lots.

3.16.1.12 Eating places: Those eating places containing a minimum floor area of 2,000 square feet subject to the provisions of Section 5.4 herein, notwithstanding 5.4.1.2 and 5.4.4.1 (effective 10/8/81).

3.16.1.13 Mixed use buildings containing Permitted Uses.

3.16.2 Special Uses: Subject to all other applicable provisions and limitations of these Regulations, the Board may allow the following buildings and uses; subject to Special Permit and Site Plan Approval in accordance with ARTICLE VII and Section 3.14.1.11 herein.

3.16.2.1 Places of entertainment, amusement, recreation and/or assembly such as an archery range, golf driving range, theater, stadium, racetrack, field house, auditorium and other similar uses.



- 3.16.2.2 Vehicle dealerships, subject to all applicable provisions of Section 5.3 herein; but not including new and used passenger vehicle dealerships.
- 3.16.2.3 Vehicle repair garage or services; subject to all applicable provisions of Section 5.3 herein.
- 3.16.2.4 Public buildings, uses, and facilities.
- 3.16.2.5 Trucking terminal facilities for handling freight or material with or without maintenance facilities including accessory trucking facilities; provided that such facilities, including any truck entrance, exit, driveways, maneuvering, parking or loading area, shall not be located or operated within a distance of 300 feet of any Residential District, measured in a straight line between such facility and said boundary. Trucking terminal facilities shall not be construed to include clearly subordinate and customarily incidental delivery departments or off-street loading facilities operated by business concerns for their own use.
- 3.16.2.6 Principal outside storage yards and uses including, but not limited to, building and contractors' equipment, merchandise, materials and supplies, but not including junk yards; provided that the area used for outside storage shall be effectively screened on all sides by appropriate structures, fencing, walls, or landscaping of suitable type and height.
- 3.16.2.7 Manufacturing uses as set forth in Limited Industrial Districts, Section 3.14.5.7 except those listed in Section 3.16.5.7, herein; subject to the following specific conditions and safeguards and provided that the Board finds, to its satisfaction, that the proposed use will, in all respects, comply with the purpose and intent of these Regulations.
- (1) The Board may require any reasonable means necessary to adequately protect the public health, safety or welfare of the neighborhood or community from dangerous, injurious, detrimental or objectionable elements and to prevent any unnecessary environmental pollution.
  - (2) The Board may require the applicant to submit all appropriate plans, specifications and other documents certified by a registered professional engineer, qualified scientist or recognized authority in his field or area of concern to the effect that all necessary environmental protection measures are consistent with recognized standards and will protect the public health, safety and welfare of the neighborhood and community.

- 3.16.2.8 Railroad rights-of-way and stations including customary accessory services thereto.
- 3.16.2.9 Recycling plants, including accessory junk yard; provided that any such junk yard shall be effectively screened on all sides by appropriate structures, fencing, walls, or landscaping of suitable type and height.
- 3.16.2.10 Mixed use buildings containing one or more Special Uses.
- 3.16.2.11 Motels containing a minimum of 10 rooming units; subject to the following conditions and safeguards:

- (1) Rooming Units: Each rooming unit shall have a minimum floor area of 250 square feet and shall contain private bathing, lavatory and flush toilet facilities. No rooming unit shall contain kitchen or cooking facilities.
- (2) Common Floor Area: There shall be provided lobby and common floor areas, excluding hallways, equal to at least 5% of the total floor area of all rooming units, but not less than 300 square feet.
- (3) Site Plan Requirements: Any application for new buildings or structural alterations shall be accompanied by building plans, floor plans and elevations prepared by a Registered Architect and/or Professional Engineer and by a detailed landscaping plan showing all grading, drainage, fences, walls, shrub and tree plantings and other landscaping features.
- (4) Utilities: No motel shall be approved by the Board unless the building is served by an approved public sanitary sewage system, or private on-site septic system approved by the Health Administrator.
- (5) Minimum Lot Requirements:

Lot Area: one acre  
 Lot Area per Rooming Unit: 1,100 square feet  
 Lot Width: 150 feet  
 (effective 10/8/81)

3.16.3.12 Accessory buildings and uses clearly subordinate and customarily incidental to and located on the same lot with any of the foregoing special uses may be approved by the Board in the same manner as a Permitted Use, unless the Board requires a public hearing.

3.16.3 Accessory Uses: The following accessory uses shall be allowed:

- 3.16.3.1 Accessory outside storage of equipment, merchandise, materials and supplies which is clearly subordinate and customarily incidental to a principal use; provided that the area used for outside storage shall be effectively screened on all sides by appropriate structures, fencing, walls, or landscaping of suitable type and height, as determined by the Board.
- 3.16.3.2 Accessory buildings and uses which are clearly subordinate and customarily incidental to and located on the same lot with the principal use; provided that such accessory building or use will not be dangerous, injurious, detrimental or objectionable to the public health, safety or welfare of the neighborhood or community.
- 3.16.3.3 Accessory warehousing and/or sales uses which are clearly subordinate and customarily incidental to and located on the same lot with the principal use.
- 3.16.3.4 Off-Street Parking and Loading: In accordance with Section 5.1 herein; except that off-street parking, loading, and vehicular access areas shall be provided in the manner and to the extent determined by the Board to be adequate for any mixed use building, notwithstanding the applicable provisions of Section 5.1.4 herein.
- 3.16.3.5 Signs: In accordance with Section 5.2 herein.
- 3.16.4 Lot and Building Requirements:
  - (1) Lot Area: 1 acre
  - (2) Lot Width: 100 feet
  - (3) Lot Depth: 200 feet
- 3.16.4.1 Minimum Yard & Open Space Requirements:
  - (1) Principal Uses:
    - (a) Front Yard: 30 feet
    - (b) Side Yard: None required but at least 4 feet if provided. (effective 3/5/76)
    - (c) Rear Yard: None required but at least 15 feet if provided.
  - (2) Accessory Buildings:
    - (a) Side Yard: None required but at least 4 feet if provided
    - (b) Rear Yard: None required but at least 10 feet if provided. (effective 3/5/76)
  - (3) Accessory Uses: Front yards for parking areas shall not be less than 20 feet. Front yards for all other accessory uses, exclusive of signs, shall not be less than 30 feet.

- (4) Buffer Strip: An adequate buffer strip shall be provided adjacent to any Residential District. Said buffer shall be equal to or greater than 10 percent of the average lot width for side yards or average lot depth for rear yards, whichever is applicable, but not less than 30 feet.
- (5) Landscaping: The front yard of buildings and/or parking lots shall be appropriately landscaped except for required access ways.

#### 3.16.4.2 Building Requirements:

- (1) Design: Buildings shall be designed in such a manner as to be compatible with the lot and in harmony with the general character and appearance of the surrounding neighborhood.
- (2) Length: Buildings shall not be of such unreasonable length as to adversely affect the general character and appearance of the surrounding neighborhood.
- (3) Height: No building or structure shall exceed 120 feet in height.
- (4) Spacing: Group buildings on a single lot shall be so arranged that the minimum distance between principal and/or accessory buildings shall be equal to or greater than one-third the sum of the heights of the affected buildings; exclusive of parking structures which are designed to function in conjunction with the principal building.
- (5) Building Area: A maximum of 50 percent or less as required by off-street parking and loading regulations.
- (6) Floor Area Ratio: A maximum of 2.0 FAR, exclusive of accessory parking garages and structures.

#### 3.16.5 Prohibited Uses: The following uses shall be expressly prohibited:

- 3.16.5.1 No dwellings or dwelling units shall be permitted; except for accommodations for watchmen, caretakers or custodians in conjunction with a principal use on the same premises.
- 3.16.5.2 No parking or loading area shall be used for the storage of new or used vehicles for sale or hire or for the storage of unregistered vehicles.
- 3.16.5.3 No gasoline station, new and used automobile dealerships, vehicle washing establishment and other similar uses shall be permitted.

- 3.16.5.4 No storage of petroleum shall be permitted; except for petroleum in locations and tanks of a size approved by the Fire Department.
- 3.16.5.5 No building or use which will be dangerous, injurious, detrimental or objectionable to the public health, safety or welfare of the neighborhood or community.
- 3.16.5.6 Any building or use which will not comply with the Performance Standards of Section 5.9, shall be prohibited.
- 3.16.5.7 No allowable use shall be construed to include the following uses; and no land, building or structure shall be used for any of the following purposes:
- (1) Manufacturing of mineral acids, such as sulphurous, sulfuric, nitric and hydrochloric acid.
  - (2) Asbestos manufacture.
  - (3) Animal black, lamp black or bone black manufacture.
  - (4) Crematory or cemetery.
  - (5) Fat rendering.
  - (6) Fireworks manufacture.
  - (7) Junk yards, as defined herein, and any place in or on which any old metal, glass, paper, cordage, or other waste or discarded or second hand material is stored or deposited.
  - (8) Raw hide or skin curing or tanning.
  - (9) Reduction of wood, bones, dead animals or offal.
  - (10) Rock or stone crusher or other processing of sand, gravel, or other earth products, except in accordance with the Earth Fill and Removal Regulations, Section 5.5 herein.
  - (11) Slaughtering of animals.
  - (12) Soap Manufacture.
  - (13) Stock yards.
  - (14) Tallow, grease or lard manufacture or refining.
  - (15) Asphalt Plants, including the mixing of asphalt or tar with sand or aggregates.
  - (16) Mining, quarrying or processing of earth products, except that site preparation of specifically proposed building sites may be allow in accordance with Earth Fill & Removal Regulations, Section 5.5 herein.

SECTION 3.17 HOUSATONIC DESIGN DISTRICT: HDD

3.17.1 Permitted Uses: Subject to all other applicable provisions and limitations of these regulations, the Board shall permit the following buildings and uses in the Housatonic Design District, subject to site plan approval in accordance with ARTICLE VII and Section 3.14.1.11, herein.

3.17.1.1 Any building or uses as permitted and regulated in Heavy Industrial District, Section 3.16.1 herein.

3.17.2 Special Uses: Subject to all other applicable provisions and limitations of these regulations, the Board may allow the following buildings and uses subject to special permit in accordance with ARTICLE VII and Section 3.14.1.11, herein.

3.17.2.1 Any building or uses as provided and regulated in Heavy Industrial Districts, Section 3.16.2, herein; but not including principal trucking terminal facilities in Section 3.16.2.5, thereof.

3.17.2.2 Boat clubs, marinas and boat yards.

3.17.2.3 Hotels and motels as provided and regulated in General Business Districts, Section 3.11.2.3, herein.

3.17.3 Accessory Uses: The following accessory uses shall be allowed.

3.17.3.1 Any accessory building or use as provided for principal use in Heavy Industrial Districts, Section 3.16.3, herein.

3.17.3.2 Any accessory building or use, as provided for principal boat clubs, marinas and boat yards in Boating Business Districts, Section 3.7.3.2, herein when in conjunction with Section 3.7.2.2.

3.17.3.3 Any accessory building or use as provided for principal hotels and motels in Motel Business Districts, Section 3.13.3.2, herein, when in conjunction with Section 3.11.2.3, herein.

3.17.3.4 Off-Street Parking and Loading: in accordance with Section 5.1 herein; except that off-street parking, loading, and vehicular access areas shall be provided in the manner and to the extent determined by the Board to be adequate for any mixed use building, notwithstanding the applicable provisions of Section 5.1.4, herein.

3.17.3.5 Signs: In accordance with Section 5.2, herein.

3.17.3.6 Residential Multiple-Family Uses: Dwellings under one (1) sponsorship or ownership, whether owned and operated under rental apartment, cooperative, or condominium arrangement subject to the following conditions and safeguards:

- (1) Site Plan Requirements: A detailed landscaping plan shall be required showing all grading, drainage, fences, walls, shrub and tree plantings, and other landscaping features.
- (2) Exterior Lighting: Exterior lighting shall be provided by the applicant at all access points to streets, parking areas, building entrances and elsewhere, where required for the safety of vehicular or pedestrian traffic.
- (3) Street Access: No multiple-family dwelling shall be approved by the Board unless the lot has suitable access to an adequate collector or arterial street. No zoning permit shall be issued by the Zoning Enforcement Officer for any multiple-family dwelling until any required street improvements have been suitably guaranteed.
- (4) Utilities: No multiple-family dwelling shall be approved by the Board unless each dwelling unit in such building is: (a) served by an approved public sanitary sewerage system; and (b) supplied with water from an adequate public water supply. No Certificate of Zoning Compliance shall be issued by the Zoning Enforcement Officer for any dwelling unit until such unit has been connected to said utilities.
- (5) Improvement Standards: Plans and specifications for the construction and/or improvement of all streets, curbs and gutters, sidewalks, storm drainage facilities, sanitary sewerage facilities, water supply facilities, electric and telephone facilities, and other improvements shall comply with all applicable City and State laws, codes, ordinances, and regulations, and shall be submitted to the Board for approval.
- (6) Ownership and Maintenance: All private streets, parking areas, sidewalks, utilities, recreation facilities, open space areas, and other private improvements, facilities, and area shall be owned, maintained and operated by the applicant, owner association or corporation without expense to the City. Legal documentation satisfactory to the City Attorney, shall be submitted assuring the ownership, maintenance, and operation of such private improvements, facilities and areas. Suitable restrictive covenants, particularly with regard to the minimum open space requirements, shall be included in all legal conveyances. The entire lot area of a multiple-family development shall, at all times, be maintained in a safe, sanitary and presentable condition.

3.17.3.7 Off-Street Parking and Loading: In accordance with the applicable provisions of Section 5.1, herein.

3.17.3.8 Accessory Uses: As allowed in Section 3.3.3.1, herein.

3.17.3.9 Signs: In accordance with the applicable provisions of Section 5.2 herein.

3.17.3 10 Minimum Lot Requirements:

- (1) Lot Area: 20 contiguous acres
- (2) Lot Width: 300 feet
- (3) Lot Depth: 300 feet

3.17.3 11 Minimum Yard and Open Space Requirements:

(1) Principal Uses:

(a) Minimum front yard shall be equal to the height of the wall of the building adjacent to said yard, but not less than 25 feet.

(b) Side and rear yards shall be 25 feet, except that no side or rear yard shall be required when abutting navigable water.

(2) Accessory Uses:

(a) 25 feet, except community buildings, swimming pools, and similar recreation facilities which shall be 50 feet, except that no side or rear yard shall be required when abutting navigable water.

3.17.3.12 Open Space: At least 50% of the actual lot area shall be kept as and for open space, which may either be left in its natural state or suitably landscaped or both. In reviewing an applicant's open space proposal, the Board may consider all relevant factors, including, but not limited to, the character of the lot and of the surrounding neighborhood, as well as the nature and design of the proposed development.

3.17.3.13 Minimum Floor Area:

- (1) Efficiency bedroom unit: 425 square feet
- (2) One-bedroom unit: 575 square feet
- (3) Two-bedroom unit: 750 square feet
- (4) Three-bedroom unit: 925 square feet
- (5) No portion of the minimum floor area of a dwelling unit shall be located in a basement.

3.17.3.14 Building Requirements:

- (1) Design: Buildings shall be designed in such a manner as to be compatible with lot and in harmony with the general character and appearance of the surrounding neighborhood.
- (2) Length: Buildings shall not be of such unreasonable length as to adversely affect the general character and appearance of the surrounding neighborhood.
- (3) Height: No building or structure shall exceed 120 feet in height.



- (4) Spacing: Group buildings on a single lot shall be so arranged that the minimum distance between principal and/or accessory buildings shall be equal to or greater than one-third the sum of the heights of the affected buildings; exclusive of parking structures which are designed to function in conjunction with the principal building.
- (5) Density: The maximum permitted number of dwelling units to be contained in a combination of residential buildings shall not exceed a net density of ten (10) dwelling units per acre, nor 22 bedrooms per acre, where net density refers to the parcel of land exclusive of street rights-of-way. The Board shall determine which rooms may be construed to be bedrooms.  
(Section 3.17.3.6 through 3.17.3.14 effective 11/8/86)

3.17.4 Lot and Building Requirements: Hotels and motels shall comply with all lot and building requirements for such uses located in General Business Districts, Section 3.11.2.3, herein. Other buildings and uses shall comply with all lot and building requirements as set forth hereinafter.

3.17.4.1 Minimum Lot Requirements:

- (1) Lot Area: 1 acre
- (2) Lot Width: 100 feet
- (3) Lot Depth: 200 feet

3.17.4.2 Minimum Yard and Open Space Requirements:

- (1) Principal Uses:
  - (a) Front Yard: 30 feet
  - (b) Side and Rear Yards: 20 feet except side and rear yards optional abutting navigable water.
- (2) Accessory Uses: Front, side and rear yards for parking less than 20 feet. Front, side and rear yards for all other accessory uses, exclusive of signs, shall not be less than the established principal use yard requirements.
- (3) Buffer Strip: An adequate buffer strip shall be provided adjacent to any Residential District. Said buffer strip shall be equal to or greater than 10 percent of the average lot width for side yards or average lot depth for rear yards, whichever is applicable, but not less than 30 feet.

3.17.4.3 Building Requirements:

- (1) Design: Buildings shall be designed in such a manner as to be compatible with the lot and in harmony with the general character and appearance of the surrounding neighborhood.
- (2) Length: Buildings shall not be of such unreasonable length as to adversely affect the general character and appearance of the surrounding neighborhood.

- (3) Height: No building or structure shall exceed 120 feet in height.
- (4) Spacing: Group buildings on a single lot shall be so arranged that the minimum distance between principal and/or accessory buildings shall be equal to or greater than one-third the sum of the heights of the affected buildings; exclusive of parking structures which are designed to function in conjunction with a principal building.
- (5) Building Areas: A maximum of 50 percent or less as required by off-street parking and loading regulations.
- (6) Floor Area Ratio: A maximum .75 FAR, exclusive of accessory parking garages and structures.

3.17.5 Prohibited Uses: The following uses shall be expressly prohibited.

- 3.17.5.1 Any building or use prohibited in Heavy Industrial Districts, Section 3.16.5, herein except as provided for in 3.16.5.1.
- 3.17.5.2 No trucking terminal facilities for handling freight or material with or without maintenance facilities shall be permitted; except for clearly subordinate and customarily incidental delivery departments or off-street loading facilities operated by business concerns for their own use.

SECTION 3.18 WATERFRONT DESIGN DISTRICTS: WDD

There exists in the City of Milford, community assets of such character that it is not in the public interest to establish specific development characteristics for each parcel of land. The City Development Plan recognizes the asset of shorefront property and its great value to the community. Therefore, in harmony with the principles of the Development Plan, a special district known as "Waterfront Design District" is hereby established in areas which are found to comply with the conditions and safeguards as set forth hereinafter.

3.18.1 Permitted Uses: All uses in Waterfront Design Districts shall be deemed to be Special Uses.

3.18.2 Special Uses: Subject to all other applicable provisions and limitations of these Regulations, the Board may allow the following buildings and uses in Waterfront Design Districts, subject to Special Permit and Site Plan approval in accordance with ARTICLE VII, herein.

- 3.18.2.1 One-Family dwellings as provided and regulated in One-Family Residential Districts, Section 3.1, herein; subject to the limitations of Section 3.18.4, herein.
- 3.18.2.2 Low-rise multiple-family dwellings as provided and regulated in RMF-16 Residential Districts, Section 3.3.2.2 (5) and (6), 3.3.3.1, 3.3.4.2 (1) and 3.3.4.3 (1), (3) & (6), thereof, subject to the limitations of Section 3.18.4, herein.
- 3.18.2.3 Mid-rise multiple-family dwellings as provided and regulated in RMF-36 Residential Districts, Section 3.3.2.2 (5) & (6), 3.3.3.1, 3.3.4.2 (3) and 3.3.4.3 (1), (3) & (6), thereof; subject to the limitations of Section 3.18.4, herein.
- 3.18.2.4 Marinas as provided and regulated in Boating Business Districts, Section 3.7 herein; but not including outdoor boat storage.
- 3.18.2.5 A neighborhood shopping center containing retail businesses as provided and regulated in Central Business Districts, Section 3.10, herein.
- 3.18.2.6 Hotels and motels as provided and regulated in General Business Districts, Section 3.11, herein.
- 3.18.2.7 A convention center which may or may not include a hotel, motel, a swimming pool, restaurant, convention hall and other usual uses.
- 3.18.2.8 A private beach with accessory uses including bath houses, swimming pool and off-street parking areas.
- 3.18.2.9 Public buildings, uses and facilities.
- 3.18.2.10 Public utility buildings and facilities.
- 3.18.2.11 Mixed use buildings containing one or more Special Uses, but not including any dwelling units.

3.18.2.12 A change in the use of interior space of an existing building in a Waterfront Design District shall not require either an amendment to a Special Permit and/or Site Plan Approval provided that such use is listed in Section 3.18.2 or 3.18.3 and further provided that no exterior structural changes to the existing building shall be made in connection with such changed use; and further provided that Section 3.10.2.3 notwithstanding, a public hearing shall be required for all uses regulated by this section (indoor places of entertainment and other similar indoor uses). Requests for change of use to be considered under the provisions of this section shall be in accordance with Section 8.8.2 Change of Use (effective 9/25/82).

3.18.2.13 Use Conditions: Notwithstanding any other applicable provisions of these Regulations, the above Special Uses shall be subject to the following additional conditions and safeguards:

- (1) Site Plan Requirement: Any application for new buildings or structural alterations shall be accompanied by building plans, floor plans and elevations prepared by a Registered Architect and/or Professional Engineer, and by a detailed landscaping plan showing all grading, drainage, fences, walls, shrub and tree plantings, and other landscaping features.
- (2) Exterior Lighting: Only exterior lighting of a type, nature and intensity approved by the Board shall be permitted on the premises. Permitted exterior lighting shall be provided by the applicant only at locations deemed necessary for public safety, as determined by the Board.
- (3) Street Access: No use shall be approved by the Board unless the lot and/or subdivision has suitable frontage on a street which is adequate to accommodate the potential traffic generation from such use.
- (4) Utilities: No use shall be approved by the Board unless the use is served by an approved public sanitary sewerage system and supplied with water from an approved public water supply.

3.18.3 Accessory Uses: The following accessory uses shall be allowed:

3.18.3.1 Any accessory building or use as otherwise provided for principal uses in Section 3.18.2 above.

3.18.3.2 Accessory buildings and uses for principal hotels and motels may include the following:

- (1) A restaurant, subject to the applicable provisions of Section 5.4, herein.
- (2) An inside concession stand for the sale of refreshments, tobacco products, souvenirs and similar items.
- (3) A swimming pool or other recreation facilities.

3.18.3.3 Converting, altering, finishing, cleaning, assembly or other processing of products which is clearly subordinate and customarily incidental to the principal use and where goods so produced or processed are used or sold exclusively on the premises; provided that the area used for such purposes shall be within a completely enclosed building.

3.18.3.4 Accessory storage of equipment, material and supplies within completely enclosed buildings.

3.18.3.5 Other accessory buildings and uses clearly subordinate and customarily incidental to and located on the same lot with the principal use.

3.18.3.6 Off-Street Parking and Loading: In accordance with the applicable provisions of Section 5.1, herein, subject to the following additional conditions and safeguards:

(1) Off-street parking shall be so located that it is within reasonable walking distance of any relationship to the use served. Off-Street parking areas shall be set back at least 10 feet from any street or lot line, and the space between said street or lot line and such parking area shall be suitably landscaped.

(2) Under no condition shall a parking lot be designed to contain more than 50 spaces, and if more spaces are required in the general area, a suitably landscaped area, at least 10 feet wide, shall separate the parking areas.

3.18.3.7 Signs: In accordance with the applicable provisions of Section 5.2, herein.

3.18.4 Lot and Building Requirements: The allowable uses shall comply with all applicable lot and building requirements governing such use as specified in Section 3.18.2, herein; except where the lot and building requirements as set forth hereinafter, are more restrictive. The Board shall determine which provisions may be construed to be more or less restrictive.

3.18.4.1 Minimum Lot Requirements:

- (1) Lot Area: 10 acres
- (2) Lot Width: optional
- (3) Lot Depth: 300 feet
- (4) Water Frontage: At least 1/5 of the perimeter of the site must abut navigable tidal water body and/or public lands which abut said water body.

3.18.4.2 Minimum Yard & Open Space Requirements:

- (1) Principal & Accessory Uses: Front, side and rear yards for:
  - (a) All residential and accessory residential buildings shall be not less than 30 feet and not less than the height of the buildings.

(b) All nonresidential buildings shall be not less than 20 feet.

- (2) Usable Open Space: Subject to all other applicable provisions and limitations of these Regulations, the Board shall require recreation areas suitable for all facilities.

3.18.4.3 Building Requirements:

- (1) Design: Buildings shall be designed in such a manner as to be compatible with the lot and in harmony with the general character and appearance of the surrounding neighborhood.
- (2) Length: Buildings shall not be of such unreasonable length as to adversely affect the general character and appearance of the surrounding neighborhood.
- (3) Height: No building or structure shall exceed the applicable height limitations governing such use as specified by reference to Section 3.3.4.3 (3) in Section 3.18.2, herein.
- (4) Spacing: Group buildings on a single lot shall be so arranged that the minimum distance between principal and/or accessory buildings shall be equal to or greater than one-third the sum of the heights of the affected buildings; exclusive of parking structures which are designed to function in conjunction with a principal building.
- (5) Building Area: A maximum of 30 percent; provided that no more than 20 percent of the lot shall be occupied by mid-rise residential buildings.
- (6) Dwelling Units: The maximum permitted number of dwelling units to be contained in any combination of residential buildings shall not exceed a net density of 10 dwelling units per acre, nor 22 bedrooms per acre, where net density refers to the parcel of land exclusive of street rights-of-way. The Board shall determine which rooms may be construed to be bedrooms.

3.18.5 Prohibited Uses: Any building or use which will not comply with the Performance Standards of Section 5.9, shall be prohibited.

SECTION 3.19 OPEN SPACE DISTRICT  
(effective 3/24/84)

Definition:

Land that is dedicated to remain largely in an undeveloped state for purposes of providing passive or active recreation, wildlife and nature preserves, farmland, forests, and other open space purposes, shall be classified as open space.

The following classes of land dedicated to remain in an undeveloped state shall be classified as Open Space:

- 3.19.1 Municipally owned beaches, forests, wetlands, parks and outdoor recreation areas, excluding recreation areas of public schools.
- 3.19.2 State and Federal parks, forests, wetlands, beaches, wildlife and nature preserves, and other areas permanently dedicated to open space.
- 3.19.3 Private forests, wildlife and nature preserves and other areas held in open space or conservation use in perpetuity by Milford Land & Conservation Trust and similar organizations.
- 3.19.4 Farmland dedicated to farming through the transfer of development rights pursuant to Section 22-26CC of the Connecticut General Statutes.
- 3.19.5 Land reserved for open spaces in accordance with Section 3.10 of the Subdivision Regulations of the City of Milford.

## SECTION 3.20 BEACH EROSION ZONE

The Beach Erosion Zone shall include all land area created by fill operations or other engineering works after January 1, 1955, as part of any beach improvement, beach maintenance, erosion control, or flood control program instituted by a public agency and located to the water side of the mean high watermark of Long Island Sound as it existed or exists on the date such project is begun, and as shall be more specifically determined by the Director of Public Works. Such map of the existing mean high watermark will be part of these Regulations.

3.20.1 Permitted Uses: Subject to all other applicable provisions and limitations of these Regulations, the Board shall permit the following uses, but not including buildings, in Beach Erosion Zones, subject to Site Plan Approval in accordance with ARTICLE VII, herein.

3.20.1.1 Public parks and playgrounds and public beach facilities, and accessory uses to such public facilities.

3.20.1.2 Private beach or recreation facility accessory to a residential use located on the same lot or an adjoining lot, provided such facility shall not be operated as a club.

3.20.1.3 Private beach or recreation facility accessory to a club, association, or similar organization not operated for compensation.

3.20.1.4 Parking area accessory to a use allowed on the lot or an adjoining lot.

3.20.2 Special Uses: Subject to all other applicable provisions and limitations of these Regulations, the Board may permit the following structures and uses, subject to Special Permit and Site Plan approval in accordance with ARTICLE VII, herein.

3.20.2.1 Structures, piers, seawalls, bulkheads, docks or fences constructed as part of a public program for beach maintenance or protection.

3.20.2.2 Groins or jetties constructed by non-public persons, clubs or associations, for the purpose of preventing erosion, may not be erected higher than two feet above mean high watermark.

3.20.2.3 Such other structures intended and designed to protect the beach and uplands from erosion, may be constructed after special application and consent of the Planning and Zoning Board.

3.20.3 Accessory Uses: Only accessory structures or uses as provided in Section 3.20.1 and 3.20.2 above, shall be permitted in Beach Erosion Zones.

3.20.4 Lot and Building Requirements: Structures and uses shall comply with all lot and building requirements, as determined by the Board; except for approved flood and erosion control works and structures.

3.20.5 Prohibited Uses: Any building, structure, or use which will not comply with the Flood Hazard Regulations of Section 5.6, shall be prohibited.





ARTICLE IV - GENERAL REGULATIONS

SECTION 4.1 GENERAL LOT, YARD HEIGHT AND USE REGULATIONS

4.1.1 Accessory Buildings in Residential Districts: Accessory buildings shall conform to the following requirements governing their location upon a lot:

- 4.1.1.1 No accessory building shall be located in any required front yard.
- 4.1.1.2 Side and rear yard requirements in accordance with the applicable Residential District.
- 4.1.1.3 No accessory building shall exceed 15 feet in height.
- 4.1.1.4 No accessory building shall be less than 8 feet from a dwelling unit.
- 4.1.1.5 In the aggregate, all such accessory buildings on a lot together with the principal building shall not occupy a greater percentage of the lot than is allowable in the zone. (See Building Area as % of Lot, Section 3.1.4 and 3.2.4).
- 4.1.1.6 No accessory building shall be constructed to house animals unless such buildings are located at least 100 feet from any street and 50 feet from any lot line.
- 4.1.1.7 Any accessory building with all dimensions six feet or less shall be exempt from these Regulations provided that no such building shall be located in any front yard, nor within 4 feet of any lot line.

4.1.2 Corner Lots: On a corner lot, front yards are required on both street frontages, and one yard other than the front yards shall be deemed to be a rear yard and the others side yards.

4.1.3 Through Lots: On a through lot, front yards are required on all streets.

4.1.4 Projections into Required Yards: The space in any required yard shall be open and unobstructed except for the ordinary projection of open entries, step stools, or porches, cantilever roofs, eaves, cornices, chimneys, belt courses, window sills, balconies and similar architectural features, provided that such features shall not project more than four feet into any required yard nor more than a distance equal to twenty percent of the required yard.

- 4.1.4.1 Any open entries or porches constructed or for which a permit was issued prior to 12/2/70, which comply with the reduced yard requirements of the Section may be enclosed (effective 4/23/76).
- 4.1.4.2 Porches which do not meet the required setbacks and which appear on the 1948 Assessor's cards shall be allowed to be enclosed provided they are not extended farther into any required yard (effective 4/23/76).

- 4.1.4.3 Notwithstanding the provisions of ARTICLE VI, Section 6.3 of these regulations, a zoning permit may be issued to allow the height of an existing structure to be increased when said dwelling does not conform to current required yards caused by adoption of subsequent zoning regulations, subsequent to the dwelling's construction. This section shall not apply to any building additions erected in violation of the zoning regulations, attached garages, porches, accessory buildings or structures, or structures and additions which have received approval from the Zoning Board of Appeals (effective 9/24/83).
- 4.1.5 Paved Areas: Open, uncovered terraces, patios and similar paved areas, exclusive of access drives, shall not project within 15 feet of a street line or four feet of any lot line.
- 4.1.6 Fire Escapes and Stairways: Open fire escapes and outside stairways may extend not more than six feet into any required rear or side yard; provided that such fire escape or stairway shall not be closer than four feet to any lot line.
- 4.1.7 Fences and Walls: Fences and walls not exceeding three feet in height in any front yard (see 4.1.2) nor six feet in height in any side or rear yard may be erected without a zoning permit.
- 4.1.7.1 Fences and walls more than three feet, but less than six feet in height, other than retaining walls, may be erected in a required front yard subject to the granting of a Special Exception by the Zoning Board of Appeals in accordance with ARTICLE IX, herein (effective 3/5/76).
- 4.1.7.2 Notwithstanding the foregoing, wire, chain link or similar fences, which do not impair visibility, may be 4 feet in height in any front yard.
- 4.1.8 Existing Setback Lines: If on one side of the street within a given block and within 150 feet of any lot there is pronounced uniformity of building setback lines greater than the minimum required front yard, a front yard shall be required in connection with any new building which shall conform, as nearly as practical, with those existing on the adjacent lots; except that no such building shall be required to be set back from the street a distance greater than 50 feet.
- 4.1.9 Existing Narrow Streets: (not applicable in R-5, R-7.5 and R-10 zones). On streets with less than a 50 foot right-of-way, the minimum required front yard setback shall be measured from the center line of the existing street right-of-way. In such instances, 25 feet shall be added to the minimum required front yard setback for the applicable Zoning District.
- 4.1.10 Side Yards for Dwellings: Where ever practical, new dwellings proposed without garages, shall be located on the lot so that all yard requirements may be complied with if an attached garage is later constructed.

4.1.11 Waiver of Yards: In any nonresidential district, no side or rear yard shall be required where such yard abuts an operating railroad right-of-way.

4.1.12 Courts: The minimum horizontal distance between facing walls of any inner court shall not be less than twice the height of the facing wall having the greatest height, and the depth of any outer court shall not exceed its width.

4.1.13 Exceptions to Height Requirements: No structure shall be erected or altered to exceed the height limit herein established for the Zoning District in which such structure is located; except that penthouses or roof structures for the housing of elevators, stairways, tanks, ventilating fans, or similar equipment required to operate and maintain a building, and fire or parapet walls, skylights, spires, belfries, towers, steeples, stage lofts and screens, flag staffs, chimneys, flues, smokestacks, individual domestic radio, television aerials and wireless masts, water tanks, standpipes, or other similar structures may be erected above the height limits herein prescribed. No such structure shall be erected to exceed by more than fifteen feet, the height limits of the Zoning District in which it is located; nor shall such structures have a total area greater than ten percent of the roof area of the building; nor shall such structure be used for any residential purpose or any commercial or industrial purpose other than a use incidental to the principal use of the building.

4.1.14 Trailer Coaches: Trailer coaches which are in fact or construed to be dwellings shall be subject to these Zoning Regulations as they pertain to dwellings. (see ARTICLE XI, Definitions of Dwellings: Trailer Coaches).

4.1.15 Waterbodies and Watercourses: Unless and until the Planning and Zoning Board has previously approved a Site Plan and authorized the issuance of a Special Permit in accordance with ARTICLE VII, herein.

4.1.15.1 No fill shall be deposited in or within 25 feet of any waterbody, watercourse, wetland or flood hazard area except in accordance with the Earth Fill and Removal Regulations, Section 5.5 herein.

4.1.15.2 No land, building, structure or use shall be developed, constructed, or occupied below the regulatory flood protection elevation, except in accordance with the Flood Hazard Regulations, Section 5-6 herein.

4.1.15.3 No building or structure shall be constructed or located within 25 feet of the seasonal high water level, mean high watermark, or legally established boundary of any waterbody, watercourse, wetland or flood hazard area (natural or man-made and named or unnamed); and further provided that:

- (1) No revetment, seawall, bulkhead, fence of similar flood and erosion control works shall be erected higher than two feet above the regulatory flood protection elevation.

4.1.15.4 No structure of any type nor the performance of any type of work incidental thereto shall be permitted on the water side of the seasonal high water level, mean high watermark or legally established boundary of any waterbody, watercourse, wetland or flood hazard area (natural or man-made and named or unnamed); and further provided that:

- (1) No groin, jetty or similar structure shall be extended into any waterbody, watercourse, wetland or flood hazard area further than the mean low water mark, nor shall such structure be constructed at an elevation higher than two feet above the mean high water mark.
- (2) No watercourse or open drainage ditch shall be walled up, filled in, narrowed down, altered, or otherwise obstructed, except for necessary clearing of debris, unless a favorable report from the City Engineer is first received by the Planning and Zoning Board.
- (3) No watercourse or open drainage ditch shall be piped or otherwise enclosed unless the size, type, grade and nature of such enclosure is first approved in writing by the City Engineer; and
- (4) Any new drainage ditch shall be so constructed that it shall have a flat bottom of sufficient width to carry the normal flow of water, and shall have sides sloping at a grade of not greater than one foot vertical to one and one-half feet horizontal, and such sides shall be adequately protected by revetment, bulkheads, rip-rap, planting suitable vegetation, or other protective measures.

ARTICLE V - SUPPLEMENTARY REGULATIONS

SECTION 5.1 PARKING AND LOADING REGULATIONS

5.1.1 General Procedure: It is the intention of these Regulations that all buildings and uses be provided with a sufficient amount of off-street parking and loading space to meet the needs of persons employed at or making use of such buildings or uses. No permit for the erection or substantial alteration of a building, or for the development of a use, shall be issued unless off-street parking and loading facilities shall have been laid out in a plot plan in accordance with the appropriate requirements for buildings and uses set forth in this Section and until the drainage plan for such parking and/or loading area, except in conjunction with single family dwellings not located in flood hazard areas, shall have been approved by the City Engineer.

5.1.2 Zoning Permits: The plot plans for any new building or any replacement or reconstruction of any existing buildings, when submitted to the Zoning Enforcement Officer for a Zoning Permit in accordance with ARTICLE VII, herein, shall show specifically the location and size of the off-street parking and/or loading areas required to comply with this Section, and the means of access to such space from the public streets or highways. The drainage plan of such parking and/or loading area shall be approved by the City Engineer with regard to safety to the area and adjoining properties. The Zoning Enforcement Officer shall not issue a Zoning Permit until the drainage plan of such parking and/or loading area has been endorsed with such approval.

5.1.3 Completion of Required Parking and Loading Areas: The use of any property for a principal or accessory off-street parking and/or loading area shall not commence until all work required in connection therewith is either completed or until the Zoning Enforcement Officer approves postponement of the improvements, or portion thereof, and accepts satisfactory surety in order to guarantee the completion of such postponed work.

5.1.4 Off-Street Parking Requirements: Adequate off-street parking spaces, open or enclosed, shall be provided for any building or use in accordance with the minimum requirements of this Section. Any land which is developed as a unit under single ownership and control shall be considered a single lot for the purpose of these parking regulations. Reasonable and appropriate off-street parking requirements for buildings and uses which do not fall within the categories listed shall be determined in each case by the Board upon consideration of all factors entering into the parking needs of such use.

MINIMUM OFF-STREET PARKING REQUIREMENTS

<u>Type of Building or Use</u>	<u>Minimum Required Parking Spaces</u>
(1) One Family Dwellings.....	2 spaces
(2) Two Family Dwellings.....	4 spaces

Type of Building or Use (cont.)

Minimum Required Parking Spaces

- (3) Multiple Family Dwellings
  - (a) Efficiency bedroom units.....1.5 spaces per dwelling unit
  - (b) One bedroom unit.....2 spaces per dwelling unit
  - (c) Two bedroom units.....2.5 spaces per dwelling unit
  - (d) Three bedroom units.....2.5 spaces per dwelling unit
- (4) Housing for elderly.....0.75 spaces per dwelling unit
- (5) Home occupation or accessory.....2 spaces in addition to professional office or home dwelling requirements.
- (6) Places of assembly including but.....1 space for each 4 fixed seats not limited to churches, auditoriums, theaters and stadiums, or equivalent gross floor area
- (7) Food and beverage establishments.....1 space for each 75 sq. ft. of including, but not limited to gross floor area including restaurants, luncheonettes, soda outdoor service areas, if any fountains, clubs-public and private, (effective 12/8/84) fraternal organizations and lodges
- (8) Taverns, Cafes.....1 space for each 50 sq. ft. of gross floor area including outdoor service areas, if any (effective 12/8/84)
- (9). Hotels, motels and boarding,.....1 space for each rooming unit, lodging and rooming houses plus required parking for facilities used for eating, drinking, assembly, and other such uses.
- (10) Automotive services, including but...1 space for each 250 sq. ft. of not limited to gas stations, auto gross floor area; or 3 spaces dealers, auto accessories, auto per bay, lift or equivalent for repair, auto body and paint shop, customer and employee parking muffler installation, tire shops only, whichever is greater. and engine and transmission overhaul shops.
- (11) Open or outdoor businesses.....1 space for each 1,000 sq. ft. including but not limited to of lot area, for customer and those which sell new and used: employee parking only motor vehicles, trailers, mobile homes, building supplies, machinery, equipment, swimming pools, nurseries and garden supplies.
- (12) Boat docks, marinas and boat yards...1 space for each boat dock or mooring facility.
- (13) Appliance, carpet, furniture,.....1 space for each 500 sq. ft. of electrical, heating and plumbing gross floor area. retail sales.
- (14) Other retail sales and service.....1 space for each 250 sq. ft. of establishments gross floor area.

- (15) General business and professional.... offices 1 space for each 250 sq. ft. of gross floor area or two spaces for each office or tenant, whichever is greater, or 3 spaces per 1,000 sq. ft. of gross floor area in a DO-10 or DO-25 zone district with the reserve parking area of 1 space for each 1,000 sq. ft. of gross floor area retained in suitably located open space areas so as to be utilized for required parking at such time as the Planning & Zoning Board shall require. (effective 7/23/84)
- (16) General hospital..... 1 space per patient bed plus 1 space per employee during the maximum work shift.
- (17) Convalescent, nursing or rest home... 1 space per four patient beds plus 1 space per employee during the maximum work shift.
- (18) Wholesale and distribution,..... warehousing and storage, truck terminals and other enclosed storage uses, and manufacturing and industrial establishments 1 space for each 750 sq. ft. of gross floor area or 1 space for each employee on the maximum work shift, whichever is greater.
- (19) Schools..... Public, Parochial, Private Non-Profit commercial. 1 space for each 6 seats or equivalent.  
1 space for each 2 seats or equivalent.

5.1.4.1 Drive-In Establishments:

- (1) A drive-in bank window shall have at least ten waiting positions between the street line and said window for cars approaching and at least two waiting positions for cars leaving said window. Such approach(es) shall be so arranged so as not to conflict with required off-street parking facilities and access thereto.
- (2) An attendant operated or self-service car wash shall have at least ten waiting positions for each bay between the street line and such bay for cars approaching and at least two waiting positions for cars leaving said bays.

5.1.5 Off-Street Loading Requirements: Adequate off-street loading berths, open or enclosed, shall be provided for any building or use in accordance with the minimum requirements of this Section. Any land which is developed as a unit under single ownership and control shall be considered a single lot for the purpose of these minimum loading requirements. Reasonable and appropriate off-street loading requirements for buildings and uses which do not fall within the categories listed shall be determined in each case by the Board upon consideration of all factors entering into the loading needs of such use.



5.1.5.1 Every hospital, institution, hotel, retail store, office building, wholesale house, warehouse, or industrial building, or additions thereto, totalling 8,000 square feet or more in floor area hereafter erected or established, shall have on the lot one permanently maintained loading space, and one additional loading space for each additional 16,000 square feet of floor area, or major portion thereof, excluding basements. Except that the Planning and Zoning Board may determine that optional proposals for providing service entrance areas or space may be allowed (effective 3/23/85).

5.1.6 Space Computations: When units of measurements determining the number of required parking and/or loading spaces result in the requirement of a fractional space, any fraction up to and including one-half shall be disregarded and fractions over one-half shall require one additional space.

5.1.7 Size of Spaces: Any off-street parking spaces as used herein shall be a space of not less than 9 feet in width and 18 feet in length. A waiting position shall be a 9 ft. by 18 ft. space in a line of approach. An off-street loading space as used herein shall be a space of not less than 12 feet in width, 40 feet in length, and 14 feet in height (effective 8/6/83).

5.1.7.1 Parking Structures: The Board may permit smaller parking spaces for any area located within or under a principal building or located within a multi-level parking structure; provided that such parking area shall contain at least three parking spaces. In general, such smaller parking spaces shall not be less than 8 feet in width and 18 feet in length.

5.1.7.2 Attendant Parking: The Board may, subject to Special Permit and Site Plan Approval, in accordance with ARTICLE VII, herein, permit smaller aisle and spaces for any use which will be served by attendant parking; provided that: (a) such attendant parking is customarily incidental to the principal use; and (b) adequate waiting positions are provided for vehicles approaching and leaving the principal use. In general, such smaller parking spaces shall not be less than 8 feet in width and 18 feet in length.

5.1.8 Multiple Uses and Facilities: When two or more different uses are located on a single lot, the total amount of parking and/or loading spaces to be provided shall be the sum of the requirements for each individual use on the lot. The Board may, subject to Site Plan Review (7/5/86) in accordance with ARTICLE VII, herein, approve the joint use of space by two or more establishments on the same or on contiguous lots where the total capacity of such space is less than the sum of the spaces required for each use; provided that the Board finds that the capacity to be provided will substantially meet the intent of the requirements by reason of variation in the probable time of maximum use by patrons or employees among such establishments, and further provided that such approval of such joint use shall be automatically terminated upon the termination of any such establishments.

5.1.9 Location and Ownership: Required parking and/or loading spaces shall be provided upon the same lot as the principal building or use which they serve. If the Board determines that it is impractical to provide all or part of the parking spaces on the same lot with the principal building or use, it may permit all or part of the parking spaces to be located on any lot which is within 250 feet of the principal building or use, measured along accessways to the lot. In all such cases, such parking spaces shall be in the same ownership as the use to which they are accessory and shall conform to all the regulations of the Zoning District in which they are located; but in no event shall such parking spaces be located in any Residential District unless the use which the spaces serve are allowed in such Residential Districts. Any such approval by the Board shall be subject to Special Permit and Site Plan Approval in accordance with ARTICLE VII, herein, and shall be recorded in the Land Records of the City as an encumbrance on the land designated for off-street parking, and such land shall not be released from parking use unless and until alternative space is provided and approved elsewhere.

5.1.10 General Layout and Design: The general layout and traffic circulation of parking and loading areas shall be designed so as to avoid unsafe conditions and traffic congestion in the streets upon which the area has access and to provide for the safety and adequacy of access for vehicles and pedestrians using the area.

5.1.10.1 Parking spaces and aisles shall be laid out in accordance with the "Design Standards for Off-Street Parking", as set forth hereinafter (see page V-7). All proposed curb cuts, access drives, and parking areas shall comply with all applicable requirements of the State Department of Transportation.

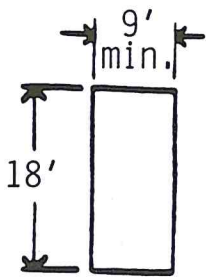
5.1.10.2 All parking lots for new buildings or existing buildings to be substantially renovated, except as noted below, shall provide parking spaces for handicapped individuals according to the following schedule:

Total Parking Spaces In Lot	Required Number of Accessible Spaces
up to 25	1
26 to 50	2
51 to 75	3
76 to 100	4
101 to 150	5
151 to 200	6
201 to 300	7
301 to 400	8
401 to 500	9
501 to 1,000	2% of total
over 1,000	20 plus 1 for each 100 over 1,000

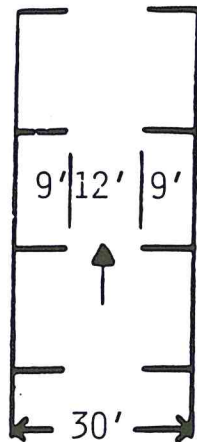
5.1.10.2.1 If a curb exists between a parking lot surface and sidewalk surface, an inclined curb approach or a curb cut flush with the parking lot surface having textured or rippled surface shall be provided for wheelchair access.

- 5.1.10.2.2 Parking spaces for the physically handicapped shall be located as close as possible to elevators, ramps, walkways and entrances. These spaces should also be located so that physically handicapped persons are not compelled to wheel or walk behind parked cars to reach entrances, ramps, walkways and elevators.
- 5.1.10.2.3 These provisions shall not be mandatory for high hazard buildings, low or moderate storage buildings, residential hotels or multi-family dwellings having less than 25 units; or one or two family structures.
- 5.1.10.2.4 If a question should arise as to which use group, as described above, a building belongs, the decision of the Building Inspector shall prevail (effective 3/6/82).
- 5.1.10.3 Any enclosed loading space shall be located at least 30 feet from any street line and any open loading space shall be so designed that trucks when loading or unloading will not project over any street line.
- 5.1.10.4 Individual parking and loading spaces, maneuvering areas, entrances and exits shall be suitably identified with lines and arrows, as deemed necessary by the Zoning Enforcement Officer.
- 5.1.10.5 No access drive, aisle or maneuvering area shall have a turning radius of less than 20 feet.
- 5.1.10.6 Where vehicles will be located against sidewalks, fences, walls, required buffer strips, trees, landscaping or similar constructions, a suitable bumper strip shall be provided in such a location that the vehicle cannot overhang or otherwise damage said obstruction.
- 5.1.10.7 In any parking area containing 20 or more parking spaces, suitable speed bumps at reasonable intervals may be required in order to protect the public safety.
- 5.1.10.8 In any parking area containing 20 or more parking spaces and two or more parallel aisles, suitable guard rails or esplanades may be required in order to protect the public safety and/or to promote a more aesthetic parking area.
- 5.1.11 Access Drives: No driveway or access road, to or from any property shall be so located at its juncture with a street as to create a danger or menace to the community or to the convenience or proper use of the adjoining property. No driveway shall provide access through a residential district to a lot located in another Zoning District.
- 5.1.11.1 No driveway approach shall be less than 10 feet in width nor greater than 30 feet in width at the street line.

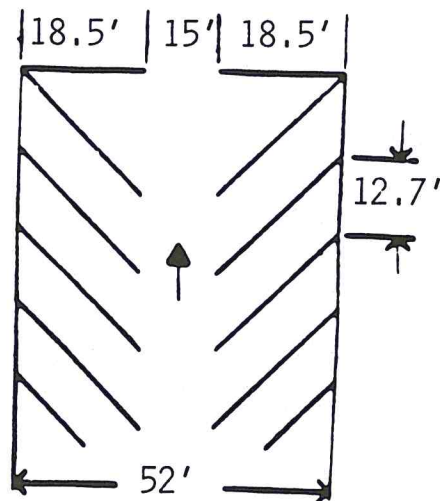
CITY OF MILFORD  
 DESIGN STANDARDS FOR OFF-STREET PARKING  
 PARKING LAYOUTS



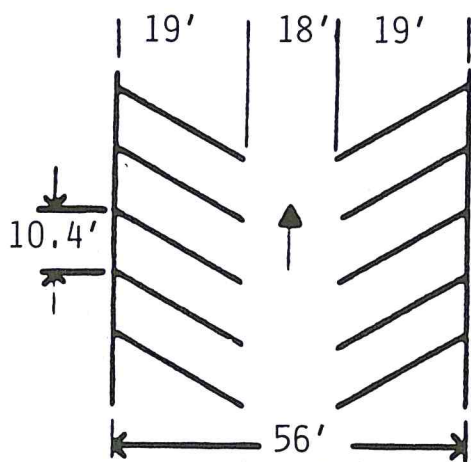
TYPICAL  
 PARKING  
 SPACE



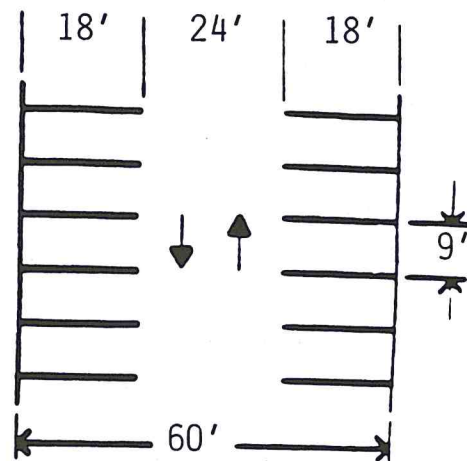
PARALLEL



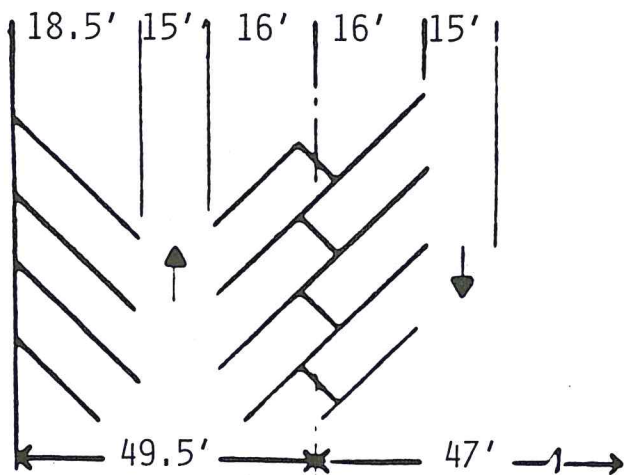
45° ANGLE



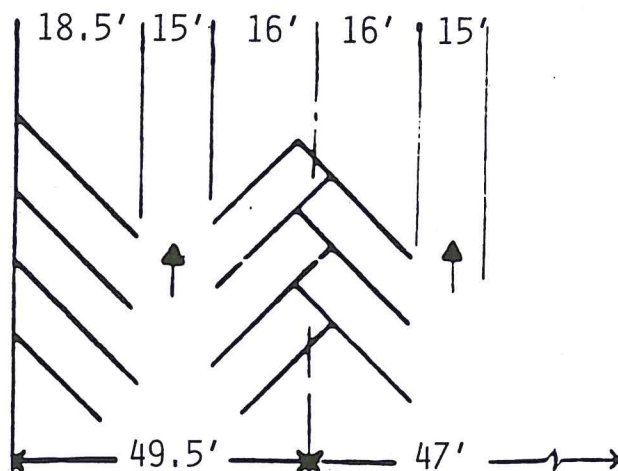
60° ANGLE



90° ANGLE

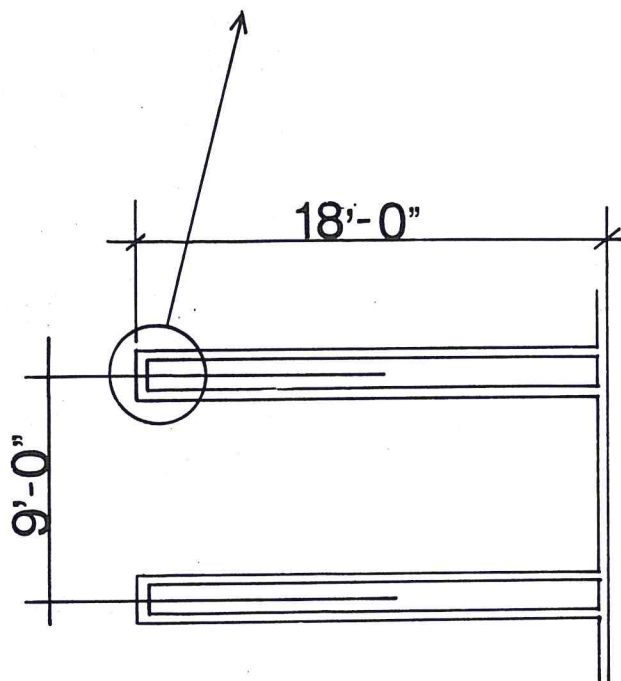
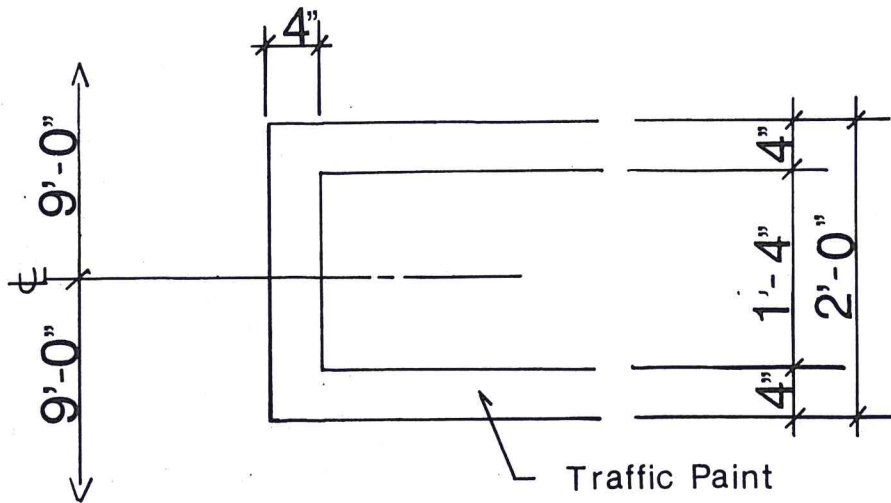


45° ANGLE OVERLAP



45° ANGLE HERRINGBONE

# Required Parking Space Striping



## Typical Parking Space

\*Note (These Specifications Can Be Drafted Directly On The Site Plan Map Project)

5.1.11.2 No driveway shall be located closer than 25 feet to any street intersection measured along the street lines. In any nonresidential district, no two driveways on the same lot shall be located closer than 25 feet to each other at their closest limits.

5.1.11.3 No lot having less than 200 feet of street frontage shall have more than two driveway entrances and/or exists on each street abutting the lot. Lots with more than 200 feet of street frontages may have up on one driveway entrance and/or exits for each 100 feet of additional street frontage.

5.1.12 Drainage and Surfacing: All off-street parking and loading areas, whether open or enclosed, shall be suitably graded, surfaced, curbed, drained and maintained as deemed necessary by the Zoning Enforcement Officer and approved by the City Engineer to avoid hazards or nuisances of dust, erosion, damage to any buffer strip planting or storm water flow onto public streets.

5.1.13 Buffer Strips and Screening: All parking areas with more than 5 spaces and/or loading areas shall be bordered on all sides that are contiguous to or across the street from an Residential District, with a suitable buffer strip on which shall be located and maintained appropriate fencing and landscaping of suitable type density and height to effectively screen the parking area and the lights of motor vehicles adjoining residential areas, as deemed necessary by the Zoning Enforcement Officer.

5.1.14 Landscaping: Where 20 or more surface parking spaces are provided on any lot, the lot containing those spaces shall be suitably landscaped as follows:

5.1.14.1 Trees suitable to the location, at least 1 1/2 inches in diameter, and equal in number to not less than 20% of the number of parking spaces, shall be planted and/or maintained within or around the parking area.

5.1.14.2 Any portion of a parking area not used for parking space or circulation shall be suitably landscaped and maintained.

5.1.15 Lighting: Necessary lighting of parking areas shall be permitted, but there shall be no unshaded light sources, and lights shall be so located that their beams are not directed onto adjacent properties or streets. The Board may limit the hours of lighting and the number and location of lights for any parking and/or loading area that is subject to Site Plan Approval in accordance with ARTICLE VII, herein.

5.1.16 Operation and Maintenance: Required off-street parking and/or loading facilities shall be maintained with any required markings thereon so long as the building or use which the facilities are designed to serve exists. Required parking areas shall be available to those who make use of buildings and uses for which they are required. Required off-street parking and/or loading areas which after development are later offered to and accepted by the City, shall be deemed to continue to serve the buildings or uses to meet the requirements for which they were originally approved.

- 5.1.16.1 No motor vehicle sales or service and no motor vehicle storage shall be permitted on any required parking and/or loading areas in any Zoning District.
- 5.1.16.2 In approving any off-street parking and/or loading areas that are subject to Site Plan Approval in accordance with ARTICLE VII, herein, the Board may also require satisfactory evidence that the parking and loading areas will be maintained in full compliance with these requirements.

SIGN REGULATIONS (EFFECTIVE 3/25/76)

SECTION 5.2 SIGN REGULATIONS

5.2.1 General Procedure: It is the intention of these sign regulations to promote the public safety, protect property values, create an attractive business climate and enhance the physical appearance of the community. No sign, except as provided in Section 5.2.3 hereof shall be erected or structurally altered unless an application for a Zoning Permit has been approved by the Zoning Enforcement Officer, in accordance with ARTICLE VIII, herein.

5.2.2 General Requirements:

5.2.2.1 Surety: The Zoning Enforcement Officer, in approving a Zoning Permit for any sign structure as described herein, shall require any person, firm or corporation erecting a sign structure to file a surety bond or evidence of liability insurance in the sum of \$10,000. The condition of such bond or liability insurance shall be for the faithful observance of the provisions of the Zoning Regulations and shall indemnify and save harmless the City of Milford and all its officials or agents from any and all damages, costs, losses or judgments which may be claimed against them by reason of negligent construction, erection or maintenance of any sign.

5.2.2.2 Maintenance: All signs together with their supports, braces, guys, and anchors shall be kept in good repair and in safe condition. The owner of the premises on which a sign is erected shall be directly responsible for keeping such sign and premises around it in a safe, sanitary, neat and clean condition.

Any sign now or hereafter existing which no longer identifies or advertises a bonafide business conducted, product sold, or activity or campaign being conducted shall be taken down and removed by the owner, agent or person having beneficial use of the building, structure, or lot upon which sign is located within 65 days of such cessation.

5.2.2.3 Illumination: Any illuminated sign or lighting device shall employ only lights emitting a light of constant intensity and shall be designed, located, erected and maintained only for the purposes of illuminating the subject sign and/or premises.

5.2.3 Signs Exempted from these Regulations: Subject to the conditions applicable in each instance and provided they are maintained in a safe, sanitary, neat and clean condition, the following signs shall not be subject to Section 5.2.1 and 5.2.2.1, hereof.

5.2.3.1 Temporary Construction Sign: One non-illuminated sign not to exceed 32 square feet in area, identifying an engineer, architect and/or contractor engaged in the development of land or construction or alteration of buildings, provided such sign is set back at least 10 feet from any street line. Any such sign shall be removed within 15 days of completion of such development or construction.



- 5.2.3.2 Temporary Real Estate Sign: One non-illuminated sign identifying the lease or sale of a building and/or lot, not to exceed 32 square feet in area for land only; 8 square feet in area for a dwelling; and 32 square feet in area for any other building; provided it is set back at least 10 feet from any street line, and further provided it is removed within 15 days after the sale or lease of said building and or lot.
- 5.2.3.3 One non-illuminated identification sign not to exceed two square feet in area, nor 8 feet in height, stating the name, address, and/or profession of occupant.
- 5.2.3.4 A sign erected by the City, State or Federal government.
- 5.2.3.5 A sign erected by a public carrier for direct information concerning its service at the location.
- 5.2.3.6 A sign erected by an fraternal, civic, religious or service organization or club, merely announcing its presence in the City of Milford and the time and place of its regular meeting, provided all such signs shall be encouraged to be grouped together with a common support structure and each component shall not exceed 4 square feet in area; and temporary signs erected by such organizations announcing an upcoming event provided they shall be removed within 48 hours after the event.
- 5.2.3.7 Any flag, badge, insignia or device of any governmental agency or civic, charitable, religious, patriotic, political, fraternal or similar nonprofit organization when displayed along a line of march of any parade, or in sockets along any street during a fund raising drive.
- 5.2.3.8 Political signs displayed during election campaigns, provided they shall be removed within 5 days after such election.
- 5.2.4 Accessory Signs Allowable in Residential, Residential-Multiple Family, Residential-Office: Subject to all other applicable provisions and limitations contained in these Regulations, the following signs shall be allowable in One and Two Family Residential, Medium and High Density Multiple-Family Residential, and Residential-Office.
- 5.2.4.1 One non-illuminated or indirectly illuminated identification sign for each separate street line of an approved Special Use not to exceed 9 square feet in area nor 8 feet in height; and further limited as follows: said sign shall be located not less than 10 feet from the front property line; the height of such sign shall not be greater than the distance it is located from any lot line.
- 5.2.4.2 Other signs shall be limited to directional signs necessary for public safety or convenience and shall be designed and approved only as an integral part of the site plan.

5.2.5 On Premise Signs Allowable In Office, Business And Industrial Districts: Subject to all other applicable provisions and limitations contained in these Regulations, the following on premise signs shall be allowed in General Office, Limited Business-2, Limited Business-10, Central Business, General Business, Limited Industrial, General Industrial, Heavy Industrial and Housatonic Design District in accordance with Section 8.3 herein; and shall be allowable in Limited Office, Shopping Center Design and Waterfront Design Districts. On premise signs shall be allowable along each separate street frontage, but no such sign shall be allowed within required side or rear yards adjoining a residential district, nor within the part of any front yard within 35 feet of a residential district (effective 9/25/82).

5.2.5.1 On Premise Ground Signs: There shall be only one sign along any front property line.

(1) Minimum setback shall be 10 feet except as follows: DO, LB-50, LI-30, HI, HDD, MB, SCD, WDD, 15 feet.

(2) Maximum Sign Area shall be 40 square feet except as follows: CBD, 32 square feet; GB, GI, HI, HDD, MB, 100 square feet; SCD and WDD, identification of shopping center, 75 square feet, tenant identification 16 square feet.

(3) Maximum height shall be 18 feet except as follows: GB, GI, and HDD, 25 feet; SCD & WDD, 20 feet; HI, 40 feet.

5.2.5.2 On Premise Wall Signs: The total sign area on each building facing wall shall not exceed 10 percent of the gross area of said wall, except as follows: CBD, GB, GI, HI & HDD, 15 percent. The Board may, as deemed appropriate in its judgment, allow additional wall signs in the same manner as above on a building wall which faces and adjoins an accessory off-street parking structure or lot.

5.2.5.3 On Premise Canopy Signs: One sign along any building facing wall shall be allowable for each separate use of the building, provided that the sign area is included as part of the total allowable sign area for wall signs and provided it is located under a roof over a walkway. No such sign shall exceed 16 square feet

5.2.5.4 Other on premise signs shall be limited to those necessary for directional or safety purposes and shall be approved only as an integral part of a site plan.

5.2.5.5 On Premise Directional Signs: No more than two traffic, directional or warning signs with no advertising thereon and not exceeding 4 square feet in area, may be located at each driveway entrance or exit, or anticipated hazard area, providing access to any parking, loading or building area.

5.2.5.6 On Premise Directory Signs: On premise directory signs shall be located internal to the site so as to require users to drive in off the main street to view the sign copy. Directory signs shall not exceed the 32 square feet. However, more than 1 directory sign may be allowed if the number of tenants or number of company departments/divisions exceed 10. In general, such signs shall be located on internal site road or pedestrian intersections as necessary.

5.2.6 Commercial Advertising Signs in GB, GI & HI Zoning Districts: Subject to all other provisions and limitations of these regulations, indirectly illuminated commercial advertising signs shall be allowed in General Business, General Industrial & Heavy Industrial Districts, subject to Special Permit and Site Plan Approval and the following additional conditions and safeguards:

5.2.6.1 Not more than one commercial advertising sign shall be permitted on any lot and the sign area of such sign shall not exceed an area of 672 square feet. All such commercial advertising signs shall be ground signs.

5.2.6.2 Such signs shall be located only where the applicable zoning districts extend at least 150 feet in all directions from the proposed sign and shall not be placed closer than 300 feet apart measured along the center line of the street or streets to any other such sign.

5.2.6.3 Such signs shall comply with all yard requirements for principal buildings in the applicable zoning district, but in no case shall such yard setback be less than 20 feet from any lot line and 50 feet from any intersection abutting the lot.

5.2.6.4 The maximum height of the structure shall not exceed the maximum height for principal buildings in the applicable zoning district nor shall it exceed a height of 40 feet above the ground level nor 24 feet above the pavement level of the street to which it is oriented.

5.2.6.5 When such signs are visible from the main travelled way of a limited access highway and are located within 150 feet of such highway, they shall not be placed closer than 50 feet from the right-of-way and shall be a minimum of 1,500 feet apart.

5.2.6.6 Where a non-conforming commercial advertising sign exists, the owner may apply to the Planning and Zoning Board to remove such sign and replace it with a new relocated commercial advertising sign which conforms to this section in all respects; except that such relocated sign may be 50% closer to other commercial signs than is otherwise required.

5.2.7 General Prohibitions: The prohibitions contained in this section shall apply to all signs in all zoning districts, regardless of designation, within the City of Milford.

- 5.2.7.1 No allowable sign, including canopy signs, shall be located in or project over, any street right-of-way.
- 5.2.7.2 No sign or advertising device shall be erected, used or maintained which in any way simulates official directional or warning signs erected or maintained by the Federal, State and City Governments for the protection of the public health and safety.
- 5.2.7.3 No sign or advertising device shall be erected or maintained in such a manner as to obstruct or interfere with the free and clear vision on any street, sidewalk, driveway or navigable channel.
- 5.2.7.4 No sign or advertising device shall be erected or maintained with any lighting or control mechanism which may cause radio or television interference.
- 5.2.7.5 No illuminated sign or lighting device shall be placed or directed on any property in a manner that would permit the light beams and illumination therefrom to be directed or beamed onto a public street or walkway, or onto adjoining properties so as to cause glare or reflection that might constitute a traffic hazard or public nuisance.
- 5.2.7.6 No animated sign or advertising device shall be allowed.
- 5.2.7.7 No flashing sign or advertising device which creates intermittent or varying light intensity shall be allowed.
- 5.2.7.8 No projecting sign shall extend more than 15 inches beyond the building walls or parts thereof, except as otherwise provided in these sign regulations.
- 5.2.7.9 No roof sign shall be erected, except that signs on architecturally detailed facades such as mansard roofs shall not be construed to be roof signs. Such signs shall not extend above the parapet of the structural roof.
- 5.2.7.10 No sign shall be painted or erected on any fence or retaining wall.
- 5.2.7.11 No building or part thereof, such as a gable, roof or wall shall be outlined by direct illumination for the purpose of commercial advertising
- 5.2.7.12 No sign shall be attached to or be erected or maintained in such a manner as to obstruct any fire escape, window, door or other building opening used for egress and ingress, ventilation or other fire fighting purposes.

- 5.2.7.13 No signs shall be painted on or attached to or otherwise displayed on motor vehicles parked, stored or placed in such a manner as to circumvent the purposes and intent of these Sign Regulations.
- 5.2.7.14 No commercial advertising sign shall be allowed except as otherwise provided in Section 5.2.6, hereof.
- 5.2.7.15 No off premise signs shall be allowed except commercial advertising signs as regulated by Section 5.2.6.

SECTION 5.3 COMMERCIAL GARAGE AND SERVICE STATION REGULATIONS

5.3.1 General Procedure: Gasoline stations, vehicle dealerships and vehicle repair and/or service garages as defined by State Statutes, shall be subject to both Special Permit approval in accordance with ARTICLE VII, herein, and Approval of Location by the Zoning Board of Appeals in accordance with the location requirements of this Section as well as the provisions of ARTICLE IX, herein.

5.3.1.1 Except as provided herein no application for Approval of Location for any gasoline station, vehicle dealership or vehicle repair and/or service garage, as defined by State Statutes, shall be accepted by the Zoning Board of Appeals unless and until the Planning & Zoning Board has previously approved the Site Plan and authorized the issuance of a Special Permit.

5.3.1.2 The provisions of Section 5.3.1.1 shall not apply to applications to the Zoning Board of Appeals for approval of location of existing vehicle dealerships or repair and/or service garages where no expansion of the use, and no change in type of license is proposed.

5.3.2 General Conditions:

5.3.2.1 There shall be a minimum lot area of 22,000 square feet and a minimum lot width of 100 feet for all uses regulated by this section except where zone district regulations may require a larger minimum lot size and/or width.

5.3.2.2 The storage of petroleum products in underground tanks not to exceed 40,000 gallons and the storage of fuel oils in above ground tanks not to exceed 275 gallons shall be the total allowable per lot.

5.3.2.3 Provisions shall be made for entering and leaving the lot in such a manner that traffic hazards are minimized. Driveway aprons shall be a minimum distance of 25 feet from any street intersection and 10 feet from any adjacent lot line.

5.3.2.4 Fuel pumps and above ground fuel storage tanks shall be located at least 25 feet from any street line or adjacent lot line.

5.3.2.5 Servicing, other than retail sale of gasoline and oil and minor services customarily incidental thereto, shall be conducted within a building. No repair work, except of an emergency nature, will be performed out-of-doors. No servicing or storage of any vehicle shall take place on any adjacent public street or sidewalk. Outside storage and display of vehicles shall be restricted to areas no closer than 10 feet from any street line or adjacent lot line.

- 5.3.2.6 Adequate area for parking, storage and servicing shall be provided on private property.
- 5.3.2.7 Appropriate and necessary lights shall be installed and maintained. All free-standing lights shall be designed so that lights are diffused and shielded so that glare onto adjacent properties is minimized. No free-standing light shall be permitted in any required rear or side yard adjacent to a Residential District.
- 5.3.2.8 Appropriate landscaping and screening of suitable type, density and height shall be installed and suitably maintained.
- 5.3.3 Location Requirements: Subject to Special Permit and Site Plan Approval, no commercial garage, gasoline station, vehicle dealerships, vehicle repair and/or service garages, or other similar commercial garages, shall be located on any lot within a distance of 300 feet, measured in a straight line between the nearest lot lines, from any other premises used for a public park or playground, a public, private or parochial school, a church or any other place of worship, a public library, a theatre or any other place of public assembly, and a hospital, or any other duly authorized health institution; except that no existing commercial garage, gasoline station, vehicle dealership, vehicle repair and/or service garage or other similar commercial garage shall be deemed to become a non-conforming use through the subsequent erection of said uses.
- 5.3.3.1 No gasoline station shall be located on any lot within 300 feet, measured in a straight line between the nearest lot and/or boundary lines, from any Residential District boundary; except that no existing gasoline station shall be deemed to become a non-conforming use through the subsequent change of such Residential District boundary.
- 5.3.4 Modified Requirements for Special Fuel Retailers: Filling or service stations selling special fuels, as defined by State Statutes, shall comply with the foregoing regulations, except that locations where more than four (4) fuel filling devices are used for special fuels and/or where the use is designed, intended or arranged for service primarily to truck traffic, the following standards shall apply in lieu of Sections 5.3.2.1 through 5.3.2.3:
- 5.3.4.1 There shall be a minimum, lot area of six (6) acres and a minimum frontage of 400 feet on a State highway.
- 5.3.4.2 The storage of special fuels in underground tanks not to exceed 100,000 gallons and the storage of fuel oils in above-ground tanks not to exceed 275 gallons shall be the total allowable per lot.
- 5.3.4.3 Provisions shall be made for entering and leaving the lot in such a manner that traffic hazards are minimized. Driveway aprons shall be a minimum distance of 100 feet from any street intersection and 25 feet from any adjacent lot line.

5.3.5 Prohibited Uses:

5.3.5.1 No alcoholic liquor shall be sold from the premises of or site area allocated to any use regulated in this Section.



ALCOHOLIC LIQUOR REGULATIONS  
(Effective 3/25/76)  
(Amended 4/25/81)

SECTION 5.4 ALCOHOLIC LIQUOR REGULATIONS

5.4.1 General Requirements: The sale of alcoholic liquor as defined by State Statutes shall be regulated in accordance with the requirements hereinafter specified.

5.4.1.1 Endorsement of State Applications: The Zoning Enforcement Officer shall have authority to certify compliance with these Regulations on all applications for alcoholic liquor permits, when required under the provisions of the State Liquor Control Act or the regulations of the State Liquor Control Commission.

5.4.1.2 Restriction of Permit Locations: Except where specifically exempted by these Regulations, no establishment selling or serving alcoholic liquor shall be located on any lot within a distance of 300 feet measured in a straight line between the nearest lot lines of any public park or playground; public, parochial or private nonprofit school; place of worship; public library, auditorium, theater, or other public assembly place; or hospital or other duly authorized health institution. No existing permit premises shall be deemed to become non-conforming by the subsequent establishment of the foregoing uses.

In any shopping center exceeding 40,000 square feet (see Sec. 5.4.5) notwithstanding the foregoing, an establishment selling or serving alcoholic liquor may be located at least 400 feet from the uses listed in this section, i.e. public park, playground, public, parochial or nonprofit school; place of worship; public library, auditorium, theater, or other public assembly places; or hospital or other duly authorized health institution.

The required distance (400 feet) shall be measured from the nearest public entrance door of the proposed liquor establishment (closest point to closest point in a straight line) to the nearest common boundary line shared by the above listed uses, i.e. public park, or playground, public, parochial or private, non-private school, place of worship; public library, auditorium, theater, or other public assembly places; or hospital or other duly authorized health institution.

5.4.1.3 Temporary Permits: The Planning & Zoning Board may approve applications for one day permits for the sale of beer or ale, subject to appropriate conditions and safeguards deemed necessary by the Board, notwithstanding the provisions of Section 5.4.1.2 above.

5.4.2 Warehouses and Wholesale Uses: Selling alcoholic liquor at wholesale as defined by State Statutes, shall be allowable in applicable Zoning Districts subject to the same conditions as any other warehouse or wholesale use in the respective zone, notwithstanding the provisions of Section 5.4.1.2 above.

5.4.3 Package Store, Drug Store and Grocery Store: Permits shall be allowable in applicable Zoning Districts, provided that they are located 1,500 ft. as measured from the nearest public entrance door to the nearest public entrance door (within street rights-of-way) of any other location at which alcoholic liquor is sold for off-premises consumption.

5.4.4 Restaurant, Tavern, Cafe, Hotel and Club Permits: Subject to the requirements of the applicable Zoning District for each type of use, the following shall be allowable:

5.4.4.1 Restaurant Permits: As defined by State Statutes may be allowed provided the use shall be located at least 1,500 feet and measured from the nearest public entrance door to nearest public entrance door (within street rights-of-way) of any other restaurant or from any tavern, cafe, of hotel permit, except as provided in these Regulations.

5.4.4.2 Tavern and Cafe Permits: As defined by State Statutes may be allowed provided the use shall be located at least 1,500 feet as measured from the nearest public entrance door to the nearest public entrance door (within street rights-of-way) of any other tavern, cafe, or hotel permit or from any restaurant permit, except as provided in Section 5.4.5.

5.4.4.3 Hotel Permits: As defined by State Statutes shall be allowable in applicable Zoning Districts.

5.4.4.4 Clubs, Lodges and Fraternal Organizations: Serving alcoholic liquor shall be allowable in applicable Zoning Districts.

5.4.5 Shopping Centers Containing a Minimum of 40,000 Square Feet of Floor Area: Notwithstanding the provisions of Sec. 5.4.3 and 5.4.4, such shopping centers shall be allowed to have one liquor permit for each 40,000 square feet. of floor area or major fraction thereof in said shopping center, except not more than one package or drug store permit shall be allowed in any such center. There shall be no limit to the number of grocery beer permits nor shall they be counted as liquor permits as mentioned in the foregoing paragraph.

5.4.6 Removal to New Location: Any permitted using any premises for serving or selling alcoholic liquor under a permit issued by the State Liquor Control Commission may move said place of business to another premises located in a Zoning District which allows such use, subject to the same procedures as a new location and the rules and regulations of the State Liquor Control Commission.

5.4.7 Change of Use: The change of an existing use of a building or structure, whether or not a liquor permit exists at the location, to a proposed use either serving or selling alcoholic liquor shall be subject to this Section in the same manner as a new use either serving or selling alcoholic liquor.

## SECTION 5.5 EARTH FILLING AND REMOVAL REGULATIONS

5.5.1 General Procedure: The Planning and Zoning Board may permit the filling with and/or removal of any earth, loam, topsoil, sand, gravel, clay, stone or other material (hereafter referred to as earth products) in accordance with the procedures and requirements hereinafter specified.

5.5.2 Removal Permits: No removal of any earth products shall be permitted from any lot or property in any Zoning District until the Planning and Zoning Board approves a Special Permit in accordance with ARTICLE VII, herein.

5.5.3 Filling Permits: No filling with any earth products or any other material shall be permitted on any land located in or within a distance of 25 feet of any flood hazard area, waterbody, watercourse, or wetland until the Planning and Zoning Board approves a Special Permit in accordance with ARTICLE VII, herein.

5.5.3.1 Said distance of 25 feet shall be measured in a straight line from:

- (1) The regulatory flood protection elevation;
- (2) The mean high water watermark of tidal waterbodies and tidal watercourses;
- (3) The seasonal high water level of all other waterbodies, watercourses; or
- (4) The legally established wetland boundaries, as applicable.

5.5.3.2 The City Engineer shall approve said elevations, marks, levels, and boundaries when same are not otherwise established by an agency of the State and/or Federal Government.

5.5.4 Exemptions: The provisions of this Section and the requirements to obtain a Special Permit shall not apply to filling or removal in the following cases, provided that such will not otherwise be subject to Flood Hazard Regulations, Section 5.6 herein.

5.5.4.3 Necessary filling with or removal of earth products in direct connection with the building construction, structural alteration or site improvements on a lot for which a building permit has been issued or in direct connection with required site improvements in accordance with an approved subdivision plan; provided that the filling or removal shall be deemed the minimum quality necessary to make such site suitable for the proposed use.

5.5.4.2 Necessary filling with or removal of earth products in direct connection with street or utility improvements within a public right-of-way.

5.5.5 Site Plan Requirements: Applications for a Special Permit shall include a Site Plan, in accordance with ARTICLE VII, herein, showing the following additional information, where appropriate:

- 5.5.5.1 The amount, area, and type of proposed fill, other structure elevating techniques, retaining walls, levees, channel modifications, seawalls, rip-rapping and other methods designed to overcome flood and/or erosion related hazards.
- 5.5.5.2 The amount, area and nature of proposed grading, dredging, excavating, or removing of earth products. It shall be the responsibility of the petitioner to justify the need for any earth product removal, and blasting associated therewith, and any processing required of earth products at the excavation site. It shall be the prerogative of the Board to deny or alter any such request if it deems that such has not been justified.
- 5.5.5.3 Grading plans, based on actual surveys and referenced to U.S.G.S. datum, indicating the elevations and extent and the slopes of all proposed contour lines at intervals of two feet or less or by other appropriate means.
- 5.5.5.4 Storm drainage plans showing the drainage area and estimated runoff of the area to be served by any existing drainage facilities, together with detailed plans and specifications of all proposed drainage facilities or other protective devices to be constructed in connection with the proposed use.
- 5.5.5.5 Landscaping plans showing the type, location and extent of all proposed planting or vegetation to be retained on or restored to the site for erosion prevention.
- 5.5.5.6 Proposed vehicular access to the site and proposed work roadways within the site.
- 5.5.5.7 The estimated number and types of trucks and other machinery including separators or processing equipment, where applicable, proposed to be used on the site.
- 5.5.5.8 The estimated starting and completion dates and the estimated hours and days of the week proposed for the operation on the site.
- 5.5.5.9 Approval by Fire Marshal of plans for any proposed blasting and/or storing of explosives on the site.
- 5.5.5.10 Approval by the appropriate State Department for any regulated activity within a legally established wetland shall be submitted with the application.

5.5.5.11 The Board may, when deemed necessary to protect the public health, safety, and general welfare, environment, require a soils investigation, based on the most recent grading plan. Such reports shall include data regarding the nature, distribution, and strength of existing soils, conclusions and recommendations for grading procedures, design criteria for corrective measures, and the effect of soil conditions on the proposed development.

5.5.6 Standards and Conditions:

5.5.6.1 The filling or removal shall be carried out in accordance with the maps and plans as approved by the Board and within the limits shown thereon; and within the time limits imposed by the Board.

5.5.6.2 The filling or removal shall not result in steep slopes, pits or depressions, or soil erosion, drainage or sewage problems or conditions which would impair the reasonable reuse and development of the site.

5.5.6.3 At all stages of the work or operation, proper drainage shall be provided to avoid stagnant water, soil erosion problems, excessive runoff, silting of streams and damage to public property, streets or drainage facilities.

5.5.6.4 At all stages of the work or operation where any excavation or fill will have a depth of ten feet or more and/or will create a slope of more than 1 foot vertical to 2 feet horizontal, the Board may require a substantial fence enclosing the fill or excavation. Such fence shall be at least six feet in height with suitable gates and shall be located at least 25 feet from the edge or toe of the excavation or fill.

5.5.6.5 Truck access to the lot and the work area shall be so arranged as to minimize traffic hazards on streets and to avoid nuisance to residents of the neighborhood.

5.5.6.6 No grading, excavating or removal shall be carried to a depth below the regulatory flood protection elevation, nor to a depth below the mean high water level of any waterbody, watercourse, or seasonal high water table on the lot; unless:

- (1) The Board specifically authorized as an integral part of the Special Permit a proposed man-made water area, or provisions to refill and compact the area with suitable material, or similar provision to otherwise protect the area from flood and erosion related hazards; and

- (2) Such grading, excavation or removal is in strict accordance with all applicable provisions of the Flood Hazard Regulations, Section 5.6, herein.
- 5.5.6.7 No grading, excavation or removal shall extend below the elevation of any abutting street or lot line; unless:
- (1) Either grading, excavation or removal is set back at least 100 feet from said street or lot line; or
  - (2) The Board finds, after a study of the proposed Site Plan, that the public health, safety and general welfare would be best served by a lesser setback distance.
- 5.5.6.8 No filling shall extend above any street, lot or portion thereof, which is located below the regulatory flood protection level; unless:
- (1) Both such filling is authorized as an integral part of the Special Permit; and
  - (2) Such filling is in strict accordance with all applicable provisions of the Flood Hazard Regulations, Section 5.6, herein.
- 5.5.6.9 The Board may require the applicant to reserve adequate slope and/or drainage easements on the lot in order to allow the necessary coordination of any grading, filling, excavating, or removal operations that might be permitted on any abutting lot or street.
- 5.5.6.10 No rock crushers, separators or processing machinery shall be allowed unless located on a lot which was zoned M-2 Heavy Industrial as of October 1, 1973 (Refer to Zoning Regulations of the City of Milford, Connecticut, 1968 and accompanying Map, Building Zones, July 1969 as amended) and unless the number, type, size and nature of machinery is specifically authorized by the Board as a integral part of a Special Permit Approval for removal of earth products. Any such machinery shall be set back from any street or lot line a minimum prescribed distance as deemed necessary by the Board to protect the health, safety and general welfare, but in no case shall such setback be less than 200 feet from a street and all lot lines and 250 feet from a Residential Zone. Any such machinery shall be used only for materials originating on the site covered by the Special Permit for removal operations, and shall be removed from the lot upon termination of the Special Permit. Further, allowance of such machinery shall be limited to a maximum of three years, subject to approval by the Planning and Zoning Board for each one year for continuation up to said three year maximum.

- 5.5.6.11 No materials shall be stockpiled and no equipment or structures authorized by the Special Permit shall be operated or located beyond the limits of the specific area approved for filling or removal.
- 5.5.6.12 All work in connection with filling or removal operations shall be limited to the hours and days of the week that may be specified by the Board.
- 5.5.6.13 In order to minimize any flooding hazard, the applicant shall comply with all applicable provisions of Section 5.6, Flood Hazard Regulations, herein.
- 5.5.6.14 In order to minimize any dust and/or noise pollution, the applicant shall comply with all applicable provisions of Section 5.9, Performance Standard Regulations, herein.
- 5.5.6.15 Upon completion of the work or operation authorized, the area graded, filled, removed or otherwise disturbed ground shall be prepared or restored as follows:
- (1) Materials used for filling shall have been approved by the Planning and Zoning Board and the City Engineer. All fills shall be adequately compacted to an acceptable density, as determined by the Board or its authorized agent, in order to safely support any buildings, structures or uses and to aid in preventing the saturation, slipping or erosion of fill. Where wind or water erosion is a factor, fill shall be adequately protected by bulkheads, rip-rap, planting suitable grass or other vegetation, or other protective measures.
  - (2) Such area shall be evenly graded to slopes not exceeding one foot vertical to two feet horizontal distance or to such lesser slope necessary for soil stability, safety and reasonable reuse and development of the lot; in addition, the area shall be evenly graded with sufficient slopes to assure adequate drainage of the area, so that stagnant pools of water will be avoided.
  - (3) Suitable drainways of gradual slope shall be provided to assure adequate drainage.
  - (4) All loose debris shall be incorporated into the improvement of the lot or shall be removed from the lot.
  - (5) Sufficient topsoil or loam shall be retained on, or otherwise provided for, the lot and shall be spread over the entire area to a depth of at least 6 inches; and the area shall then be suitably seeded, planted, landscaped and maintained until the ground shall be completely stabilized with a dense cover of vegetation and there exists no danger of erosion; except that this provision shall not apply to areas of water nor to exposed areas of ledge either existing prior to the work or specifically authorized as part of the Special Permit.



5.5.6.16 The Board may require the applicant to submit periodic reports, prepared and certified by a professional engineer licensed in the State of Connecticut, showing the status and progress of the work or operation.

5.5.6.17 When a Special Permit is granted involving filling and/or removal of earth products over an area of two acres or more, the permittee shall, before commencing operations:

(1) File with the Planning & Zoning Board a set of drawings, in ink, on transparent linen tracing cloth, or reproducible copies on mylar, of the approved plan.

(2) Install one or more permanent bench marks (where they will remain throughout the life of the Permit) at locations designated by the City Engineer (effective 12/18/76).

5.5.7 Existing Operations: Legally established filling and removal projects in actual operation and not under a valid Special Permit on the effective date of these Regulations, may continue operations; provided that once each year, within 65 days after notice by the Board, the owner of such existing project shall present plans showing the present conditions of the property, the extent of excavations contemplated and proposed ultimate development of the property, and further provided that the Board approves said plans subject to such conditions as may be in the best interests of the City and in harmony with these Regulations.

## SECTION 5.6 FLOOD HAZARD AND FLOOD DAMAGE PREVENTION REGULATIONS

5.6.1 Purpose: It is the purpose of these flood hazard and flood damage regulations to promote the public health, safety and general welfare and to minimize public and private losses due to flood conditions in specific areas by provisions designed to:

- (1) Require that land, buildings, structures and uses thereof which are vulnerable to floods, including facilities which serve such uses, be provided with a safe building site and access and be adequately protected against flood and erosion damage at the time of initial construction.
- (2) Require that land areas which are unsuited for intended purposes because of flood or erosion hazard be delineated on any site or subdivision plan and that such areas which are not suitable for development be subject to easements or other legal restrictions necessary for the protection thereof.
- (3) Control grading, filling, dredging, excavating and removal which may increase erosion or damage.
- (4) Control the alteration of dunes and other natural protective barriers.
- (5) Regulate the construction of seawalls, bulkheads, groins, jetties and other work which may increase flood and erosion damage to other lands.
- (6) Protect human life and health.
- (7) Minimize expenditure of public money for costly flood control projects.
- (8) Minimize the need for rescue and relief efforts associated with flooding and generally undertaken at the expense of the general public.
- (9) Minimize prolonged business interruptions.
- (10) Minimize damage to public facilities and utilities such as water and gas mains, electric, telephone and sewer lines, streets and bridges located in areas of special flood hazard.
- (11) Help maintain a stable tax base by providing for the second use and development of areas of special flood hazard so as to minimize future flood blight areas.
- (12) Ensure that potential buyers are notified that property is in an area of special flood hazard.
- (13) Ensure that those who occupy the areas of special flood hazard assume responsibility for their actions.

5.6.2 Zoning Applicability: Flood Hazard and Flood Damage Prevention Regulations shall apply to all lands, building, structures, structural, alterations and uses in any Zoning District where lands, buildings, structures, structural alterations and uses are, or are proposed to be located, below the regulatory flood protection elevations as defined herein. The areas of special flood hazard identified by the Federal Insurance Administration in a scientific and engineering report entitled, "The Flood Insurance Study for the City of Milford", effective July 2, 1987 with accompanying Flood Insurance Rate Maps and the Flood Hazard Boundary-Floodway Map, is hereby adopted by reference and declared to be part of this Section 5.6.

5.6.3 Procedure: No land, building, structure or use shall be developed or constructed below the regulatory flood protection elevation in any Zoning District unless and until the Planning & Zoning Board has previously approved a Site Plan and authorized the issuance of a special permit in accordance with ARTICLE VII herein, and the procedures, requirements, conditions and standards set forth hereinafter. Single family homes and buildings, or structures accessory to a residential use, shall be subject to Site Plan Review only and may be exempted from full compliance with Section 5.6.5.1 by the Planning & Zoning Board.

5.6.4 Compliance: No land, buildings, structure or use shall hereafter be developed or constructed without full compliance with the provisions of this Section; the Earth Fill & Removal Regulations, Section 5.5 where applicable; and all other applicable provisions of these Regulations, the City Subdivision Regulations, State and City Health and/or Sanitary Codes, and other laws and regulations which apply to land buildings, structures and uses within the jurisdiction of these regulations.

5.6.4.1 Establishment of Development Permit: A Development Permit shall be obtained before construction or development begins within an area of special flood hazard established in Section 5.6.2. Application for a Development Permit shall be made on forms furnished by the Zoning Enforcement Officer for the Planning and Zoning Board and may include, but not be limited to, plans, drawn to scale showing the nature, location, dimensions and elevation of the area in question; existing or proposed structures, fill, storage of materials, drainage facilities, and the location of the foregoing. Specifically, the following information is required:

- (1) Elevation in relation to mean sea level of the lowest floor (including basement) of all structures based on U.S.G.S Datum.
- (2) Elevation in relation to mean sea level to which any structure has been flood-proofed.
- (3) Certification by a registered professional engineer or architect that the flood-proofing criteria in Section 5.6.13.2 has been complied with.
- (4) Description of the extent to which any watercourse will be altered or relocated as a result of proposed development.
- (5) Plans for any walls to be used to enclose space below the base flood level (nonresidential only).

5.6.4.2 Designation of the Zoning Enforcement Officer for the City of Milford: The Zoning Enforcement Officer for the city of Milford is hereby appointed to administer and implement this Section 5.6 by granting or denying Development Permit applications in accordance with its provisions.

5.6.4.3 Duties and Responsibilities of the Zoning Enforcement Officer for the City of Milford: Duties of the Zoning Enforcement Officer shall include, but not be limited to:

- (1) Review all development permits to determine that the permit requirements of this Section 5.6 have been satisfied as approved by the Planning & Zoning Board.
- (2) Review all development permits if specific State or Federal permits are specifically required as a condition of approval as imposed by the Planning & Zoning Board.
- (3) Review all development permits in the area of special flood hazard except in the coastal high hazard area to determine if the proposed development adversely affects the flood carrying capacity of the area of special flood hazard. For the purpose of this Section 5.6, "adversely affects" means the cumulative effect of the proposed development when, combined with all other existing and anticipated development, increases the water surface elevation of the base flood more than one foot at any point.
- (4) Review all development permits in the coastal high hazard area of the area of special flood hazard to determine if the proposed development alters sand dunes so as to increase potential flood damage.
- (5) Review plans for walls to be used to enclose space below the base flood level in accordance with Section 5.6.14.2(4).

5.6.4.4 Use of Other Base Flood Data:

When base flood elevation & floodway data has not been provided in accordance with Section 5.6 BASIS FOR ESTABLISHING THE AREAS OF SPECIAL FLOOD HAZARD, the Zoning Enforcement Officer for the City of Milford shall obtain, review and reasonably utilize any base flood elevation and floodway data available from a Federal/State or other source, in order to administer Section 5.6.13.1 SPECIFIC STANDARDS, Residential Construction and 5.1.13.2 SPECIFIC STANDARDS Nonresidential CONSTRUCTION.

In the event that an area in Milford is discovered to be without a base flood elevation or floodway designation and it becomes necessary to determine the base flood elevation or the limits of the width of the floodway, the consulting hydrologist shall determine the base flood elevation or floodway width based on a design to carry the waters of the flood without increasing the water surface elevation of that flood more than one foot at any point.

5.6.4.5 Information to be Obtained and Maintained:

- (1) Obtain and record the actual elevation in relation to mean sea level of the lowest habitable floor including basement, of all new or substantially improved structures.
- (2) For all new substantially improved flood-proofed structures.
  - (a) Verify and record the actual elevation (in relation to mean sea level).
  - (b) Maintain the flood-proofing certifications required in Section 5.6.4.1 (3).
- (3) In coastal high hazard areas, certification shall be obtained from a registered professional engineer or registered land surveyor that the structure is securely anchored to adequately anchored pilings or columns in order to withstand velocity waters and hurricane wave wash.
- (4) Maintain for public inspection all records pertaining to the provisions of this Section 5.6.

5.6.4.6 Alteration of Watercourses:

- (1) Notify adjacent communities and the REGIONAL Planning Agency prior to any alteration or relocation of a watercourse, and submit evidence of such notification to the Federal Insurance Administration.
- (2) Require that maintenance is provided within the altered or relocated portion of said watercourse so that the flood carrying capacity is not diminished.

5.6.4.7 Interpretation of Firm Boundaries: Make interpretations where needed, as to the exact location of the boundaries of the areas of special flood hazards (for example, where there appears to be a conflict between a mapped boundary and actual field conditions). The person contesting the location of the boundary shall be given a reasonable opportunity to appeal the interpretation as provided in Section 5.6.4.8.

#### 5.6.4.8 Variance Procedure:

##### 5.6.4.8.1 Appeal Board:

- (1) The Zoning Board of Appeals as established by the City of Milford shall hear and decide appeals and requests for variances from the requirements of this Section 5.6.
- (2) The Zoning Board of Appeals shall hear and decide appeals when it is alleged there is an error in any requirement, decision or determination made by the Zoning Enforcement Officer in enforcement or administration of this Section 5.6.
- (3) Those aggrieved by the decision of the Zoning Board of Appeals, or any taxpayer, may appeal such decision to the Superior Court, as provided in the Connecticut General Statutes.
- (4) In passing upon such applications, the Zoning Board of Appeals shall consider all technical evaluations, all relevant factors, standards specified in other section of this Section 5.6 and:
  - (a) The danger that materials may be swept onto other lands to the injury of others.
  - (b) The danger to life and property due to flooding or erosion damage.
  - (c) The susceptibility of the proposed facility and its contents to flood damage and the effect of such damage on the individual owner.
  - (d) The importance of the services provided by the proposed facility to the community.
  - (e) The necessity to the facility of a waterfront location where applicable.
  - (f) The availability of alternative locations for the proposed use, which are not subject to flooding or erosion damage.
  - (g) The compatibility of the proposed use with existing and anticipated development.
  - (h) The relationship of the proposed use to the comprehensive plan and flood plain management program of that area.
  - (i) The safety of access to the property in times of flood for ordinary and emergency vehicles.
  - (j) The expected heights, velocity, duration, rate of rise, and sediment transport of the flood waters and the effects of wave action, if applicable expected at the site; and,
  - (k) The costs of providing governmental services during and after flood conditions, including maintenance and repair of public utilities and facilities such as sewer, gas, electrical, and water systems, and streets and bridges.
- (5) Generally, a variance may be issued for new construction and substantial improvements to be erected on a lot of one-half acre or less in size, contiguous to and surrounded by lots with existing structures constructed below the base flood level, providing items (a-k) in Section 5.6.4.8.1(4) have been fully considered. As the lot size increases beyond the one-half acre, the technical justification required for issuing the variance increases.

- (6) Upon consideration of the factors in Section 5.6.4.8.2(4) and the purposes of this Section 5.6, the Zoning Board of Appeals may attach such conditions to the granting of variances as it deems necessary to further the purposes of this Section 5.6.

#### 5.6.4.8.2 Conditions for Variances:

- (1) Variances may be issued for the reconstruction, rehabilitation or restoration of structures listed on the National Register of Historic Places or the State Inventory of Historic Places without regard to the procedures set forth in the remainder of this section.
- (2) Variances shall not be issued within any designated floodway if any increase in flood levels during the base flood discharge would result.
- (3) Variances shall only be issued upon a determination that the variance is the minimum necessary, considering the flood hazard to afford relief.
- (4) Variances shall only be issued upon:
  - (a) A showing of good and sufficient cause;
  - (b) A determination that the granting of a variance would not result in increased flood heights, additional threats to public safety, extraordinary public expense, create nuisances, cause fraud on or victimization of the public, or conflict with existing local laws or ordinances.
- (5) Any applicant to whom a variance is granted shall be given written notice that the structure will be permitted to be built with a lowest floor elevation below the base flood elevation, and that the cost of flood insurance will be commensurate with the increased risk resulting from the reduced lowest floor elevation.

5.6.5 Any application for new buildings shall be accompanied by building plans, floor plans and elevations prepared by a professional engineer and/or architect registered in the State of Connecticut.

5.6.5.1 Statutory Authorization: The Legislature of the State of Connecticut has in the Connecticut General Statutes delegated the responsibility to locate governmental units to adopt regulations designed to promote the public health, safety and general welfare of its citizenry. Therefore, the Planning and Zoning Board of Milford, Connecticut does ordain as follows:

#### 5.6.5.2 Findings of Fact:

- (1) The flood hazard areas of Milford are subject to periodic inundation which results in loss of life and property, health and safety hazards, disruption of commerce and governmental services, extraordinary public expenditures for flood protection and relief and impairment of the tax base, all of which adversely affect the public health, safety and general welfare.

- (2) These flood losses are caused by the cumulative effect of obstructions in areas of special flood hazards, which increase flood heights and velocities, and when inadequately anchored, damage uses in other areas. Uses that are inadequately flood-proofed, elevated or otherwise protected from flood damage also contribute to the flood loss.

5.6.6 Use Requirements: No building, structure or use shall be allowed which, alone or in combination with existing or proposed uses, will adversely affect the capacity of channels, watercourses, drainage ditches, or other drainage facilities and/or will increase flood damages to other lands or accelerate erosion. When the Planning and Zoning Board determines that only a portion of a lot can be safely developed or used, it shall limit such development or use to that portion and shall require that the method of development or usage be consistent with its determination.

5.6.6.1 All Buildings and Structures in any AE & VE Flood Zone:

- (1) Buildings and structures shall be designed with low flood damage potential.
- (2) Buildings and structures shall be constructed and placed on the lot so as to offer the minimum resistance to the flow of flood waters.
- (3) Structures shall be firmly anchored to prevent flotation which may result in damage to other structures.
- (4) Service facilities such as electrical and heating equipment shall either be constructed at or above the regulatory flood protection elevation or be otherwise structurally flood-proofed.

5.6.6.2 Residential Buildings: Dwellings and other similar buildings designed for human habitation shall be constructed on fill, pilings, interrupted walls, or elevated by other acceptable means so that the lowest floor level is at the regulatory flood protection elevation or higher. Elevating members of the structure should be properly footed to withstand saturated conditions and located so as to reduce scour effects.

5.6.6.3 Non-Residential Buildings and Structures: Buildings and structures, other than dwellings and similar buildings designed for human habitation, shall ordinarily be elevated as provided in Section 5.6.2 above. However, the Board may permit non-residential buildings and structures, with the lowest floor level below the regulatory flood protection elevation, where adjacent streets or utilities already exist below said elevation or other special circumstances make strict compliance with Section 5.6.6.2 above, impractical. Such non-residential buildings and structure may, in special circumstances be otherwise structurally flood-proofed as provided in Section 5.6.8 herein.

- (1) Structurally, flood-proofed buildings shall be designed to withstand:
  - (a) Crushing from weight of water on outside walls.



- (b) Uplift pressures on the basement or slab foundations.
- (c) Wind action from hurricanes.

5.6.6.4 Open Space Uses: Other structures and uses which have a predominantly open space character, which will not be subject to substantial flood damage, and which will not cause flood damage to other lands, as determined by the Board, may be allowed at an elevation below the regulatory flood protection elevation.

5.6.6.5 Storage of Material and Equipment: The storage or processing of materials that are (in time of flooding) flammable, explosive or injurious to human, animal or plant life is prohibited. Open or outdoor storage of any material or equipment is prohibited.

5.6.6.6 Grading, Filling, Dredging, Excavating and Removing: The Board may permit grading, filling, dredging, excavating or removing of any earth products subject to the Earth Fill and Removal Regulations, Section 5.5, herein. The Board may permit the proposed activity only if it will not increase flood hazards, cause or accelerate erosion or otherwise interfere with natural drainage.

5.6.6.7 Alteration of Natural Protective Barriers: Sand dunes, barrier beaches and other natural protective barriers shall remain intact to provide protection against wind, waves and erosion damage. The Board may, subject to the Earth Fill and Removal Regulations, Section 5.5, herein, permit the removal of sand blown or washed upon improved properties by action of high winds and tides, provided that the sand removal will not create a hazardous condition upon the improved property or other properties.

5.6.6.8 Flood and Erosion Control Works: Necessary and appropriate flood and erosion control works may be permitted by the Board provided that:

- (1) Detailed plans, specifications and costs for the proposed work shall be prepared by a registered professional engineer licensed in the State of Connecticut.
- (2) No such works shall damage the subject or adjoining properties.
- (3) All such works shall be designed to provide a degree of protection consistent with the intended use of the subject property.
- (4) Any fill and other materials for protective works shall be adequately protected against erosion by bulkheads, rip-rap, planting suitable vegetation or other protective measures.
- (5) The applicant shall first obtain all necessary State and Federal approvals for the proposed works.

5.6.7 Improvement Requirements: No land, building structure, or use shall be allowed without necessary and appropriate improvements to minimize any flood and erosion related hazards and to protect the public health, safety and welfare.

5.6.7.1 Street and Driveways: All proposed streets and at least one proposed access driveway shall be adequate to allow emergency evacuation from the lot and from such principal building or use thereon. Any proposed roads or modification of existing road elevations in a VE Zone shall, in accordance with accepted engineering practice, follow the contour of the land without creating a ditch effect or a dike effect. Necessary drainage openings, such as culverts or bridges, shall be sufficient to discharge flood flows without unduly increasing flood heights. All proposed street and driveway intersection with existing public streets shall be subject to approval by the City Engineer and shall be designed with adequate control distances, grades, vertical curves, and similar design criteria, as deemed necessary by the City Engineer.

5.6.7.2 Drainage Facilities: Storm drainage facilities shall be designed to convey the flow of surface waters without damage to persons or property and to prevent the discharge of excess runoff onto adjacent properties, and shall be subject to approval by the City Engineer. The system shall insure adequate drainage at all points along street and lot lines, and shall provide positive drainage away from buildings. The Board may require a primary underground system to accommodate frequent floods and a secondary surface system to accommodate larger, less frequent floods.

5.6.7.3 Sewer Facilities: No land, building, structure or use thereof shall be approved by the Board unless said use is served by an approved public sanitary sewage disposal system. The Board shall require the applicant to provide adequate sewage facilities to connect to said system, and shall prescribe the procedures to be followed by the applicant in connecting thereto. All proposed sewage facilities shall be structurally flood-proofed or otherwise protected to a height above the regulatory flood protection elevation, and shall be height above the regulatory flood protection elevation, and shall be subject to approval by the City Engineer and Health Administrator.

5.6.7.4 Water Supply Facilities: If there is an existing public water supply system on or near the lot, the Board may require the applicant to connect to such system, and shall prescribe the procedures to be followed by the applicant in connecting thereto. All proposed water supply facilities shall be structurally flood-proofed or otherwise protected to a height above the regulatory flood protection elevation, and shall be subject to approval by the City Engineer and Health Administrator.

5.6.8 Conditions and Safeguards: The Planning and Zoning Board may attach necessary conditions and appropriate safeguards to a special permit approval for areas subject to flood, erosion and similar development hazards. Such conditions and safeguards may include, but shall not be limited to, the following:

5.6.8.1 Construction and modification of drainage, waste disposal and water supply facilities to meet the provisions of these regulations.

5.6.8.2 Construction and modification of channel improvements, groins, jetties, bulkheads, levees and other flood protective or erosion control measures.

5.6.8.3 Imposition of operation controls, sureties, and legal restrictions.

5.6.8.4 Flood-Proofing Measures: Flood-proofing measures such as the following, shall be designed consistent with the flood protection elevation, flood velocities, durations, rate of rise, hydrostatic and hydrodynamic forces, and other factors associated with the regulatory flood. The Board shall require that the applicant submit all necessary plans, specifications and other documents certified by a registered professional engineer, that the flood-proofing measures are consistent with the regulatory flood protection elevation and associated flood factors for the particular area. The following flood-proofing measures may be required:

- (1) Anchorage to resist flotation and lateral movement.
- (2) Installation of water tight doors, bulkheads, and shutters or similar methods of construction.
- (3) Reinforcement of walls to resist water pressures.
- (4) Use of paints, membranes, or mortars to reduce seepage of water through walls.
- (5) Addition of mass or weight to structures to resist flotation.
- (6) Installation of pumps to lower water levels in structures.
- (7) Construction of water supply and waste treatment systems so as to prevent the entrance of flood waters.
- (8) Pumping facilities or comparable practices for subsurface drainage systems for buildings to relieve external foundation wall and basement flood pressures.
- (9) Construction to resist rupture or collapse caused by floating debris.
- (10) Installation of valves or controls on sanitary and storm drains which will permit the drains to be closed to prevent backup of sewage and storm waters into the buildings or structures. Gravity draining of basements may be replaced by mechanical devices.
- (11) Location of all electrical equipment, circuits and installed electrical appliances in a manner which will assure they are not subject to flooding and to provide protection from inundation by the regulatory flood.

(12) Location of any structural storage facilities for chemicals, explosives, buoyant materials, flammable liquids or other toxic materials, which could be hazardous to public health, safety and welfare in a manner which will assure that the facilities are situated at elevations above the height associated with the regulatory protection elevation or are adequately flood-proofed to prevent flotation of storage containers, or damage to storage containers which could result in the escape of toxic materials into flood waters.

5.6.9 Methods of Reducing Flood Losses: In order to accomplish its purposes, this Section 5.6 includes methods and provisions for:

- (1) Restricting or prohibiting uses which are dangerous to health, safety and property due to water or erosion hazards which result in damaging increases in erosion or in flood heights or velocities.
- (2) Requiring that uses vulnerable to floods, including facilities which serve such uses, be protected against flood damage at the time of initial construction.
- (3) Controlling the alteration of natural flood plains, stream channels and natural protective barriers, which help accommodate or channel flood waters.
- (4) Controlling filling, grading, dredging and other development which may increase flood damage.
- (5) Preventing or regulating the construction of flood barriers which will unnaturally divert flood waters or which may increase flood hazards in other areas.

5.6.10 Warning and Disclaimer of Liability: The degree of flood protection required by this Section 5.6 is considered reasonable for regulatory purposes. This Section 5.6 shall not create liability on the part of the City of Milford or any officer or employee thereof, or the Federal Insurance Administration for any flood damages that result from reliance on this Section 5.6 or any responsibility or liability arise from the design or operation of any street, utility or similar improvements dedicated to the City, if the City has not officially accepted in writing the dedication and agreed to maintain and operate such improvements.

The degree of flood protection required by this Section 5.6 is considered reasonable for regulatory purposes and is based on scientific and engineering considerations. Larger floods can and will occur on rare occasions. Flood heights may be increased by man-made or natural courses. This ordinance does not imply that land outside the areas of special flood hazards or uses permitted within such areas will be free from flooding or flood damages.

5.6.11 Interpretation: In the interpretation and application of this Section 5.6, all provisions shall be:

- (1) Considered as minimum requirements.
- (2) Liberally construed in favor of the governing body and applies to this Section 5.6 only, not to these regulations in general.
- (3) Deemed neither to limit nor repeal any other powers granted under State Statutes.

5.6.12 General Standards & Provisions for Flood Hazard Reduction:  
In all areas of special flood hazards, the following standards are required:

5.6.12.1 Anchoring:

- (1) All new construction and substantial improvements shall be anchored to prevent flotation, collapse, or lateral movement of the structure.

Manufactured Homes:

- (2) (a) All manufactured homes, including "mobile" homes placed on a site or substantially improved, shall be elevated so that the lowest floor is above the base flood elevation;
- (b) It shall be placed on a permanent foundation which itself is securely anchored and to which the structure is securely anchored so that it will resist flotation, lateral movement, and hydrostatic and hydrodynamic pressures. Anchoring may include, but not be limited to, the use of over-the-top or frame ties to ground anchors.

5.6.12.2 Construction Materials and Methods:

- (1) All new construction and substantial improvements shall be constructed with materials and utility equipment resistant to flood damage.
- (2) Electrical, heating, ventilation, plumbing, air conditioning equipment, and other service facilities shall be designed and/or located so as to prevent water from entering or accumulating within the components during conditions of flooding.
- (3) All new construction and substantial improvements shall be constructed using methods and practices that minimize flood damage.

5.6.12.3 Utilities:

- (1) All new and replacement water supply systems shall be designed to minimize or eliminate infiltration of flood waters into the system. (See Section 5.6.7.4)
- (2) New and replacement sanitary sewage systems shall be designed to minimize or eliminate infiltration of flood waters into the systems and discharge from the systems into flood waters. (See Section 5.6.7.3)
- (3) On-site waste disposal systems shall be located to avoid impairment to them or contaminator from them during flooding.

5.6.13 Specific Standards: In all areas of special flood hazards where base flood elevation data has been provided as set forth in Section 5.6.2. BASIS FOR ESTABLISHING THE AREAS OF SPECIAL FLOOD HAZARD, or in Section 5.6.4, USE OF OTHER BASE FLOOD DATA, the following standards are required:

5.6.13.1 Residential Construction: New construction and substantial improvement of any residential structure shall have the lowest floor, including basement, elevated to or above base flood elevation. Such plans shall be certified by a registered professional engineer or certified land surveyor that the provisions of this subsection are satisfied.

5.6.13.2 Non Residential Construction: New construction and substantial improvement of any commercial, industrial or other nonresidential structure shall either have the lowest floor, including basement, elevated to the level of the base flood elevation; or, together with attendant utility and sanitary facilities, shall:

- (1) Be flood-proofed so that below the base flood level the structure is watertight with walls substantially impermeable to the passage of water.
- (2) Have structural components capable of resisting hydrostatic and hydrodynamic loads and effects of buoyancy.
- (3) Be certified by a registered professional engineer or architect that the standards of this subsection are satisfied. Such certification shall be provided to the official as set forth in Section 5.6.4.1 (3).

5.6.13.3 Manufactured Mobile Homes:

- (1) Manufactured mobile homes shall be anchored in accordance with Section 5.6.12.1.
- (2) For new manufactured mobile home parks and manufactured mobile home subdivision:
  - (a) Stands or lots are elevated on compacted fill or on pilings so that the lowest floor of the mobile home will be at or above the base flood level.
  - (b) Adequate surface drainage and access for a hauler are provided.
  - (c) In the instance of elevation on pilings, that:
    - (1) Lots are large enough to permit steps.
    - (2) Piling foundations are placed in stable soil no more than 10 feet apart.
    - (3) Reinforcement is provided for pilings more than six feet above the ground level.
- (3) No manufactured mobile homes shall be placed in a coastal high hazard area except in an existing mobile home park or an existing mobile home subdivision.

- (4) No manufactured mobile home shall be placed in a floodway except in an existing mobile home park or an existing mobile home subdivision.

5.6.13.4 The following section shall apply to residential or nonresidential buildings in an X or AE zone only, not VE zones.

Elevated Buildings: New construction or substantial improvements of elevated buildings that include fully enclosed areas formed by foundation and other exterior walls below the base flood elevation shall be designed to preclude finished living space, and designed to allow for the entry and exit of flood waters to automatically equalize hydrostatic flood forces on exterior walls.

- (1) Designs for complying with this requirement must either be certified by a professional engineer or architect or meet the following minimum criteria:
- (a) Provide a minimum of two openings having a total net area of not less than one square inch for every square foot of enclosed area subject to flooding.
  - (b) The bottom of all openings shall be no higher than one foot above grade; and,
  - (c) Openings may be equipped with screens, louvers, valves, or other coverings or devices provided they permit the automatic flow of flood waters in both directions.

5.6.14 Coastal High Hazard Area: Coastal high hazard areas (V Zones) are located within the areas of special flood hazard established in Section 5.6.2. These areas have special flood hazards associated with high velocity waters from tidal surges and hurricane wave wash; therefore, the following provisions shall apply:

5.6.14.1 Location of Structures: All buildings or structures shall be located landward of reach of the mean high tide.

5.6.14.2 Construction Methods:

- (1) Elevation: All buildings or structures shall be elevated so that the bottom of the lowest supporting member is located no lower than the base flood elevation level, with all space below the lowest supporting member open so as not to impede the flow of water, except for breakaway walls as provided for in Section 5.6.14.2 (4).
- (2) Structural Support:
- (a) All buildings or structures shall be securely anchored on pilings or columns.

(b) Pilings or columns used as structural support shall be designed and anchored so as to withstand all applied loads of the base flood flow.

(c) There shall be no fill used for structural support.

(3) Certification:

Compliance with the provisions of Section 5.6.14.2(1) and 5.6.14.2(2) (a) and (b) shall be certified to by a registered professional engineer or architect.

(4) Space Below the Lowest Floor:

(a) Any alteration, repair, reconstruction or improvement to a structure started after the enactment of this ordinance shall not enclose the space below the lowest floor unless breakaway walls are used as is provided for in this Section.

(b) Breakaway walls shall be allowed below the base flood elevation provided they are not a part of the structural support of the building and are designed so as to breakaway under abnormally high tides or wave action, without damage to the structural integrity of the building on which they are to be used.

(c) If breakaway walls are utilized, such enclosed space shall not be used for human habitation.

(d) Prior to construction, plans for any structure that will have breakaway walls must be submitted to the Zoning Enforcement Officer for approval.

(e) Design safe loading resistance of each breakaway wall shall not be less than 10 nor more than 20 pounds per square foot; or:

(f) If more than 20 pounds per square foot, a registered professional engineer or architect shall certify that the design wall collapse would result from a water load less than that which would occur during the base flood event and the elevated portion of the building and supporting foundation system shall not be subject to collapse, displacement, or other structural damage due to the effects of wind and water loads acting simultaneously on all building components during the base flood event. Maximum wind and water loading values to be used in this determination shall each have one percent (1%) chance of being equalled or exceeded in any given year, 100 year mean recurrence interval.

(g) If breakaway walls, lattice work or screening are utilized the resulting enclosed space shall not be designed to be used for human habitation, but shall be designed to be used only for parking of vehicles, building access, or limited storage of maintenance equipment used in connection with the premises.



- (h) Prior to construction, plans for any structures that will have breakaway walls, lattice work or screening must be submitted to the Zoning Permit Official for approval.
- (i) Any alteration, repair, reconstruction, or improvement to a structure shall not enclose the space below the lowest floor except with breakaway walls, lattice work or screening as provided for in Section (e, f, and g) above.

5.6.14.3 Sand Dunes: There shall be no alteration of sand dunes which would increase potential flood damage.

5.6.15 Floodways: Located within areas of special flood hazard established in Section 5.6.2 are areas designated as floodways. Since the floodway is an extremely hazardous area due to the velocity of flood waters which carry debris, potential projectiles, and erosion potential, the following provisions apply:

- (1) Prohibit encroachments, including fill, new construction, substantial improvements, and other development unless certification by a registered professional engineer or architect is provided demonstrating that encroachments shall not result in any increase in flood levels during the occurrence of the base flood discharge.
- (2) If Section 5.6.15(1) is satisfied, all new construction and substantial improvements shall comply with all applicable flood hazard reduction provisions of Section 5.6.12 GENERAL STANDARDS AND PROVISIONS FOR FLOOD HAZARD REDUCTION.
- (3) Prohibit the placement of any mobile homes, except in an existing mobile home park or existing mobile home park subdivision.

FLOOD HAZARD REGULATIONS AMENDED JUNE 30, 1987.

## SECTION 5.7 CLUSTER DEVELOPMENTS

5.7.1 Purpose: The purpose of this Section is: (1) to promote the most appropriate use of the land at the population density permitted in the applicable Zoning District; (2) to provide flexibility in the design of the development by permitting a variation in lot requirements; (3) to facilitate the adequate design and economical provision of streets, utilities and other site improvements; and (4) to preserve the natural resources of the City through the maximum protection of woodlands, waterbodies, watercourses, steep slopes, scenic vistas, conservation areas, recreation areas, and similar natural features, characteristics and open spaces.

5.7.2 Definition: A Cluster Development shall constitute a development site under one ownership or control containing one or more building lots for residential dwellings each containing one or two (SFA-10, SFA-20 Districts only) dwelling units, which shall be owned and operated under a cooperative or condominium arrangement or developed as a legal subdivision or a combination of the above arrangements.

5.7.2.1 Where an applicant proposes a subdivision, or any portion thereof, which is subject to Final Subdivision Plan Approval under the Subdivision Regulations, the Board may approve and permit said subdivision, or portion thereof, subject to all applicable procedures and requirements of both these Regulations and the Subdivision Regulations.

5.7.3 General Procedures: Cluster developments, comprising one-family dwellings, may be permitted by the Planning & Zoning Board in R-AA, R-A, R-30, R-18 and R-12.5 Districts, and one and/or two family dwellings in SFA-10 and SFA-20 Districts, subject to the procedures, requirements, and limitations set forth hereinafter.

5.7.3.1 Application: The applicant shall submit an application accompanied by the following additional information:

- (1) A written statement of the intended ownership arrangement for the proposed Cluster Development, including means of open space reservation, whether streets are to be public or private, and ownership of common facilities.
- (2) Legal documentation, satisfactory to the City Attorney, assuring ownership, maintenance and operation of all private streets, parking areas, sidewalks, utilities, recreation facilities, open space areas and other private improvements, facilities and areas proposed for the Cluster Development.

5.7.3.2 Review: The Board may approve a Cluster Development, provided it finds that:

- (1) The development site shall contain not less than the minimum gross site area required under this Section for the Residential District in which said development is located.
- (2) The maximum number of lots to be created under the provisions of this Section shall not exceed the number which could be reasonably created in accordance with the provisions of the Residential District in which said development is located;
- (3) The maximum number of dwelling units to be erected under the provisions of this Section shall not exceed the number which could be reasonably created in accordance with the provisions of the Residential District in which said development is located;
- (4) The land and buildings shall be used only for one and two-family dwellings and accessory uses permitted in the applicable Residential District;
- (5) The open space and natural features of the site will be advantageously used and beneficially preserved; and.
- (6) The proposed development shall be in harmony with the purpose and intent of these Regulations.

5.7.3.3 Surety: Final approval of the proposed Cluster Development shall be contingent upon the applicant posting surety with the Board in order to assure satisfactory completion of all proposed improvements, not including dwellings shown on the approved Site Plan and other approved documents.

5.7.4 General Requirements: A Cluster Development shall comply with all requirements of the District in which it is located, except as said requirements may be modified in this Section.

5.7.4.1 Minimum Gross Site Area: The gross acreage of a Cluster Development site shall not be less than three times the minimum lot area requirement from Sections 3.1.4 or 3.2.4 of the District in which said development is located. Any land which is encumbered with existing utility easements or other legal restrictions that will prevent the full use of the site for development shall be computed at the rate of 50% of the encumbered portion of the land in determining the gross acreage.

5.7.4.2 Maximum Number of Lots: The maximum number of lots that may be approved by the Board shall be computed by subtracting from the total gross site area available for use under this Section, a fixed percentage of said total for street right-of-way purposes and dividing the remaining site area by the minimum lot area requirement from Section 3.1.4 or 3.2.4 of the District in which said development is located. This method shall apply regardless of the amount of land actually required for street rights-of-way. The fixed percentages for street rights-of-way purposes to be subtracted from the total gross area to be developed shall be as follows:

Residential Districts	Fixed Street R.O.W Reduction Factor (%)	Dwelling Units per Gross Acre
R-AA	9	0.4550
R-A	10	0.9000
R-30	11	1.2923
R-18	14	2.0812
R-12.5	17	2.8924
SFA-20	13	3.7907

5.7.4.3 Minimum Floor Area: As required in applicable District, Section 3.1.1.1 for one-family dwellings; Section 3.2.1.2 (1) through (4) for two-family dwellings.

5.7.4.4 Minimum Lot & Building Requirements: Under this Section, no lot or development site in a permitted Residential District shall be reduced below the applicable minimum lot and building requirements as set forth hereinafter.

5.7.4.4 (cont.) MODIFIED REQUIREMENTS FOR CLUSTER DEVELOPMENT

Allowable Residential District	Sections 3.1.4 & 3.2.4 Required Minimum Lot Area of Residential District (sq ft)	Modified Lot Area Requirements for Cluster Subd.	Modified Lot Area Required for Co-Op or Condominium Cluster Developments	Modified Yard & Coverage Requirements for Cluster Developments in Accordance w/Section 3.1.4 and 3.2.4 herein
R-AA	87,120	30,000	30,000 per 1 family dwelling	R-30
R-A	43,560	18,000	18,000 per 1 family dwelling	R-18
R-30	30,000	12,500	12,500 per 1 family dwelling	R-12.5
R-18	18,000	10,000	10,000 per 1 family dwelling	R-10
R-12.5	12,500	7,500	7,500 per 1 family dwelling	R-7.5
SFA-20	20,000	10,000	10,000 per 1 or 2 family dwelling	SFA-10

5.7.4.5 Additional Cooperative or Condominium Requirements:

- (1) Buildings shall be so arranged that adequate light and air are provided to each dwelling and shall be so grouped that the minimum distance between buildings shall not be less than one half the sum of their heights.
- (2) Each dwelling shall have suitable access to an adequate street with a minimum pavement width of not less than 14 feet.
- (3) Off-street parking areas shall be located so as not to encroach in any required yard as measured from the development site boundary and shall have a suitable location in relation to dwelling units or facilities served.

5.7.4.6 Open Space Reservations: The land area not allocated to building lots, buildings and/or streets shall be permanently reserved as open space for purposes approved by the Board. The areas to be reserved for open space shall be land with suitable access, shape, dimensions, character, location, topography and/or improvements for said development as deemed necessary by and acceptable to the Board. All open space areas shall be shown on the Site Plan and/or Final Subdivision Plan and shall be appropriately identified to indicate that they are not intended for use as building sites.

5.7.4.7 Means of Open Space Reservations: Such open space reservations shall be permanently reserved as open space by one or more of the following means; provided that the proposed means are acceptable to and approved by the Board:

- (1) Deeded to the City of Milford or deeded to the Milford Land Conservation Trust, Inc. or similar non-profit organization acceptable to the Planning and Zoning Board. Where open space areas are intended to be conveyed to the City or said non-profit organization, the applicant shall convey them at the stage and in the condition agreed upon in connection with processing and approval of the development. Title to the land shall be unencumbered. The City or said non-profit organization shall take title to such land at a time approved by the Board. Acceptance of an open space area, when conveyed by the applicant, shall be endorsed upon the deed by the Chairman of the Planning and Zoning Board or the President of said non-profit organization and shall be duly recorded with the deed stating that such land is reserved for use as open space in perpetuity.

(2) Held in corporate ownership by owners of the lots, dwelling units or lots within the development. Where open space areas are intended to be held in corporate ownership, the applicant shall file with the Board the intended means by which title will be transferred. Membership in said corporation shall be mandatory for all lot owners in said development. Each deed conveyance to unit or lot owners in said development shall include the membership stipulation, the beneficial right in use of the open land, and all other restrictions pertaining thereto. The applicant shall record such deeds with all necessary legal documents in the City land records.

(3) A combination of the above means:

- 5.7.4.8 Landscaping: The Board shall require adequate landscaping of the development site or lot with suitable vegetation in order to provide auxiliary screening for the proposed uses, aid in air purification and sound absorption and to generally promote an aesthetic development.
- 5.7.4.9 Screening: The Board may require appropriate fencing and/or landscaping of suitable type, density and height in order to effectively screen the proposed uses from adjacent properties and streets.
- 5.7.4.10 Street Access: No Cluster Development shall be approved by the Board unless the subdivision or development site has suitable access to a street which is adequate to accommodate the potential traffic generation from such development.
- 5.7.4.11 Utilities: No Cluster Development shall be approved by the Board unless each dwelling unit or lot in said development is: (a) served by an adequate public sanitary sewerage system, a community subsurface sewage disposal system or private, individual sewage disposal facilities and approved by the Health Administrator; and (b) supplied with water from an adequate public water supply, community subsurface water supply or private, individual wells and approved by the Health Administrator.
- (1) Where a utility is lacking, the Board may increase the required lot size. However, public water and sanitary sewer systems shall be required for any cluster development with building lot sizes of less than 12,500 square feet or equivalent area per dwelling in the case of co-op or condominium developments.
- 5.7.4.12 Improvement Standards: Plans and specifications for the construction and/or improvements of all streets, parking areas, curbs and gutters, sidewalks, storm drainage facilities, sanitary sewage facilities, water supply facilities, electric and telephone facilities, and other improvement shall comply with all applicable City and State laws, codes, ordinances, and regulations and shall be submitted to the Board for approval.

(1) Utility lines within the development site shall be placed underground in order to promote an aesthetic development.

(2) Notwithstanding any other City ordinances or regulations, the Board may permit private streets with a pavement width of not less than 24 feet for two-way traffic and 14 feet for one-way traffic.

5.7.4.13 Ownership and Maintenance: All private streets, parking areas, sidewalks, utilities, recreation facilities, open space areas and other private improvements, facilities and areas shall be owned, maintained and operated by the applicant, owner, association or corporation without expense to the City. The development site shall, at all times, be maintained in a safe, sanitary and presentable condition.

5.7.5 Effect of Approval: An approved Cluster Development shall be deemed to conform to the provisions of the Zoning District in which it is located so long as all applicable regulations and conditions of approval are met.



SECTION 5.8 PLANNED RESIDENTIAL DEVELOPMENT (effective 6/30/88)

5.8.1 Purpose: The purpose of this Section is: (1) to promote the most appropriate use of the land at a population density compatible with the applicable Zoning District; (2) to provide flexibility in the design of the development by permitting a variety of single family detached dwellings; (3) to facilitate the adequate design and economical provision of streets, utilities and other site improvements; and (4) to preserve the natural resources of the City through the maximum protection of woodlands, waterbodies, watercourses, steep slopes, scenic vistas, conservation areas, recreation areas, and similar natural features, characteristics and open spaces.

5.8.2 Definition: A Planned Residential Development, hereafter referred to as PRD, shall constitute a development site under one ownership or control containing single family detached dwelling units, which shall be owned and operated under a cooperative or condominium arrangement.

5.8.3 General Procedures: Planned Residential Developments, comprising of single family detached dwellings, may be permitted by the Planning and Zoning Board in R-AA R-30, R-18, R-12.5 and R-10 Residential Districts; subject to Special Permit and Site Plan Approval, in accordance with ARTICLE VII, herein, and the procedures, requirements, and limitations set forth hereinafter.

5.8.3.1 Application: The applicant shall submit an application accompanied by legal documentation, satisfactory to the City Attorney, assuring ownership, maintenance and operation of streets, parking areas, sidewalks, utilities, recreation facilities, open space areas and other improvements, facilities and areas proposed for the PRD.

5.8.3.2 Site Plan: The applicant shall submit a Site Plan prepared by a Landscape Architect and/or Site Planner and by a Professional Engineer and/or Architect registered in the State of Connecticut. Such plan shall take into account and illustrate the natural features and characteristics of the site, vistas between the site and adjacent properties and streets, and the buildings on and/or the uses of adjacent properties.

5.8.3.3 Review: The Board may approve a PRD provided it finds, to its satisfaction, that the open space and natural features of the site will be advantageously used and beneficially preserved and that such development will be in harmony with the purpose and intent of these Regulations.

5.8.3.4 Surety: Final approval of the proposed PRD shall be contingent upon the applicant posting satisfactory surety with the Board in order to assure satisfactory completion of and full compliance with all proposed improvements, not including buildings, shown on the approved Site Plan and other approved documents.

5.8.4 General Requirements: The Board may permit an applicant to develop a PRD subject to Special Permit and Site Plan Approval and the following limitations, conditions, and safeguards:

5.8.4.1 Minimum Development Site Area: The development site for any proposed PRD shall contain at least 10 acres of contiguous land with a minimum of 400 square feet of frontage on a municipally accepted or acceptable arterial, major collector or minor street.

5.8.4.2 Permitted Accessory Uses: Accessory facilities and uses including golf courses, tennis courts, swimming pools, recreation facilities and buildings, meeting halls, maintenance, storage and utility buildings shall be permitted when provided as an integral part of the overall development. No commercial sales of any type or a home business shall be allowed.

5.8.4.3 Maximum Number of Dwelling Units: The maximum number of dwelling units shall not exceed 1 dwelling unit per 12,500 square feet in R-AA and R-30 zone districts measured on a sliding scale of two acres of 30,000 square feet as required in the respective zone districts up to a density of 12,500 square feet provided the applicant complies to the satisfaction of the Board with building and site design criteria; and 1 dwelling unit per 10,000 square feet in R-18, R-12.5 and R-10 zoning districts measured on a sliding scale of 18,000 square feet, or 10,000 square feet as required in the respective zone district up to a density of 10,000 square feet provided the applicant complies to the satisfaction of the Board in building and site design criteria.

5.8.4.4 Minimum Floor Area: The minimum required floor area contained within each dwelling shall not be less than 625 square feet within the ground floor area and a minimum required total floor area shall not be less than 900 square feet.

5.8.4.5 Building Design: Buildings shall be designed in such a manner as to be compatible with the development site and in harmony with the general character and appearance of the surrounding neighborhood. Buildings shall not adversely affect the general character and appearance of the surrounding neighborhood and shall conform to the following criteria:

- 1) Height shall be a maximum of 35 feet.
- 2) All roofs shall be pitched to be compatible with neighborhood architecture and acceptable to the Planning and Zoning Board.
- 3) All utilities and mechanical enclosures shall be architecturally coordinated with the residential structures.
- 4) Facade material shall be compatible and coordinated throughout the proposed development and with the surrounding neighborhood.

5.8.4.6 Building Heights and Setbacks: Notwithstanding any other applicable provisions of these Regulations, building heights and setbacks shall be regulated as follows:

- (1) One and two-story, excluding basements, buildings shall be permitted; provided that:
  - (a) The height of such buildings shall not exceed 35 feet.
  - (b) Such buildings shall be setback at least 50 feet from all municipal street and lot lines.
  - (c) Such buildings shall be so arranged that adequate light and air are provided to each dwelling unit and that the minimum distance between principal and/or accessory buildings shall not be less than one half the sum of the heights of the affected buildings.

5.8.4.7 Lot Coverage and Open Space Areas:

- (1) The total lot coverage by all buildings, structures, parking areas, and driveways shall not exceed 25 percent of the total acreage of the development site.
- (2) No less than 30% of the total acreage of the development site shall remain as open space, which shall be defined as areas of not less than two acres with a minimum average dimension of not less than 200 feet. Established wetlands are to be calculated at a percentage of 50%.
- (3) Suitable restrictive covenants guaranteeing compliance with the minimum open space requirements as set forth herein shall be included in all legal conveyances.

5.8.4.8 Off-Street Parking:

- (1) Ratio: Notwithstanding any other provisions of these Regulations, off-street parking spaces shall be provided at a ratio of not less than 2.0 spaces per dwelling unit. In addition, a suitable number of parking spaces shall be provided for any accessory use located on the development site.
- (2) All dwelling units shall have at least one parking space within an attached garage. No parking lots shall be permitted for residential use.
- (3) Location: Open, uncovered parking areas shall be located at least 100 feet from any street or lot line. All parking areas shall have a suitable location within a reasonable walking distance of any relation to dwelling units or facilities served.

- 5.8.4.9 Landscaping: The Board shall require adequate landscaping of the development site with suitable vegetation in order to provide auxiliary screening for the proposed uses, aid in air purification and sound absorption and to generally promote an aesthetic development.
- 5.8.4.10 Screening: The Board may require appropriate fencing and/or landscaping of suitable type, density and height in order to effectively screen the proposed uses from adjacent properties and streets.
- 5.8.4.11 Street Access: No PRD shall be approved by the Board unless the development site has suitable access to an arterial major collector or minor collector street which is adequate to accommodate the potential traffic generation from such development.
- 5.8.4.12 Utilities: No PRD shall be approved by the Board unless each dwelling unit in said development is:
- (1) Served by an adequate public sanitary sewerage system and community subsurface sewage disposal system or private, individual sewage disposal facilities and approved by both the City and State Departments of Health; and
  - (2) supplied with water from an adequate public water supply.
- 5.8.4.13 Improvement Standards: Plans and specifications for the construction and/or improvement of all streets, parking areas, curbs and gutters, sidewalks, storm drainage facilities, sanitary sewage facilities, water supply facilities, electric and telephone facilities, earth work including filling, fill removal, regrading, and other improvements shall comply with all applicable City and State laws, codes, ordinances, and regulations and shall be submitted to the Board for approval.
- (1) Utility lines within the development site shall be placed underground in order to promote an aesthetic development.
  - (2) Notwithstanding any other City ordinances or regulations, the Board may permit private, interior streets with a pavement width of not less than 24 feet for two-way traffic and 14 feet for one-way traffic.
  - (3) All site plans shall show all areas and/or locations of utilities and services as described in Section 7.1.2.17 adequately screened within a structure or with landscape plantings.

5.8.4.14 Ownership and Maintenance: All private streets, parking areas, sidewalks, utilities, recreation facilities, open space areas and other private improvements, facilities and areas shall be owned, maintained and operated by the applicant, owner, association or corporation without expense to the City. The development site shall, at all times, be maintained in a safe, sanitary and presentable condition.

5.8.5 Effect of Approval: An approved Planned Residential Development shall be deemed to conform to the provisions of the Zoning District in which it is located, so long as applicable regulations and conditions of approval are met.

## SECTION 5.9 PERFORMANCE STANDARD REGULATIONS

5.9.1 No building or use shall create any dangerous, injurious, noxious or otherwise detrimental condition so as to adversely affect the public health, safety or welfare of the neighborhood or community.

5.9.2 Zoning Districts: Performance Standards shall apply to all lands, buildings, structures, and uses in any Zoning District, whether a permitted use, a special use, an accessory use, a use allowed by variance, or a non-conforming use.

5.9.3 Procedure: The Planning and Zoning Board or Zoning Enforcement Officer may require, as a part of any application for a Special Permit or Zoning Permit that the applicant submit a written description of any proposed machinery, operations and products, and specifications for the mechanisms and techniques to be used in restricting the emission of any dangerous and objectionable elements.

5.9.4 Compliance: Initial and continued compliance with these Performance Standards shall be required of every building, structure and use.

5.9.5 Enforcement: Measurements to determine present compliance and estimates to determine future compliance may be made by and at the discretion of the Zoning Enforcement Officer, Fire Marshal, Air Pollution Control Officer, Health Administrator, or any other public or private agency, firm, or person competent to make such measurements or estimates. The Zoning Enforcement Officer may, at his discretion, require the owner or user of property to furnish current measurements or estimates within a reasonable time in appropriate cases.

5.9.6 Standards for Dangerous or Objectionable Elements: In addition to the performance standards set forth hereinafter, all relevant provisions of any other Federal, State and City laws, and regulations shall also apply.

5.9.6.1 Smoke, Fly Ash and Other Dusts, Gases, Fumes, Odors, and Dust-Producing Substances: No person shall cause or allow any smoke, fly ash and other dusts, gases, fumes, odors, and dust-producing substances to be discharged or emitted into the open air, except in accordance with the "Air Pollution Control Ordinance" of the City of Milford, Connecticut, as amended.

5.9.6.2 Fire and Explosion Hazards: All activities involving, and all storage of, inflammable and explosive materials shall be protected at any point, with adequate safety devices protecting against the hazard of fire and explosion and with adequate firefighting and fire suppression equipment and devices as prescribed by the Fire Marshal.

5.9.6.3 Noise: The maximum sound pressure level radiated at the lot or street line by any use or facility subject to these regulations shall not exceed the values tolerable in a specifically affected neighborhood, unless such levels are specifically authorized as an integral part of a Special Permit and Site Plan Approval.

5.9.6.4 Direct and Indirect Glare: Any source of illumination shall employ only sources emitting a light of constant intensity and shall be designed, located, erected, and maintained in such manner that objectionable glare is not emitted to nearby properties or streets.

5.9.7 Notwithstanding any of the foregoing standards, State and Federal standards, controls and regulations shall apply where any such standards, controls or regulations have more stringent requirements.

SECTION 5.10 COASTAL SITE PLAN REVIEW REQUIRED (effective 5/4/84)

5.10.1 All buildings, uses, and structures fully or partially within the coastal boundary as defined by Section 22a-94 of the Connecticut General Statutes and as delineated on the Coastal Boundary Map for the City of Milford shall be subject to the Coastal Site Plan Review requirements and procedures in Sections 22a-105 through 22a-109 of the Connecticut General Statutes.

5.10.2 Coastal Site Plan Review Exemptions:

- (1) Pursuant to Section 22a-109(b) of the Connecticut General Statutes, the following activities are exempt from Coastal Site Plan Review requirements:
  - (a) Gardening, grazing and the harvesting of crops.
  - (b) Minor additions to or modification of existing buildings or detached accessory buildings, such as garages and utility sheds.
  - (c) Construction of new or modification of existing structures incidental to the enjoyment and maintenance of residential property including but not limited to walks, terraces, driveways, swimming pools, tennis courts, docks and detached accessory buildings.
  - (d) Construction of new or modification of existing on-premise structures including fences, walls, pedestrian walks and terraces, underground utility connections, essential electric, gas, telephone, water and sewer service lines, signs, and such other minor structures as will not substantially alter the natural character of coastal resources as defined by Section 22a-93(7) of the Connecticut General Statutes or restrict access along the public beach.
  - (e) Construction of an individual single family residential structure except when such structure is located on an island not connected to the mainland by an existing road, bridge, or causeway or except when such structure is in or within one hundred feet of the following coastal resource areas as defined by Section 22a-93(7) of the Connecticut General Statutes; tidal wetlands, coastal bluffs and escarpments, beaches and dunes.
  - (f) Activities conducted for the specific purpose of conserving or preserving soil, vegetation, water, fish, shellfish, wildlife and other coastal land and water resources.
  - (g) Interior modification to buildings.
  - (h) Minor changes in use of building, structure or property except those changes occurring on property adjacent to or abutting coastal waters.



- (2) The foregoing exemptions from Coastal Site Plan Review requirements shall apply to the following site plans, plans and applications:
- (a) Site plans submitted to the Planning and Zoning Board in accordance with Section 2a-109 of the Connecticut General Statutes.
  - (b) Applications for a Special Permit submitted to the Planning and Zoning Commission in accordance with Section 8-2 of the Connecticut General Statutes and Section 7.2 of these regulations.
  - (c) Applications for a variance submitted to the Zoning Board of Appeals in accordance with subdivision (3) of Section 8-6 of the Connecticut General Statutes and Section 9.2 of these regulations.
  - (d) A referral of proposed municipal project to the Planning and Zoning Commission in accordance with Section 8-24 of the Connecticut General Statutes.

5.10.3 Application Requirements: Except as exempted in Section (b) above, all applications for Zoning Permits, Special Permits (or Special Exceptions), Variances, Subdivisions or Resubdivisions, municipal projects, or planned unit developments within the coastal boundary, shall file with the appropriate board or commission a Coastal Site Plan and application on such form as prescribed by the Board or Commission. Pursuant to Section 22a-105 and 22-106 of the Connecticut General Statutes, a Coastal Site Plan shall include the following information; a plan showing the location and spatial relationship of coastal resources on and contiguous to the site; a description of the entire project with appropriate plans, indicating project locations, design, timing, and methods of construction; an assessment of the capability of the resources to accommodate the proposed use, an assessment of the suitability of the project for the proposed site; an evaluation of the potential beneficial and adverse effects on coastal resources. In addition, the applicant shall demonstrate that the adverse impacts of the proposed activity are acceptable and that such activity is consistent with the coastal policies of Section 33a-92 of the Connecticut General Statutes.

5.10.4 Commission Action:

- (1) In addition to reviewing Coastal Site Plans for compliance with any other applicable standards, requirements, or criteria set forth by these regulations, the Board or Commission with jurisdiction shall review coastal site plans for compliance with the following criteria established in Section 22a-106 of the Connecticut General Statutes:
- (a) Consistency of the proposed activity with the applicable coastal policies in Section 22a-92 of the Connecticut General Statutes.

- (b) The acceptability of potential adverse impacts of the proposed activity on coastal resources as defined in Section 22a-93(15) of the Connecticut General Statutes.
  - (c) The acceptability of potential adverse impacts of the proposed activity on future water dependent development opportunities as defined in Section 22a-93(17) of the Connecticut General Statutes.
  - (d) The adequacy of any measures taken to mitigate the adverse impacts of the proposed activity on coastal resources and future water dependent development opportunities.
- (2) The Board or commission with jurisdiction shall approve, modify, condition, or deny the Coastal Site Plan for the proposed activity on the basis of the criteria listed in Section 22a-105 of the Connecticut General Statutes to ensure that the proposed activity is consistent with the coastal policies in Section 22a-92 of the Connecticut General Statutes and that the potential adverse impacts of the proposed activity on both coastal resources and future water dependent development opportunities are acceptable.
- (3) Pursuant to Section 22a-106 of the Connecticut General Statutes, the Board or Commission with jurisdiction shall state in writing the findings, and reasons for its action with respect to any Coastal Site Plan approved, conditioned, modified or denied. Further, in approving any coastal site plan, the Board or Commission with jurisdiction shall make a written finding that:
- (1) The proposed activity with any conditions or modifications imposed by the Board or Commission is consistent with the coastal policies in Section 22a-92 of the Connecticut General Statutes.
  - (2) That the proposed activity incorporates as conditions or modifications all reasonable measures which would mitigate potential adverse impacts on both coastal resources and future water dependent development activities.
  - (3) That the potential adverse impacts of the proposed activity on coastal resources and future water dependent development opportunities with any conditions or modifications imposed by the commission are acceptable.

(4) In accordance with Sections 22a-105 through 22a-109 of the Coastal Management Act, hearing notification requirements, time limits for making a decision and decision publication and notification requirements for Coastal Site Plans shall be as set forth in the Connecticut General Statutes for the type of permit or approval being requested.

5.10.5 Violations: In accordance with Section 22a-108 of the Connecticut General Statutes, any activity undertaken within the coastal boundary without the required Coastal Site Plan review and approval shall be considered a public nuisance and shall be subject to enforcement remedies authorized in that section or Section 8.13.1 of these regulations.

SECTION 5.11 ACTIVITIES REQUIRING A CERTIFIED EROSION AND SEDIMENT CONTROL PLAN (effective 9/17/85)

A soil erosion and sediment control plan shall be submitted with any application for development when the disturbed area of such development is cumulatively more than one-half acre.

5.11.1 Exemptions: A single family dwelling that is not a part of a subdivision of land shall be exempt from these soil erosion and sediment control regulations.

5.11.2 Erosion and Sediment Control Plan:

- (1) To be eligible for certification, a soil erosion and sediment control plan shall contain proper provisions to adequately control accelerated erosion and sedimentation and reduce the danger from storm water runoff on the proposed site based on the best available technology. Such principles, methods and practices necessary for certification are found in the Connecticut Guidelines for Soil Erosion and Sediment Control (1985) as amended. Alternative principles, methods and practices may be used with prior approval of the Board.
- (2) Said plan shall contain, but not be limited to:
  - (A) A narrative describing:
    - (1) The development;
    - (2) The schedule for grading and construction activities including:
      - (a) Start and completion dates;
      - (b) Sequence of grading and construction activities;
      - (c) Sequence for installation and/or application of soil erosion and sediment control measures;
      - (d) Sequence for final stabilization of the project site.
    - (3) The design criteria for proposed soil erosion and sediment control measures and storm water management facilities.
    - (4) The construction details for proposed soil erosion and sediment control measures and storm water management facilities.
    - (5) The installation and/or application procedures for proposed soil erosion and sediment control measures and storm water management facilities.

- (6) The operations and maintenance program for proposed soil erosion and sediment control measures and storm management facilities.
- (B) A site plan map at a sufficient scale to show:
- (1) The location of the proposed development and adjacent properties;
  - (2) The existing and proposed topography including soil types, wetlands, watercourses and water bodies;
  - (3) The existing structures on the project site, if any;
  - (4) The proposed area alterations including cleared, excavated, filled or graded areas and proposed structures, utilities, roads and, if applicable, new property lines;
  - (5) The location of and design details for all proposed soil erosion and sediment control measures and storm water management facilities;
  - (6) The sequence of grading and construction activities;
  - (7) The sequence for installation and/or application of soil erosion and sediment control measures;
  - (8) The sequence for final stabilization of the development site.
- (C) Any other information deemed necessary and appropriate by the applicant or requested by the Board or its designated agent.

### 5.11.3 Minimum Acceptable Standards:

- (1) Plans for soil erosion and sediment control shall be developed in accordance with these regulations using the principles as outlined in Chapters 3 and 4 of the Connecticut Guidelines for Soil Erosion and Sediment Control (1985), as amended. Soil erosion and sediment control plans shall result in a development that minimizes erosion and sedimentation during construction; is stabilized and protected from erosion when completed; and does not cause off-site erosion and/or sedimentation.

- (2) The minimum standards for individual measures are those in the Connecticut Guidelines for Soil Erosion and Sediment Control (1985), as amended. The Board (or County Soil and Water Conservation District) may grant exceptions when requested by the applicant if technically sound reasons are presented.
- (3) The appropriate method from Chapter 9 of the Connecticut Guidelines for Soil Erosion and Sediment Control (1985), as amended, shall be used in determining peak flow rates and volumes of run off unless an alternative method is approved by the Board.

5.11.4 Issuance or Denial or Certification:

- (1) The Planning and Zoning Board (or the New Haven County Soil and Water Conservation District) shall either certify that the soil erosion and sediment control plan, as filed, complies with the requirements and objectives of this regulation or deny certification when the development proposal does not comply with these regulations.
- (2) Nothing in these regulations shall be construed as extending the time limits for the approval of any application under Chapters 124, 124A or 126 of the General Statutes.
- (3) Prior to certification, any plan submitted to the municipality may be reviewed by the County Soil and Water Conservation District which may make recommendations concerning such plan, provided such review shall be completed within thirty days of the receipt of such plan.
- (4) The Board may forward a copy of the development proposal to other review agencies or consultants for review and comment.

5.11.5 Conditions Relating to Soil Erosion and Sediment Control:

- (1) The estimated costs of measures required to control soil erosion and sedimentation, as specified in the certified plan, that are a condition of certification of any modified site plan may be required to be covered in a performance bond or other assurance acceptable to the Board in accordance with the provisions specified under Section 7.1.1.4 of the regulations.
- (2) Site development shall not begin unless the soil erosion and control plan is certified and those control measures and facilities in the plan scheduled for installation prior to site development are installed and functional.
- (3) Planned soil erosion and sediment control measures and sediment control measures and facilities shall be installed as scheduled according to the certified plan.

- (4) All control measures and facilities shall be maintained in effective condition to ensure the compliance of the certified plan.

5.11.6 Inspection:

- (1) Inspections shall be made by the Board or its designated agent during development to ensure compliance with the certified plan and that control measures and facilities are properly performed or installed and maintained. The Board may require the permittee to verify through progress reports that soil erosion and sediment control measures and facilities have been performed or installed according to the certified plan and are being operated and maintained.

ARTICLE VI - NON-CONFORMING USES, STRUCTURES AND LOTS

SECTION 6.1 DECLARATION

6.1.1 Definition: A non-conforming use, structure or lot is one which existed lawfully on the effective date of these Regulations or any amendment thereto, and which fails to conform to one or more of the applicable provisions or requirements of these Regulations or such amendment thereto.

6.1.2 Continuance: Notwithstanding any other provision of these Regulations, a non-conforming use, structure or lot, as defined herein, may be continued, except as otherwise specified in this ARTICLE.

6.1.3 Ownership: Nothing in these Regulations shall be deemed to require discontinuance of a non-conformity because of mere change of title or possession or right of possession of property, except as otherwise provided in Section 6.4.1, herein.

6.1.4 Certificate of Zoning Compliance: No non-conforming use, structure or lot shall be constructed, reconstructed, enlarged, extended, altered, moved, changed, maintained, restored or replaced unless a Certificate of Zoning Compliance has been issued by the Zoning Enforcement Officer stating that such use, structure or lot is an existing legal non-conforming use, structure or lot and/or that such construction, reconstruction, enlargement, extension, alteration, movement, change, maintenance, restoration or replacement is in compliance with the applicable provisions of these Regulations.



## SECTION 6.2 NON-CONFORMING USES

6.2.1 Enlargement, Extension or Alteration: No non-conforming use of land shall be enlarged, extended, or altered, and no structure or part thereof devoted to a non-conforming use shall be enlarged, extended, constructed, reconstructed, or structurally altered, except in changing the use to one which is allowable in the Zoning District in which such use is located; except in the case of single family homes. No non-conforming use of a structure shall be extended to occupy land outside such structure or space in another structure.

6.2.2 Movement: No non-conforming use of land shall be moved to another part of a lot or outside the lot, and no non-conforming use of a structure shall be moved to any part of the structure not manifestly arranged and designed for such use at the time the use became non-conforming. No structure containing a non-conforming use shall be moved, unless the result of any such moving is to end the non-conforming use.

6.2.3 Change: No non-conforming use of land or of a structure shall be changed to any use which is substantially different in nature and purpose from the former non-conforming use, except such uses as are allowable in the Zoning District in which they are located: unless a Special Permit is granted by the Planning and Zoning Board under ARTICLE VII, herein, after a public hearing and upon written finding, among other things, that the new use will have a lesser impact upon the surrounding area than the old one.

6.2.4 Variance: Notwithstanding Sections 6.2.1, 6.2.2 and 6.2.3, a Variance shall be granted in accordance with ARTICLE IX, SECTION 9.2.2 Variances to extend, enlarge, or alter any legal non-conforming lot, structure or use.

6.2.5 Maintenance: Nothing in these Regulations shall be deemed to prohibit:

- (1) Work in any period of 12 consecutive months or ordinary repairs and replacement of existing materials with similar material placed in similar manner, to an extent not exceeding 50 percent of the physical structure, excluding the foundation, as determined by the Zoning Enforcement Officer and/or the Building Inspector of the City of Milford; or,
- (2) Any work required by the codes and ordinances of the City or ordered by any City official charged with protecting the public health, safety or welfare, if such work does not enlarge or extend a non-conforming use or otherwise increase any non-conformity, in order to assure that structures will be maintained in a safe and sanitary condition.

6.2.6 Restoration: If any structure shall be destroyed by any means to an extent of more than 50 percent of the physical structure, excluding the foundation, as determined by the Zoning Enforcement Officer and/or the Building Inspector of the City of Milford, no repairs or reconstruction shall be made unless every portion of such structure and the use thereof is made to conform to all the regulations of the District, except as stated in Section 6.3.3. Nothing in these Regulations shall be deemed to prohibit the restoration of any structure and its use where such structure deemed to prohibit the restoration of any structure and its use where such structure has been destroyed by any means out of the control of the owner to an extent of 50 percent or less of the physical structure, provided that the restoration of such structure and its use shall in no way increase any former non-conformity, and further provided that the restoration of such structure is started within one year of such destruction and is diligently prosecuted to completion within two years following such destruction. In the case of single family homes, substitute 80% for 50%.

6.2.7 Abandonment: Any non-conforming use which has been abandoned shall not thereafter be re-established. Any structure or land, or structure and land in combination which was formerly devoted to a non-conforming use which has been abandoned, shall not again be devoted to any use other than those uses which are allowable in the Zoning District in which it is located.

6.2.7.1 The term abandonment, as used herein, shall mean the voluntary discontinuance of a use, when accompanied by an intent not to re-establish such use. Any one of the following shall constitute prima facie evidence of intent to abandon:

- (1) Any failure to take all necessary steps to resume the non-conforming use with reasonable dispatch in the circumstances, including advertising of the property for sale or for lease; or
- (2) In the case of a non-conforming use of a structure or of a structure and land in combination, discontinuance of the non-conforming use for 6 consecutive months, or for a total of 18 months during any three year period; or
- (3) In the case of land only, discontinuance of the non-conforming use for 30 consecutive days, or for a total of 3 months during a one-year period.

6.2.7.2 The provisions of Sections 6.2.6.1(2) and (3), above, shall apply to customary seasonal uses in the same proportional time frame, or fraction thereof.

6.2.8 Special Permits: Any Use allowed by Special Permit within an applicable Zoning District and approved by the Planning and Zoning Board as a Special Permit or Special Exception Use shall be deemed to be a conforming use in the applicable Zoning District. The Expansion or substantial alteration of such Special Permit shall be governed by ARTICLE VII of these Regulations.

## SECTION 6.3 NON-CONFORMING STRUCTURES

6.3.1 Use: A non-conforming structure may be used for any use allowed in the Zoning District in which such structure is located: provided that any requirements for the new use of such structure, such as off-street parking and loading spaces, shall not increase the existing non-conformity of such structure.

6.3.2 Enlargement, Extension or Alteration: Structures failing to meet any requirement of these Regulations other than use, including lack of required parking or loading spaces, shall not be enlarged, extended, or altered, if the result would be an increase in non-conformity.

6.3.2.1 Required parking and loading spaces for any enlargement or extension of such structure shall be provided as a condition for the issuance of any Certificate of Zoning Compliance for such enlarged or extended portion of such structure.

6.3.3 Replacement: Any existing structure which does not have sufficient off-street parking or loading spaces to comply with these Regulations may be replaced by a new structure provided that the replacement structure shall contain no more floor area than the existing structure, and further provided that the amount of existing off-street parking and loading space and lot area available for off-street parking or loading is not reduced, nor the requirements therefore increased by a new use.

6.3.4 Signs: Signs of a size or type not allowed in the Zoning District in which they are located or which are improperly located or illuminated, or non-conforming in any other way, shall be considered non-conforming structures under this Section: and any increase in size or intensity of illumination of such signs shall be deemed to be an enlargement or extension producing an increase in non-conformity.

6.3.5 Movement: No non-conforming structure shall be moved or relocated unless the result of such moving or relocation is to reduce or eliminate its non-conformity.

SECTION 6.4 NON-CONFORMING LOTS (effective 2/1/89)

6.4.1 Use of Non-Conforming Lots Where Applicant or Predecessors Never Owned Any Adjacent Land: A zoning permit may be issued for an allowable use on a lot which does not meet the standards for lot area and/or width of the particular zone in which said lot is located if:

- (1) The present owner or his predecessors in title did not illegally create this non-conforming lot and that the lot was of legal size when it was created as a lot.
- (2) The present owner or his predecessors in title, as determined by an attorney, did not or does not own any land adjacent to such lot since the lot was caused to become non-conforming by virtue of revised zoning regulations.
- (3) All yard, setback, coverage and other zone requirements can be met, and further provided the owner or his agent presents satisfactory evidence of compliance with this section.
- (4) The lot was never sold by the City of Milford with any stipulation that would prohibit its use as a separate building lot.
- (5) Upon issuance of a zoning permit under the provision of this section, the applicant shall erect a 4 ft. x 4 ft. panel sign with a poster furnished by the City of Milford stating the following: On       (Date)       the Zoning Officer has issued a permit to allow a       Type of Structure       to be constructed on this lot under the provisions of Section 6.4.1 of the Milford Zoning Regulations.

The applicant shall be required to affix the poster, supplied by the City, to his own 4 ft x 4 ft. panel within 5 days of the date zoning approval was received. The applicant shall generally locate the panel within the center of the lot but not more than 5 ft. from an accepted street line except in cases involving unaccepted City streets.

In cases involving non-conforming lots involving unaccepted City streets, the location of the panel shall be determined at the discretion of the Zoning Enforcement Officer.

The panel with poster shall remain on the property for an unbroken period of 15 days. At the end of 15 days, the applicant shall submit the following notarized statement to the Zoning Enforcement Officer.

I       (Applicant)       duly swear to the Zoning Enforcement Officer of the City of Milford that the property at       (Address)       has been posted for a period of 15 days from       (Date)       to       (Date)       in accordance with the notice requirements of Section 6.4.1 (5) of the Milford Zoning Regulations.

Any applicant who receives a permit under this Section 6.4.1 shall refrain from commencing any construction, including site work, until the proper notarized statement has been received by the Zoning Enforcement Officer.

6.4.2 Use of Non-Conforming Lots when Applicants or Predecessor

Own/Owned Adjacent Land: A zoning permit may be issued subject to a Variance granted by the Zoning Board of Appeals for an allowable use on a lot which does not meet the standards for lot area and/or width of the particular zone in which said lot is located if:

- (1) The present owner or his predecessors in title did not illegally create this non-conforming lot and that the lot was of legal size when it was created as a lot.
- (2) The present owner or his predecessors in title, as determined by an attorney, do now or have owned adjacent land since the time the lot was caused to become non-conforming by virtue of a revised zoning regulations.
- (3) Since the time the lot was caused to become non-conforming by virtue of a revised zoning regulation, the lot has never been utilized in conjunction with adjacent property so that the identity of the lot in question has not merged with adjacent property.
- (4) All yard setback, coverage and other zone requirements can be met; and further provided the owner or his agent presents satisfactory evidence of compliance with this Section.
- (5) The lot was never sold by the City of Milford with any stipulation that would prohibit its use as a separate building lot.
- (6) Notice: Upon application for a zoning permit under this Section 6.4.2, a Variance application shall be made to the Zoning Board of Appeals in accordance with the requirements of Section 9.2.2 Variances. (effective 2/1/89)

ARTICLE VII - PLANNING AND ZONING BOARD

SECTION 7.1 Site Plan Approval In all cases where these Regulations require Site Plan Approval, no permit shall be issued by the Zoning Enforcement Officer except in conformity with the site plan approved by the Planning and Zoning Board.

7.1.1 Site Plan Procedures

- 7.1.1.1 Application Each application for Site Plan Approval shall be submitted to the Zoning Enforcement Officer on a form prescribed by the Board, and shall be accompanied by 10 copies of a site plan, 8 if a Health Department report is not required. The applicant shall leave all required plans at the Planning and Zoning Office for internal distribution to applicable City Departments with the applicable fee. The Zoning Enforcement Officer shall, within a reasonable time, certify on each application, or amendment, whether or not the proposed buildings, structures or uses are in conformance with all applicable provisions of these Regulations, other than those requirements in this Section regarding Site Plan Review. (Effective 5/20/89)
- 7.1.1.2 Acceptance by Board The Board shall accept certified applications at the next regular meeting after certification provided the information provided by the applicant under Section 7.1.2 is complete to its satisfaction. In the event any application is not accepted, the applicant shall be notified in writing within 10 days.
- 7.1.1.3 Board Action In reviewing the application, the Board shall consider the objectives and standards as set forth in Section 7.1.3 herein. The Board shall approve, modify and approve or disapprove the site plan within 65 days of the date of acceptance of said application, unless an extension of time is granted by the applicant. Failure to act within such time period shall be deemed approval. Any disapproval shall include written findings on any site plan element found contrary to either the provisions or intent of these Regulations.
- 7.1.1.4 Surety The Board may require the applicant, as a condition of site plan approval, to post satisfactory surety in order to assure completion of proposed improvements not including buildings and compliance with the approved site plan and other documents.
- 7.1.1.5 Issuance of Zoning Permit Upon certification of an approved site plan by the Board, the applicant shall comply with all applicable provisions of ARTICLE VIII, herein, for the issuance of a zoning permit by the Zoning Enforcement Officer.

7.1.1.6 Expiration: Any approved site plan for which construction has not commenced or which is not otherwise put into effect within a period of one year of the effective date of approval shall become null and void, unless an extension of time is applied for by the applicant and granted by the Board.

7.1.1.7 Amendments: Applications for Site Plan amendments of a material nature shall be made to the Zoning Enforcement Officer in the same manner as the original application.

7.1.2 Site Plan Elements: Applications submitted shall include a description of all proposed uses including all intended operations, equipment and material; and shall be accompanied by a Site Plan, based on a current certified plot plan prepared by a licensed land surveyor, drawn to scale of not less than one inch equals 100 feet in size, not to exceed 24" x 36" and showing the proposal and all buildings on adjacent lots within 100 feet of the lot lines of the subject lot. In addition to the Site Plan, the application shall also be accompanied by floor and elevation plans for alterations of all existing structures and for proposed structures. All elevations must show location detail of street number to be utilized by the building. Such numbers shall not be located on any door nor shall any number be less than 4 inches tall.\* Signs, specifications for building construction and materials proposed for flood-proofing, where applicable; and any such other plans as may be required to fully present the proposal, including the following information where applicable (\*effective 8/24/83).

7.1.2.1 The name and address of owner or owners of land to be developed, the name and address of the applicant, if other than the owner and the name, original signature\* and seal, originally stamped or embossed on each sheet\* of the licensed land surveyor, professional engineer or professional architect, registered in the State of Connecticut, as may be applicable. (\*effective 9/24/83).

7.1.2.2 The date, true north point and graphic written scales.

7.1.2.3 A key map of approximately one inch to 400 or 800 feet, showing the existing Zoning Districts and street pattern within 500 feet of the site. The north arrow orientation of the key map shall match the north arrow orientation of the site plan.\* (\*effective 9/21/85)

7.1.2.4 The locations and names of owners of record of all abutting property and developments.

7.1.2.5 The purpose, locations, dimensions and areas of all existing and proposed rights-of-way, easements, reservations and open space areas dedicated to or offered for public use or otherwise set aside, both within and adjoining the site.

- 7.1.2.6 A complete outline of existing and proposed deed restrictions or covenants applying to the premises.
- 7.1.2.7 Existing and proposed elevations based on actual surveys and referenced to USGS datum shall be shown:
- (1) At each lot corner;
  - (2) Along each lot line at intervening intervals, if such line is 100 feet or more in length, at each five foot change in elevation; and
  - (3) At the approximate location of each foundation corner of all proposed or anticipated principal building or structure.

Additional elevations and/or elevations at lesser intervals may be required as deemed necessary or appropriate by the Board.

- 7.1.2.8 The location of existing and proposed waterbodies, watercourse, swamps, marshes and wetlands, with the direction of flow and water surface levels, as well as other significant physical features such as wooded areas and rock outcrops.
- 7.1.2.9 The location of the regulatory flood protection elevation, established wetland boundaries and boundaries of other flood-prone area, including the seasonal high water level, apparent high water mark and mean high water mark as appropriate.
- 7.1.2.10 Location and design of all existing and proposed flood protection and erosion control works.
- 7.1.2.11 Location, design, height and setback lines of all existing and proposed buildings and structures, including but not limited to signs, fences and walls.
- 7.1.2.12 Location, design and setback lines of all existing and proposed uses not within a building or structure.
- 7.1.2.13 Location and design of all existing and proposed paved areas, sidewalks, streets, curbs, driveways and parking and loading areas (showing the number of stalls provided therewith), with grades, elevations and cross sections, as appropriate.
- 7.1.2.14 Location and design of all existing and proposed storm drainage, sanitary sewage, and water supply facilities and easements, as well as other underground and above ground utilities, with grades, pipe sizes, elevations, points of discharge and hydrants as appropriate.



- 7.1.2.15 Location and design of all required buffer strips, landscaping and screening, final site landscaping and/or grading plans.
- 7.1.2.16 Location, design and height of external lights and lighted areas, as appropriate.
- 7.1.2.17 All site plans must show all areas and/or location of the following:
- (1) Outside storage areas or structures.
  - (2) Utility transformers.
  - (3) Utility meters (free standing or attached to a structure), i.e. electrical, gas, water.
  - (4) Telephone/cable television equipment.
  - (5) Fuel oil storage facilities.
  - (6) Refuse/trash containers of any type.
  - (7) Postal facilities.
  - (8) Exterior mechanical equipment such as, but not limited to HVAC items. If any or all of the services are not to be provided or are included in a prior approval, a statement to that effect shall be included as a note on the site plan. (effective 7/5/86)
- 7.1.2.18 In the case of uses or facilities requiring approval by any other agency of the State or City, the approval or status of approval of said agency shall be submitted with the application.
- 7.1.2.19 Where the applicant wishes to develop in stages, an overall site and staging plan indicating ultimate development shall be presented for approval.
- 7.1.2.20 The Board may, when deemed necessary, require the applicant to submit appropriate environmental impact studies.
- 7.1.2.21 Any other information deemed necessary by the Board to determine conformity of the Site Plan with the intent and purpose of these regulations.

In general, except for very minor additions, all development proposals for site plan review will include individual sheets:

- (1) Title sheet with locus map.
- (2) Site Plan - building size, setbacks, zoning requirements required and proposed.
- (3) Landscaping-Lighting Plan-site signage may be included on this sheet.
- (4) Utility/Grading/Contour Plan including catch basins, curbs, paving details if necessary.

- (5) Sediment and erosion control plans if applicable.
- (6) For multiple building projects or multi-tenant facilities, mylar address map, may be provided after receiving site plan approval; must be provided before obtaining a zoning permit (effective 9/21/85).

7.1.3 Site Plan Review: In approving any Site Plan, the Planning and Zoning Board shall take into consideration the public health, safety and general welfare, the comfort and convenience of the public in general and of the immediate neighborhood in particular, and may attach reasonable conditions and safeguards as a precondition to its approval. The Board shall also consider the following general objectives and design criteria:

7.1.3.1 Zoning Districts: That the proposed use shall be of such location, size and character that, in general, it will be in harmony with the appropriate and orderly development of the Zoning District in which it is proposed to be situated and will not be detrimental to the orderly development of adjacent properties in accordance with the zoning classification of such properties.

7.1.3.2 Traffic Access: That proposed traffic access ways are: adequate but not excessive in number; adequate in width, grade, alignment and visibility; not located too near street corners and similar safety considerations.

7.1.3.3 Public Safety: That proposed buildings, structures, uses, equipment or material shall be readily accessible for fire and police protection.

7.1.3.4 Circulation and Parking: That adequate off-street parking and loading spaces are provided to prevent parking in public streets of vehicles of any persons connected with or visiting the use, and that the interior circulation system is adequate to provide safe accessibility to all required off-street parking.

7.1.3.5 Landscaping and Screening: That proposed buildings, structures, uses, recreation areas, and parking, loading and vehicular access areas are reasonably landscaped and/or screened with appropriate vegetation and/or fencing of suitable type, density and height adjacent to residential lots and streets, where appropriate; notwithstanding the procedural provisions of Section 4.1.7 herein.

7.1.3.6 Illumination: That lighting from the installation of outdoor lighting and illuminated signs will be properly shielded so that such lighting will not adversely affect any abutting property, street or navigable waterway.

- 7.1.3.7 Public Health: That utility systems will be suitably located, adequately designed, and properly installed to serve the proposed uses, to protect the property from adverse air, water or land pollution, and to preserve and enhance the environmental quality of the surrounding neighborhood and that of the City.
- 7.1.3.8 Character and Appearance: That the character and appearance of the proposed buildings, structures, uses and/or outdoor signs will not be detrimental to the character and appearance of the surrounding neighborhood and will not adversely affect the general welfare of the inhabitants of the City.
- 7.1.3.9 Surety: The Board may required surety in accordance with Section 7.1.1.4 herein (effective 12/19/81).
- 7.1.3.10 Zoning Permit: Upon approval of a Site Plan Review by the Board, the applicant shall comply with all applicable provisions of ARTICLE VIII, herein for the issuance of a Zoning Permit by the Zoning Enforcement Officer.
- 7.1.3.11 Expiration: Any authorized Site Plan Review for which construction has not commenced or which is not otherwise put into effect within a period of one year, shall become null and void, unless an extension of time is applied for by the applicant and granted by the Board (effective 12/19/81).
- 7.1.3.12 Revocation: An authorized Site Plan Review shall be subject to revocation by the Board if any conditions or safeguards imposed by the Board upon land, buildings, structures, or uses for said permits are not strictly adhered to by the applicant and/or owner. However, before the Board may revoke any Site Plan Review, the Board shall hold a public hearing thereon (effective 12/19/81).
- 7.1.3.14 Waivers: The Board may waive, subject to appropriate conditions such requirements of this Section 7.1 and standards as set forth in the regulations governing uses requiring Site Plan Review as in its judgement of the special circumstances and conditions relating to a particular application, are not requisite in the interest of the public health, safety and general welfare. When making its determination as to the extent of variation from the standards as set forth in these Regulations, the Board shall take into consideration the prospective character of the use, the interests of the City as a whole, and the purpose and intent of these Regulations (effective 12/19/81).

SECTION 7.2 SPECIAL PERMIT APPROVAL In all cases where these Regulations require Special Permit Approval, no permit shall be issued by the Zoning Enforcement Officer except upon approval of a Special Permit by the Planning and Zoning Board.

7.2.1 Application: Each application for a Special Permit shall be submitted in accordance with Sections 7.1.1 and 7.1.2 and the following:

- (1) Plans shall be approved or conditionally approved by the City Engineer, with regard to parking layout, ingress and egress; drainage facilities; grading or regrading; sanitary sewer connections; all conditions of approval and any other engineering consideration at the discretion of the City Engineer. Such approval or conditional approval shall be stamped on the site plans and accompanied by a report of his findings.
- (2) Plans shall be reviewed by the Police Department with regard to public safety and traffic conditions. Such review shall be set forth in a report detailing existing or anticipated traffic conditions and/or hazards on streets leading to the site, ingress and egress to the site; and any other public safety consideration.
- (3) Plans shall be approved or conditionally approved by the Health Administrator or Sewer Commission, whichever is applicable. Such approval shall be set forth in a report, and conditions, if any, shall be detailed therein.
- (4) Plans shall be approved or conditionally approved by the Air Pollution Control Officer where applicable. Such approval shall be set forth in a report, and conditions, if any, shall be detailed therein.
- (5) Plans shall be approved or conditionally approved by the Fire Marshal, and such approval shall be set forth in a report. Such report shall detail any conditions recommended by the Fire Marshal to the Planning & Zoning Board.

7.2.2 Public Hearing: The Board shall hold a public hearing on all applications for Special Permit within 65 days of the date of acceptance of application or within 130 days if consented to by the application. In accordance with State Statutes; and give notice of such hearing as required by law.

- (1) In addition, the applicant shall, at least seven days prior to said hearing, prominently post and maintain a placard prescribed by the Board on the site for which the Special permit is requested.
- (2) If the site is a corner lot or a through lot, both streets will be titled in the legal notice (effective 7/23/84).

7.2.3 Board Action: The Board shall approve, modify and approve, or disapprove such application for a Special Permit within 65 days of the date of public hearing, unless an extension of time is consented to by the applicant in accordance with State Statutes. Failure of the Board to act within such time period shall be deemed approval. The decision of the Board shall be published in accordance with State Statutes. In approving the application, the Board may place conditions on such approval and shall consider, in addition to the criteria of Section 7.1.3, the following:

- (1) City Development Plan: That the proposed site plan shall be general conformance with the intent and purpose of the City Development Plan of the City of Milford.
- (2) The location and size of such use, the nature and intensity of operations involved in or conducted in connection therewith, its site layout and its relation to access streets shall be such that both pedestrian and vehicular traffic to and from the use and the assembly of persons in connection therewith will not be hazardous, inconvenient or detrimental to or conflict with the flow of traffic in the neighborhood; and
- (3) The location and size of such use, the nature and intensity of operations involved in or conducted in connection therewith, the location and height of buildings, structures, walls and fences, and the nature and extent of landscaping on the site shall be such that the use will not hinder or discourage the appropriate development and use of adjacent land and buildings, or impair the value thereof.

7.2.4 Renewal of Special Permit: The Board may require as a condition of approval of a Special Permit that it be periodically resubmitted and considered for renewal, as deemed necessary for enforcement purposes by the Board.

7.2.5 Surety: The Board may require surety in accordance with Section 7.1.1.4 herein.

7.2.6 Zoning Permit: Upon approval of a Special Permit by the Board, the applicant shall comply with all applicable provisions of ARTICLE VIII, herein, for the issuance of a Zoning Permit by the Zoning Enforcement Officer.

7.2.7 Effect of Special Permit: Any use for which a Special Permit has been approved shall be deemed to be a conforming use in the Zoning District in which such use is located, as long as all applicable regulations and conditions or approval are met.

7.2.8 Expiration: Any authorized Special Permit for which construction has not commenced or which is not otherwise put into effect within a period of one year shall become null and void, unless an extension of time is applied for by the applicant and granted by the Board.

7.2.9 Revocation: An authorized Special Permit shall be subject to revocation by the Board if any conditions or safeguards imposed by the Board upon land, buildings, structures or uses for said permit are not strictly adhered to by the applicant and/or owner. However, before the Board may revoke any Special Permit, the Board shall hold a public hearing thereon in accordance with Section 7.2.2 herein.

7.2.10 Amendments: Applications for Special Permit amendments shall be made to the Zoning Enforcement Officer in the same manner as the original application; except that amendments which are found to be of a minor nature or which do not materially alter either the Special Permit or Site Plan, as determined by the Board, may be authorized after Board review only, if lieu of Section 7.2.2 herein.

7.2.11 Waivers: The Board may waive, subject to appropriate conditions, such requirements of this Section 7.2 and the standards as set forth in the regulations governing uses requiring Special Permits as in its judgment of the special circumstances and conditions relating to a particular application, are not requisite in the interest of the public health, safety and general welfare. When making its determination as to the extent of variation from the standards as set forth in these Regulations, the Board shall take into consideration to prospective character of the use, the interest of the City as a whole and the purpose and intent of these regulations (effective 12/19/81).

7.3 Special Exceptions: The Planning and Zoning Board shall hear and decide requests for Special Exceptions where required by the specific terms of these Regulations. Each Special Exception being brought shall be considered as an individual case and shall, in addition to other standards prescribed in these Regulations, conform to the detailed application of the following standards in a manner appropriate to the particular circumstances of such use:  
(effective 2/1/89)

7.3.1 The nature, location, size, intensity and site layout of the use shall be such that it will be in harmony with the appropriate and orderly development of the area in which it is situated and that its operations will comply with the Performance Standard Regulations, Section 5.9, herein.

- 7.3.2 The nature and size of the use, the nature and intensity of the operations involved in or conducted in connection with it, its site layout, and its relations to streets giving access to it shall be such that both pedestrian and vehicular traffic to and from the use and the assembly of persons in connection with it will not be hazardous or inconvenient to the predominant character of the neighborhood, or conflict with the normal traffic of the neighborhood, taking into consideration, among other things, convenient routes of pedestrian traffic, particularly street intersections, vehicular turning movements in relation to routes and volumes of traffic flow, sight distances, and adequacy of parking facilities.
- 7.3.3 The location and height of buildings, the location, nature and height of walls and fences and the nature and extent of landscaping on the site shall be such that the use will not hinder or discourage the appropriate development and use of adjacent land and buildings or impair the value thereof.
- 7.3.4 The Planning and Zoning Board may require that Special Exceptions be periodically renewed with a time period prescribed by the Planning and Zoning Board. Any approval shall commence within one year from date of issuance unless the Planning and Zoning Board grants an extension of time.
- 7.3.5 An owner of a legal non-conforming 2, 3, or 4 family dwelling, office or restaurant use of land or structure which pre-existed the original adoption of Zoning Regulations by the City of Milford, or are non-conforming as a result of the adoption of subsequent zoning regulations shall be authorized to make application for a Special Exception to extend, enlarge or alter said legal non-conforming lot, structure or use, provided that the applicant meets minimum development standards of the SFA-10 District for a 2, 3 or 4 family use, RO District for an office use, and LB-50 District for a restaurant use (effective 11/10/80).

ARTICLE VIII - INTERPRETATION, ADMINISTRATION AND ENFORCEMENT

SECTION 8.1 INTERPRETATION In interpreting and applying these Regulations, the requirements contained herein are declared to be the minimum requirements for the protection of the public health, safety, and general welfare. These Regulations shall not be deemed to interfere with, or abrogate, or annul, or otherwise affect, in any manner whatsoever, any easements, covenants, or other agreements running with the land, provided, however, that where these Regulations, or portion thereof, impose a greater restriction upon structures, buildings, or land that is imposed by other laws, ordinances, easements, covenants, agreements, or provisions herein, the more stringent provisions of these Regulations shall prevail.

SECTION 8.2 ZONING ENFORCEMENT OFFICERS The Zoning Enforcement Officers of the City of Milford shall be charged with the responsibility and authority to enforce the provisions of these Regulations. The City Planning & Zoning Board may appoint Deputy Zoning Enforcement Officers as deemed necessary to assist and act for the Zoning Enforcement Officer in the performance of his various duties and functions.

8.2.1 Any application approved by the Zoning Enforcement Officers (as opposed to approval by the Planning & Zoning Board or Zoning Board of Appeals) for a zoning permit for which construction has not commenced or which is not otherwise put into effect within a period of one year shall become null and void, unless an extension of time is applied for by the applicant, and granted by the Zoning Enforcement Officers (effective 1/23/82).

For expiration of permits approved by the Planning and Zoning Board see Section 7.1.3.11 Site Plan Review and Section 7.2.8 Special Permits. For expiration of permits approved by the Zoning Board of Appeals, see Section 9.2.2.4.

8.2.2 The Chairman of the Planning and Zoning Board, City Planner and Assistant City Planner shall have the responsibility and authority to enforce the provisions of these regulations in the same capacity as the Zoning Enforcement Officers in the performance of the Zoning Enforcement Officer's duties and functions in the absence of the Zoning Enforcement Officer and at such times as circumstances may require (effective 4/9/88).

SECTION 8.3 APPLICATION FOR ZONING PERMIT Application for a zoning permit shall be submitted to the Zoning Enforcement Officer prior to construction, reconstruction, extension, enlargement, moving or alteration of any building, or other structure and prior to the use or occupancy of any land, building or other structure. The application shall be submitted in duplicate and shall be accompanied by two or more copies, as required by the Zoning Enforcement Officer, of a layout or plot plan drawn to scale. The application and plot plan shall also show the following information:



- 8.3.1 The actual shape and dimensions and area of the lot with all easements, whether existing or proposed.
- 8.3.2 The actual height, dimensions, use, floor area, ground coverage, location of all buildings and other structures, whether existing or proposed.
- 8.3.3 The actual number of bedrooms where appropriate and other type of units that each building is intended to accommodate, whether existing or proposed.
- 8.3.4 The location, area and dimensions of all curbs and sidewalks, off-street parking and loading spaces, and buffers or screening required in connection therewith, and the means of access to such spaces.
- 8.3.5 Such additional information including other plans, drawings, data, statements, certifications and documents as may be necessary to determine compliance with these Regulations.
- 8.3.6 Principal Building or Use: If the Zoning Permit sought is for a principal building or use, all dimensions shown on the plot plan relating to the location and size of the lot to be built upon and based on an actual property survey prepared by a Land Surveyor and/or Professional Engineer registered in the State of Connecticut. This requirement shall be met when deemed necessary by the Zoning Enforcement Officer for any other building, structure or use. At the discretion of the Zoning Enforcement Officer, the lot shall be staked out on the ground before construction is started.

SECTION 8.4 FEES Each application for a Zoning Permit shall be accompanied by the applicable fee, as determined from time to time by the Planning and Zoning Board.

SECTION 8.5 APPROVAL OF APPLICATION FOR ZONING PERMIT The Zoning Enforcement Officer shall approve an application for a Zoning Permit to allow the construction, reconstruction, extension, enlargement, moving or alteration of any building or other structure and/or to allow the use or occupancy of any land, building, or other structure after he determines that all requirements of these Regulations have been met. The Zoning Enforcement Officer shall approve or disapprove all applications within a reasonable time, and shall forthwith return one copy of the approved application to the applicant for submission to the Building Inspector. In the event the Zoning Enforcement Officer shall disapprove an application for a Zoning Permit, he shall, at the request of the applicant; set forth in writing the reasons for such disapproval.

- 8.5.1 Expiration of Approval: Any approved application for a Zoning Permit for which construction has not commenced or which is not otherwise put into effect within a period of one year shall become null and void, unless an extension of time is applied for by the applicant and granted by the Zoning Enforcement Officer.

SECTION 8.6 BUILDING PERMIT No building permit for any building, structure or use subject to these Regulations shall be issued by the Building Inspector unless and until the applicant shall have previously received an approved application for a Zoning Permit from the Zoning Enforcement Officer.

8.6.1 Expiration of Permit: Any building permit issued by the Building Inspector under the provisions of these Regulations, but under which no work is commenced within one year from the date of the approved application for a Zoning Permit, shall expire by limitation.

SECTION 8.7 INSPECTIONS The Zoning Enforcement Officer is hereby authorized to inspect or cause to be inspected any land, building, structure or use to determine compliance with these Regulations.

SECTION 8.8 ISSUANCE OF CERTIFICATE OF ZONING COMPLIANCE A Certificate of Zoning Compliance shall be applied for from the Zoning Enforcement Officer at the same time as application is made for a Certificate of Occupancy from the Building Inspector. Within ten days after notification from the applicant that the land, building or structure is ready for occupancy or use, the Zoning Enforcement Officer shall determine if they are in full compliance with these Regulations. Within ten days of receipt of both a Certificate of Building Compliance from the Building Inspector and other information necessary to make a determination and an "as built" certified plot plan from the applicant, as required by the Zoning Enforcement Officer, said Zoning Enforcement Officer shall issue a Certificate of Zoning Compliance.

In situations where an application for Zoning Compliance concerns property within an incomplete subdivision, an official confirmation from the City Engineer that the first course of paving has been installed and is adequate to provide ingress and egress, and that the additional public improvements required are of a sufficient state of completeness so as not to significantly diminish the use of said property, shall be required prior to the issuance of the Certificate of Zoning Compliance (effective 9/27/79). Said Certificate of Zoning Compliance shall state that such land, building, or structure, or part thereof, and the proposed use thereof, are in full compliance with the provisions of these Regulations, or in the case of variances or pre-existing structure or uses, that such are lawfully existing.

8.8.1 Temporary Certificate of Zoning Compliance: The Zoning Enforcement Officer is hereby authorized to issue a temporary Certificate of Zoning Compliance, having a duration of not more than six months, for the temporary use of land, buildings, and other structures in the process of completion which are in conformity with these Regulations.

8.8.2 Change of Use The change of an existing use of land, buildings or structures, or part thereof, to another proposed use which is allowable in the applicable zoning district shall be subject to the provisions of this Section for the issuance of a Certificate of Zoning Compliance in the same manner as a new building, structure or use.

SECTION 8.9 CERTIFICATES OF OCCUPANCY No land shall be used except for farming or gardening purposes, and no building or structure or part thereof hereafter constructed, reconstructed, extended, enlarged, altered, moved, changed or converted, wholly or partly in its use or structure, shall be occupied or used unless a Certificate of Zoning Compliance shall have been issued by the Zoning Enforcement Officer and until a Certificate of Occupancy shall have been issued by the Building Inspector.

8.9.1 CERTIFICATE OF ZONING COMPLIANCE - CONVERSIONS In the event a request is made for a Certificate of Zoning Compliance for a two or three family existing dwelling in a single or two family zone, the Zoning Officer(s) shall be authorized to issue a letter of intent in cases where the conversion took place before 1958, but subsequent to June 1930, the inception of Zoning Regulations.

This letter of intent may be issued in cases where incomplete or conflicting records prevail, provided that the number of units of discrepancy does not exceed one (1).

The letter of intent shall state that if the structure is brought up to current building, fire and housing codes, as applicable, a Certificate of Zoning Compliance will be issued by the Zoning Officer at the satisfactory completion of said required code improvements (effective 9/19/87).

SECTION 8.10 ADMINISTRATIVE PROCEDURES The City Planning and Zoning Board may adopt administrative rules and procedures necessary to enforce these Regulations.

8.10.1 Code Enforcement Committee The Zoning Enforcement Officer may, at his discretion or upon the request of any applicant, call the Code Enforcement Committee to expedite, correlate, and act upon the approval of applications for any required certificate or permits.

8.10.1.1 In addition to Section 8.3, herein, the applicant shall submit building plans and plot plans, as deemed necessary by the Committee's scheduled meeting date.

8.10.1.2 The Committee may approve, approve with modifications, or disapprove the plot plans and/or building plans in whole or in part.

8.10.1.3 Upon review and approval of all plans, the Committee may authorize the issuance of applicable certificates or permits or the applicant may obtain the necessary certificates or permits by applying to each applicable department individually.

SECTION 8.11 SPECIAL CONDITIONS Any maps, plans, documents, statements and stipulations submitted to and approved by the Planning & Zoning Board and/or the Zoning Board of Appeals in connection with a Special Permit, Special Exception Variance or other action of said Boards, as required by these Regulations, and any conditions of such approval(s) attached by said Board(s) shall be conditions for the approval of an application for and the issuance of a Zoning Permit by the Zoning Enforcement Officer.

SECTION 8.12 RECORDS The Zoning Enforcement Officer shall keep records of all approved applications for Zoning Permits and Certificates of Zoning Compliance; and shall keep records of all identifiable violations and action taken under these Regulations and all notices of violation served by him and the action taken thereon. Such records may be disposed of after five years or in accordance with State Law.

SECTION 8.13 VIOLATIONS AND PENALTIES Any building or structure constructed, reconstructed, extended, enlarged, altered, converted, moved, changed or used contrary to any of the provisions of these Regulations and any use of any land, building or structure which is conducted, operated or maintained contrary to any of the provisions of these Regulations, shall be, and the same is hereby declared to be, unlawful.

8.13.1 Action: The Zoning Enforcement Officer may initiate an injunction, mandamus, abatement, summons, or any other appropriate action to prevent, enjoin, abate, or remove such construction, reconstruction, extension, enlargement alteration, conversion, or use in violation of any of the provisions of these Regulations. Such action may also be instituted by any property owner who may be particularly damaged by any violation of these Regulations.

8.13.2 Notice: The Zoning Enforcement Officer shall serve notice to the person or corporation committing or permitting the violations and if such violation does not cease within such time as the Zoning Enforcement Officer may specify, he may institute such of the foregoing actions as may be necessary to terminate the violation. Such notice may be served by mailing to said person or posting the lot or building.

8.13.3 Effect of Notice: On the serving of notice of any violation of any provisions or requirements of these Regulations in respect to any building or structure, the Certificate of Zoning Compliance for such use shall thereupon become null and void and a new Certificate of Zoning Compliance shall be required for any further use of such building or structure.

8.13.4 Penalties: The owner or agent of a lot, building or structure where a violation of any provision of these Regulations shall have been committed, or shall exist, or the lessee or tenant of an entire lot, building or structure where such violation shall have been committed or shall exist, or the owner, agent lessee or tenant of any part of the lot, building or structure in which such violation shall have been committed or shall exist, or the agent, architect, builder, contractor or any other person who shall commit, take part, or assist in any such violation, or who shall maintain any lot, building or structure in which any such violation shall exist, shall be subject to fines of \$10.00 for each day that such violation shall continue; but, if the offense be willful, the person convicted thereof shall be subject to fines of \$100.00 or more up to \$250.00 for each day that such violation shall continue, or imprisoned not more than 10 days for each day such violation shall continue, or both; and the proper court shall have jurisdiction of such offenses, subject to appeal as in other cases. Any person who having been served with order to discontinue any such violation, fails to comply with such order within 10 days after such service or continue to violate any provision of these Regulations, shall be subject to a civil penalty of \$250.00 payable to the Treasurer of the City.

8.13.5 Remedies: The remedies provided for herein are cumulative and not exclusive and shall be in addition to any other remedies provided by Law.

ARTICLE IX - ZONING BOARD OF APPEALS

SECTION 9.1 ADMINISTRATION The Zoning Board of Appeals as provided by State Statute, shall have the power to adopt from time to time such rules and procedures consistent with law, as may be necessary to carry out the provisions of these Regulations and to exercise the authority vested in it by State Statute.

SECTION 9.2 POWERS AND DUTIES The Zoning Board of Appeals shall have the following powers and duties all of which shall be exercised subject to appropriate conditions and safeguards, in harmony with the purpose and intent of these Regulations and in harmony with the public health, safety and welfare.

9.2.1 Appeals: To hear and decide appeals where it is alleged that there is an error in any order, requirement or decision made by the Zoning Enforcement Officer of the City of Milford.

9.2.2 Variances: The Zoning Board of Appeals shall have the authority to grant non-use variances including, but not limited to: side, rear and front yard setbacks, minimum lot width, minimum lot area, and building height and size requirements, in the case of an exceptionally irregular, narrow, shallow, or steep lot or other physical conditions for which strict application would result in exceptional difficulty or unusual hardship that would deprive the owner of the reasonable use of the land or building involved. No variance in the strict application of any provision of these Regulations shall be granted by the Zoning Board of Appeals unless it finds:

9.2.2.1 That there are special circumstances or conditions fully described in the written findings of the Zoning Board of Appeals, applying to the land or buildings for which the variance is sought, which circumstances or conditions are peculiar to such land or building, and do not apply generally to land or buildings in the district, and have not resulted from any act subsequent to the adoption of these Regulations, whether in violation of the provisions hereof or not; and

9.2.2.2 That, for reasons fully set forth in the written findings of the Zoning Board of Appeals, the aforesaid circumstances or conditions are such that the strict application of the provisions of these Regulations would deprive the applicant of the reasonable use of such land or building and the granting of the variance is necessary for the reasonable use of the land or building, and that the variance as granted by the Zoning Board of Appeals is the minimum variance that will accomplish this purpose; and

9.2.2.3 That the granting of the variance will be in harmony with the purposes and intent of these Regulations, and will not be injurious to the neighborhood or otherwise detrimental to the public welfare.

9.2.2.4 That any variance hereafter granted for a non-conforming use or structure shall become null and void twelve months after such granting, if such non-conforming use or structure shall not have commenced (effective 1/23/82).

9.2.3 Use Variance: Except to the extent uses are not otherwise allowed in one underlying zone, use variances are explicitly prohibited.

9.2.4 Approval of Location: To approve the location of gasoline stations, motor vehicle dealerships, and motor vehicle repair garages as defined by State Statutes; and in the case of new locations including site expansion subject to prior Special Permit & Site Plan Approval by the Planning and Zoning Board and to the Location Requirements of Section 5.3, herein.

### SECTION 9.3 PROCEDURE

9.3.1 Applications: All appeals and applications made to the Zoning Board of Appeals shall be in writing, on forms prescribed by the Board, and each appeal or application shall fully set forth the circumstances of the case. Every appeal or application shall refer to the specific provision of the regulations involved, and shall exactly set forth as the case may be, the interpretation that is claimed, or the details of the variance that is applied for and the grounds on which it is claimed that the same should be granted.

9.3.1.1 All applications for appeals and variances to the Zoning Board of Appeals shall contain, in addition to five plot plans submitted on standard letter or legal size sheets of paper, location of the buildings on adjacent property on either side, drawn to the same scale as the plot plan and the specific location of all proposed buildings, if applicable. This does not in any way authorize trespassing for any purpose.

- (1) Plot plans prepared on larger sheets of paper may be submitted to and accepted by the Zoning Board of Appeals, provided that such plot plans are duly certified by a Registered Land Surveyor.
- (2) No division of a lot, reduction in lot area, reduction in lot width or relocation of common lot lines shall be considered by the Zoning Board of Appeals unless a certified plot plan is submitted with the application.
- (3) No division of a lot, which would reduce the area of the resulting lots below the minimum required lot area of the applicable Zoning District, shall be considered by the Zoning Board of Appeals unless the lot owner obtains a satisfactory sanitation report from the Health Administrator and submits same with the application.

9.3.1.2 All applications for approval of location shall be accompanied by an approved site plan and/or an authorized Special Permit, as applicable, in accordance with ARTICLE VII, herein.

9.3.2 Fees: All applications and appeals shall be accompanied by a fee, as determined from time to time by the Zoning Board of Appeals, to cover the cost of advertising and processing. Said fee shall be paid to the secretary of the Zoning Board of Appeals at the time of filing the application.

9.3.3 Public Hearing: The Zoning Board of Appeals shall hold a public hearing on all applications and appeals within 65 days after receipt of the application or notice of appeal and notice of said hearing shall be published in accordance with the provisions of the State Statutes.

9.3.3.1 If the site is a corner lot or a through lot, both streets will be titled in the legal notice (effective 7/23/84).

9.3.3.2 At the time of a public hearing on any application for a variance, the applicant shall present Certificates of Mailing showing that notice has been sent at least seven days in advance of the hearing to each of the owners of land within 200 feet of the property on which a variance is requested, as their names appear upon the last completed assessment roll of the City. If the boundaries of any condominium project are within the 200 foot notice area, the appropriate unit owners and the condominium association must be notified (effective 1/20/77).

9.3.3.3 A sign as prescribed by the Zoning Board of Appeals, shall be posted and maintained on the lot where a variance or special exception is requested for at least seven days prior to the public hearing.

9.3.4 Board Action: The Zoning Board of Appeals shall decide each case within 65 days after the date of the public hearing. Notice of the decision of the Zoning Board of Appeals shall be published in accordance with State Statutes.

9.3.5 Surety: The Zoning Board of Appeals, in authorizing any use, may require as a precondition to its approval, the filing of satisfactory surety in a form satisfactory to the City Attorney and in an amount established by the Zoning Board of Appeals as sufficient to guarantee completion of those items specified by the Zoning Board of Appeals and in conformity with the provisions of these Regulations or any amendments thereto in force at the time of filing. Such surety shall not be released by the Zoning Board of Appeals until it is satisfied that all of the requirements of these Regulations and all stipulations established as part of the approval have been fully satisfied by the applicant.



9.3.6 Records: The Zoning Enforcement Officer shall act as the Executive Secretary to the Zoning Board of Appeals, shall review all applications, shall keep all records of the Zoning Board of Appeals, and shall furnish copies of records, upon request, to any person having a proprietary or tenancy interest in the use, structure or lot affected.

9.3.6.1 Any variance which is granted by the Zoning Board of Appeals shall be placed upon the land records of the City by filing a record of such variance with the City Clerk.

9.3.6.2 The Zoning Enforcement Officer shall report any variance to the Federal Insurance Administration upon request (effective 9/29/78).

#### SECTION 9.4 REVOCATION AND REHEARING

9.4.1 Revocation: Any variance granted by the Zoning Board of Appeals, pursuant to any prescribed conditions or safeguards, shall be subject to revocation by the Zoning Board of Appeals if the said conditions or limitations are not adhered to strictly. Before the Zoning Board of Appeals may revoke its action in granting such variance, it shall hold a public hearing thereon, of which the applicant and property owner in each case shall be given notice and afforded an opportunity to be heard.

9.4.2 Rehearing: No application for a rehearing shall be presented to the Zoning Board of Appeals within a period of 6 months from the date of the decision of the Zoning Board of Appeals, which decision denied the application; unless, in the opinion of the Zoning Board of Appeals, there has been an unusual change in conditions, or an error in the decision, or new evidence warrants a rehearing. Approval of justification for rehearing must be granted by the Zoning Board of Appeals before acceptance of such application

## ARTICLE X - AMENDMENTS

SECTION 10.1 AUTHORITY The Planning and Zoning Board on its motion or on petition may amend, change or repeal those Regulations of the Zoning Map, after public notice and hearing, in accordance with the General Statutes of the State of Connecticut. If the site is a corner lot or a through lot, both streets will be titled in the legal notice (effective 7/23/84).

10.1.1 Notice of Proposed Change of Districts: Before a public hearing on any petition concerning an amendment to the official zoning map of the City of Milford, the petitioner shall notify by certified mail, return receipt requested, at least twenty (20) days in advance of the hearing, each of the owners of land within 200 feet of the property on which a zone change is requested, as their names appear upon the last completed assessment roll of the City. A sign, as prescribed by the Planning and Zoning Board, shall be posted and maintained on the lot where a zone change is requested for at least seven (7) days prior to the public hearing (effective 6/7/80).

10.1.2 Proposed Change of District - Petition for Change of Zone-Special Permit/Site Plan Review Required:

A petition for a change of zone shall be accompanied by a concurrent petition for special permit/application or site plan review for proposed development unless a prior determination that a petition for special permit/application or site plan review is not appropriate has been made by the Planning and Zoning Board.

In the event that the Board has granted a petition for a change of zone and a petition for special permit/application for site plan review, or has granted a petition for a change of zone where a concurrent special permit/site plan review was not required, the applicant shall commence construction or file a petition for a special permit/application for site plan review (as the case may be) within a period of two (2) years from the granting of the zone change. Failure to comply with said two (2) year time limit shall cause the Planning and Zoning Board to consider a change of zone for said property (effective 2/22/82).

10.1.3 Affidavit of Compliance: The petitioner requesting a proposed change of district shall, at least four (4) calendar days before the date of the public hearing, file with the Planning and Zoning Board all returned receipts and undelivered mailings with a signed and notarized affidavit setting forth the manner of compliance with Section 10.1.1 herein (effective 6/7/80).

10.1.4 Approval of Location: The Planning and Zoning Board shall determine whether a proposed junkyard location is suitable in accordance with the factors specified in Section 14-67K of the Connecticut General Statutes.

In considering such application, the Board shall take into account the nature and development of surrounding property; the proximity of churches, schools, hospitals, public buildings or other places of public gathering; the sufficiency in number of other such yards or business in the vicinity; whether or not the location is within a restricted district; the health, safety and general welfare of the public; and the suitability of the applicant to establish, maintain or operate such yard or business and receive a license therefore (effective 2/22/82).

10.1.5 Exemptions The provisions of Section 10.1.1 and 10.1.2, above, shall not apply in the case of an amendment, change or repeal proposed by the Board on its own motion.

10.2 PETITION AND FEES Each petition for a zoning amendment shall be submitted in writing and in a form prescribed by the Planning & Zoning Board and shall be accompanied by a fee in accordance with the Schedule of Zoning Fees as established by the Planning & Zoning Board.

10.3 REFERRALS The Planning & Zoning Board shall give written notice to the regional planning agency of proposed zoning amendments in accordance with the General Statutes of the State of Connecticut, as applicable.

10.4 PENDING DISTRICT CHANGES Whenever there may be pending before the Planning and Zoning Board any proposal for an amendment to the Zoning Map or Regulations, the Zoning Enforcement Officer, for a period of not more than 145 days from the date of first public notice of the public hearings, shall have the authority to withhold the approval of any Zoning Permit for the construction or substantial alteration of any building upon any lot likely to be affected by the final determination of such motion pending the public hearing and final decision by the Planning and Zoning Board.

10.5 PROTEST OF ZONE CHANGE Where a protest is filed with the Planning & Zoning Board at a public hearing on a proposed amendment signed by the owners of 20 percent or more of the area of the lots included in such proposed change, or of the lots within 500 feet in all directions of the lots included in the proposed change, such change shall not be adopted except by a vote of two-thirds of the entire membership of said Board.

10.6 EFFECTIVE DATE OF AMENDMENTS Zoning regulations, boundaries or zoning district and any amendments or changes thereto, shall become effective the day following publication of said action taken by the Board or at such time as may be fixed by the Planning and Zoning Board, provided notice shall have been published in a newspaper having a substantial circulation in the City of Milford. (Effective 5/20/89)

ARTICLE XI, DEFINITIONS

SECTION 11.1 GENERAL TERMS In the interpretation and use of these Regulations, words and phrases shall be construed according to the commonly approved usage of the language; and technical words and phrases, and such as have acquired a peculiar and appropriate meaning in law, shall be construed and understood accordingly. All words used in the present tense include the future tense; all words in the plural number include the singular number; and all words in the singular number include the plural number, unless the natural construction of the wording indicates otherwise. The words "shall" and "will" are mandatory and not directory. The word "used" shall be deemed also to include "designed, intended or arranged to be used." Unless otherwise specified, all distances shall be measured horizontally.

SECTION 11.2 OTHER TERMS Except as otherwise stated, or as the context may otherwise require, the following words, for the purpose of these Regulations, shall be defined as follows:

**THESE REGULATIONS** - The words "These Regulations" and "these regulations" shall be deemed to refer to the "Zoning Regulations of the City of Milford" as amended.

**ALCOHOLIC LIQUOR** - The term "alcoholic liquor" as used in these regulations shall have the same meaning as that defined in the General Statutes, as amended.

**APPARENT HIGH WATER MARK** - The average height of the tide measured and recorded during any given day or cycle period.

**APPROVED** - Means a signed, written approval by the Planning & Zoning Board (or its designated agent or the New Haven County Soil & Water Conservation District) that a soil erosion and sediment control plan complies with the applicable requirements of these regulations. (effective 9/17/85)

**AREA OF SPECIAL FLOOD HAZARD** - The land in the flood plain within a community subject to a one percent or greater change of flooding in any given year.

**BASE FLOOD** - The flood having a one percent chance of being equalled or exceeded in any given year.

**BASEMENT** - A story in a building located partly underground, but having less than one-half of its clear flood to ceiling height below the average level of finished grade adjoining the exterior walls of the building.

**BOARD** - The Planning and Zoning Board of the City of Milford.

**BOARDING, LODGING OR ROOMING HOUSE** - A dwelling in which two or more rooming units are rented for compensation, with or without provisions for meals.

**BREAKAWAY WALLS** - Any type of walls, whether solid or lattice, and whether constructed of concrete, masonry, wood, metal, plastic, or any other suitable building material which are not part of the structural support of the building and which are so designed as to breakaway, under abnormally high tides or wave action, without damage to the structural integrity of the building on which they are used or any buildings to which they might be carried by flood waters.

**BUFFER STRIP** - A strip of land along a property line or zone line abutting properties zoned residential, which shall be free of any building or use other than existing natural woody growth and appropriate landscaping and screening of suitable type, density and height and which may be a part of the minimum yard requirements, and at the discretion of the Board may be within a Residential District.

**BUILDING** - A structure having a roof supported by columns or walls along whose outside face can be traced an unbroken line for the complete circumference of the building, which is permanently affixed to a lot or lots for the housing or enclosure of persons, animals or chattels, and shall include each of the independent units into which it is divided by party walls. The connection of two buildings by means of an open porch, breezeway, passageway, carport or other such open structure, with or without a roof, shall not be deemed to make them one building, except in the case of a private garage so attached to a dwelling. Except as otherwise indicated "buildings" as used in these Regulations shall be deemed to include "structures".

**BUILDING ACCESSORY** - A building which is clearly incidental or subordinate to, customarily in connection and located on the same lot with the principal building or use; and the cubic footage and floor area of such accessory building do not exceed 50% of same of the principal building.

**BUILDING AREA** - The aggregate of the maximum horizontal cross section area enclosed by the walls of all building on a lot, together with the area enclosed by the columns of all covered porches and similar roofed structures.

**BUILDING FACING WALL** - The exterior wall surface of a building which is visible from and generally parallel to a street line.

**BUILDING GROUP** - Two or more principal buildings located on a single lot.

**BUILDING HEIGHT** - The vertical distance measured from the average level of the finished grade adjacent to the exterior walls of the building to the mean height between eaves and ridge for gable, hip, and gambrel roofs, or to the highest point of any other type of structure; except that the height for a building which is located within a flood hazard area shall be measured from the regulatory flood protection elevation.

**BUILDING PRINCIPAL** - A building in which is conducted the main or principal use of the lot on which said building is located.

**BUILDING SETBACK LINE** - The line within a lot defining the minimum required horizontal distance between the principal building or use to be erected and an adjacent street or lot line.

**CAMP TRAILER** - A trailer designed, manufactured and used solely for camping or pleasure purposes or for the purpose of transporting personal property of the owner and bearing a current "Camp Trailer" registration.

**CELLAR** - A portion of a building located partly or wholly underground and having half or more of its clear floor to ceiling height below the average level of finished grade adjoining the exterior walls of the building.

**CLUB** - An association of persons which is the owner, lessee or occupant of an establishment operated solely for a recreational, social, fraternal, religious, political or athletic purpose whose activities are confined to the members and guests, are not extended to the general public, and include the establishment so operated; but does not include such clubs, the chief activity of which is a service customarily carried on primarily for business or gain.

**COASTAL HIGH HAZARD AREA** - The area subject to high velocity waters, including but not limited to, hurricane wave wash or tsunamis. The area is designated on a FIRM as Zone VI-30.

**CONDOMINIUM** - As defined by State Statute, (Refer to the Housing Laws of the State of Connecticut, Chapter 825, entitled, "Unit Ownership Act", as amended.

**CONSTRUCTION, NEW** - Structures for which the "start of construction" commenced on or after the effective date of Section 5.6.

**CONSTRUCTION, START OF** - Includes substantial improvement, and means the date the building permit was issued, provided the improvement was within 180 days of the permit date. The actual start means the first placement of permanent construction of a structure (including a manufactured home) on a site, such as the pouring of slabs or footings, installation of piles, construction of columns, or any work beyond the stage of excavation or placement of a manufactured home on a foundation. Permanent construction does not include land preparation such as clearing, grading and filling; nor does it include the installation of streets and/or walkways; nor does it include the excavation for a basement, footings, piers or foundations or the erection of temporary forms; nor does it include the installation on the property of accessory buildings, such as garages or sheds not occupied as dwelling units or not part of the main structure.

**CONVALESCENT HOME, NURSING HOME OR REST HOME** - An institution licensed by the State Department of Health having facilities and all necessary personnel to provide services of a personal nature, nursing care under medical supervision and direction to carry out nonsurgical treatment and dietary procedures for chronic diseases or convalescent stages of acute diseases or injuries.

COOPERATIVE - A form of ownership in which more than one stockholder of a corporation has control over a certain property jointly with one or more other stockholders.

COUNTY SOIL & WATER CONSERVATION DISTRICT - Means the New Haven County Soil and Water Conservation District established under subsection (a) of Section 22a - 315 of the General Statutes.

COURT - An unoccupied open space, other than a yard, on the same lot with a building and which is bounded on three or more sides by the walls of such building. An OUTER court extends to a street line or opens upon a front, side or rear yard. An INNER court is enclosed on all sides by the walls of the building.

CRAWL SPACE - An area below the lowest floor of a structure used for the purpose of gaining access to the mechanical items with not more than 4 ft. in the clear as measured from the inside grade to the bottom of the floor joints.

CURB LEVEL - The permanently established grade of the street at the edge of pavement or at the base of the curb in front of the lot.

DAY CARE CENTER OR NURSERY SCHOOL - A building or portion thereof, licensed by the State Department of Health, having facilities and all necessary personnel for the care guidance and/or supervision of five or more children not common parentage.

DEVELOPMENT - Any man-made change to improved or unimproved real estate, including but not limited to, buildings or other structures, mining, dredging, filling, grading, paving, excavation or drilling operations.

DISTURBED AREA - Means an area where the ground cover is destroyed or removed leaving the land subject to accelerated erosion.

DORMITORY - A building or group of buildings designed or altered for the purpose of accommodating students or members of religious orders with sleeping quarters with or without communal kitchen facilities and administered by a bona fide educational or religious institution. Dormitory includes fraternity and sorority houses, convents, priories and monasteries, but does not include clubs.

DRIVE-IN ESTABLISHMENTS - A business establishment so developed that its principal retail or service character is dependent on providing a driveway approach or parking spaces for motor vehicles so as to either serve patrons while in the motor vehicles or else intended to permit consumption in the motor vehicle of food or beverage obtained by a patron from said business establishment. (E.G. restaurants, service stations, cleaners, banks, theaters, etc.)

DWELLING - A building, or portion thereof, used exclusively for residential occupancy, including one family, two family and multiple family dwellings. Any trailer coach, or manufactured mobile home, not located in a trailer park, as defined herein, which remains on any lots within the limits of this City for more than 48 hours within a six month period shall be constructed to be a dwelling except for those that are only displayed for sale in a zoning district permitting such.

**DWELLING, ATTACHED** - A dwelling having any portion of one or more walls in common with another dwelling.

**DWELLING, MULTIPLE FAMILY** - A dwelling containing three or more dwelling units.

**DWELLING, ONE FAMILY** - A detached dwelling containing one dwelling unit.

**DWELLING, TWO FAMILY OR DUPLEX** - A dwelling containing 2 dwelling units.

**DWELLING UNIT** - A dwelling or portion thereof, providing a single housekeeping unit with living, sleeping, cooking, eating and bathroom facilities.

**EARTH SHELTERED DWELLINGS** - Shall be any residence built entirely below grade or partially below grade with two (2) but not more than 2 (2) sides constructed as basement walls. (See Basement and Cellar definitions)

**EATING PLACES** - A business establishment open to the general public for the primary purpose of serving prepared food for consumption on the premises.

**EROSION** - Means the detachment and movement of soil or rock fragments by water, wind, ice or gravity.

**FAMILY** - Persons related by blood, marriage or adoption, or a reasonable number of individuals occupying a dwelling unit who are committed to living together as a single housekeeping unit, in harmony with the surrounding neighborhood, responsible for maintaining a common household. A roomer, boarder or lodger shall not be considered a member of the family for the purpose of this definition. (Effective 9/10/88)

**FARM** - A lot of 3 acres or more, used for the raising of crops or pasture or both. Stock raising, dairying, poultry raising and kindred activities are to be considered as a part of and included within farming.

**First Floor** - The lowest floor above grade; or partly below grade and not qualifying as a basement or cellar. (See also definition lowest floor.)

**FLOOD OR FLOODING** - A general and temporary condition of partial or complete inundation of normally dry land areas from (1) the overflow of inland or tidal waters and/or (2) the unusual and rapid accumulation of runoff of surface waters from any source.

**FLOOD FREQUENCY** - The average frequency statistically determined for which it is expected that a specific flood level or discharge may be equalled or exceeded.

**FLOOD HAZARD AREA** - Areas shown on the flood insurance rate map as Zones A, A1, A30 and Zone V, VI and V30.



FLOOD INSURANCE RATE MAP (FIRM) - The official map on which the Federal Insurance Administration has delineated both the areas of special flood hazards and the risk premium zones applicable to the community.

FLOOD INSURANCE STUDY - The official report provided in which the Federal Insurance Administration has provided flood profiles, as well as the Flood Hazard Boundary-Floodway Map and the water surface elevation of the base flood.

FLOODWAY - The channel of a river or other watercourse and the adjacent land areas that must be reserved in order to discharge the base flood without cumulatively increasing the water surface elevation more than 1 foot.

FLOOR AREA - The floor area of a building is the sum of the gross horizontal area of the several floors of the building, measured from the exterior faces of exterior walls or from the center line of walls separating two buildings. Floor area shall include the area of basements when used for residential, commercial or industrial purposes, but need not include a cellar or portion of a basement used for incidental storage or housing of mechanical or central heating equipment.

FLOOR AREA RATIO (F.A.R.) - The floor area of buildings on a lot divided by the area of such lot.

GARAGE, COMMERCIAL - Any lot, building or part thereof, used for the storage, service or repair of motors, or motor vehicles for remuneration, including any rental, lease or sale of motor vehicles.

GARAGE, PRIVATE - An accessory building or portion of a principal building used for the storage of vehicles as an accessory use.

GARAGE, VEHICLE REPAIR AND/OR SERVICE - A commercial garage or gasoline station used for repairing, overhauling, removing, adjusting, replacing, assembling or disassembling any parts of any motor, engine, or vehicle.

GASOLINE STATION - Any lot, building or part thereof, used for the sale of gasoline or motor vehicle fuel which may include facilities for lubrication, washing, or otherwise servicing vehicles, but not including painting of vehicles.

GRADING - Means any excavating, grubbing, filling (including hydraulic fill) or stockpiling of earth materials or any combination thereof, including the land in its excavated or filled condition.

HABITABLE FLOOR - Any floor usable for living purposes, which includes working, sleeping, eating, cooking or recreation or a combination thereof. A floor used for commercial and/or industrial storage purposes is not a "habitable floor".

HOME BUSINESS USE - A use customarily conducted for compensation entirely within a dwelling and carried on only by the residents thereof which use is clearly incidental and secondary to the use of the building for dwelling purposes and does not change the residential character thereof. The conducting of a clinic, hospital, barber shop, beauty shop, tea room, tourist home, animal hospital, or any other similar use shall not be deemed to be a home occupation.

HOSPITAL - A building licensed by the State of Department of Health having facilities, medical staff and all necessary personnel to provide diagnosis, care and treatment of a wide range of acute conditions or chronic diseases, including injuries.

HOTEL - A building or portion thereof which has a common entrance and common heating system and which contains one or more rooming units designed to be occupied by individuals or groups of individuals for compensation and including such business as may be incidental thereto for the sole convenience of the occupants. For the purpose of these Regulations, hotel shall include "tourist home".

IMPROVEMENT, SUBSTANTIAL - Any repair, reconstruction or improvement of a structure, which equals or exceeds 50 per cent of the square footage of the structure either:

- (1) Before the improvement or repair is started, or
- (2) If the structure has been damaged and is being restored, before the damage occurred. For the purpose of this definition, "improvement, substantial" is considered to occur when the first alteration of any wall, ceiling, floor or other structural part of the building commences, whether or not that alteration affects the external dimensions of the structure.

The term does not, however, include either:

- (1) Any project for improvement of a structure to comply with existing State or local health, sanitary or safety code specifications which are solely necessary to assure safe living conditions, or
- (2) Any alteration of a structure listed on the National Register of Historic Places or a State Inventory of Historic Places.

INSPECTION - means the periodic review of sediment and erosion control measures shown on the certified plan. (effective 9/17/85)

JUNK YARD - See Motor Junk Business.

LEGAL NON-CONFORMING LOT - Any lot legally existing in accordance with the then applicable regulations which has been made non-conforming by subsequent adoption of zoning regulations or amendments thereof. Such a lot may not be conforming to the present zoning district regulations for any prescribed lot requirements, such as lot area, width or depth.

LEGAL, NON-CONFORMING STRUCTURE - A structure or building legally existing on the effective date of these regulations or any amendment thereto which does not conform to the zoning district regulations for any prescribed structure or building requirements, such as front, side or rear yards; building height; building area or lot coverage; lot area per dwelling unit; dwelling units per building; parking and loading spaces, etc.

LEGAL, NON-CONFORMING USE - A use whether of a building, structure or lot, legally existing on the effective date of these regulations or any amendments thereto which does not conform to the use regulations of the zoning district in which it is located.

LOT - A parcel of land occupied or to be occupied by a building or group of buildings and accessory buildings, together with such open spaces as are required under the provisions of these regulations.

LOT AREA - The gross horizontal area contained within the property lines of the lot.

LOT COVERAGE - The portion or percentage of a lot occupied or intended to be occupied by all buildings, structures and paved areas other than walkways.

LOT DEPTH - The mean distance from the front line of the lot to the rear lot line measured in the general direction of the side lines of the lot.

LOT, INTERIOR - A lot other than a corner lot.

LOT LINE - Any property line bounding a lot.

LOT LINE, REAR - The lot line generally opposite the street line; if the rear lot line is less than ten feet in length, or if the lot comes to a point in the rear, the rear lot line shall be deemed to be a line parallel to the street line, not less than ten feet in length, lying farthest from the street line.

LOT, THROUGH - A lot other than a corner lot which has frontage on two or more streets.

LOT WIDTH - The horizontal distance between side lot lines measured parallel to the street line and along the building setback line for the front yard.

LOWEST FLOOR - Means the lowest floor of the lowest enclosed area, including basement, an unfinished or flood resistant enclosure, usable solely for parking of vehicles or building access in an area other than a basement area is not considered a building's lowest floor.

MEAN HIGH WATER MARK - The average height of all apparent high water marks recorded over a 19 year period or a computed equivalent period.

MEAN SEA LEVEL - The average height of the surface of the sea for all stages of the tide, usually determined from hourly readings during any given period. For the purpose of these regulations, mean sea level shall be deemed to be an elevation of 0.0 feet. (USGSS datum, MSL)

MANUFACTURED MOBILE HOME - A structure that is transportable in one or more sections, built on a permanent chassis and designed to be used with or without a permanent foundation, when connected to the required utilities. It does not include recreational vehicles or travel trailers for purposes of compliance with flood-proofing requirements.

MANUFACTURED MOBILE HOME PARK OR MOBILE HOME SUBDIVISION - EXISTING - A parcel or contiguous parcels of land divided into two or more mobile home lots for rent or sale, for which the construction of facilities for servicing the lot on which the mobile home is to be affixed (including at a minimum, the installation of utilities, either final site grading or the pouring of concrete pads and the construction of streets) is completed before the effective date of Section 5.6.

MANUFACTURED MOBILE HOME PARK OR MOBILE HOME SUBDIVISION - EXPANSION TO EXISTING - The preparation of additional sites by the construction of facilities for servicing the lots on which the mobile homes are to be affixed (including the installation of utilities, either final site grading or pouring of concrete or the construction of streets).

MANUFACTURED MOBILE HOME PARK OR MOBILE HOME SUBDIVISION - NEW - A parcel (or contiguous parcels) of land divided into two or more mobile home lots for rent or sale for which the construction of facilities for servicing the lot (including, at a minimum, the installation of utilities, either final site grading or the pouring of concrete pads and the construction of streets) is completed on or after the effective date of Section 5.6.

MOTEL - A building or group of buildings which contains ten or more rooming units, each generally having a separate outside entrance; and designed to be occupied by individuals or groups of individuals for compensation and including such business as may be incidental thereto for the sole convenience of the occupants. For the purpose of these regulations, motel shall include buildings designated as motor inns and tourists courts.

MOTOR JUNK BUSINESS OR JUNK YARD - The term "junk yard" shall be construed to include any "junk yard", "motor vehicle junk business" and "motor vehicle junk yard" as defined in State Statutes. Any place of business or of outside storage or deposit, whether in connection with any business or not, which has stored or deposited two or more unregistered vehicles, which are no longer intended or in condition for legal use on the public highways or used parts of vehicles or old iron, metal, glass, paper, cordage, or other waste material or discarded second hand material which has been a part, or

**MOTOR JUNK BUSINESS OR JUNK YARD (CONTINUED)**

intended to be a part, of any vehicle, the sum of which parts or materials shall be equal in bulk to two or more vehicles. Said term shall also include any place of business or of outside storage or deposit of vehicles for parts or for use of the metal for scrap and where it is intended to burn material which are parts of a vehicle or cut up the parts thereof.

**NON-CONFORMING LOT** - Any lot which does not conform to the current lot requirements such as lot area, width and/or depth. See also legal non-conforming lot definition.

**NON-CONFORMING STRUCTURE** - Any structure or building which does not conform to the zoning district regulations for any prescribed structure or building requirements, such as front, side or rear yards; building height, building area or lot coverage; lot area per dwelling unit; dwelling units per buildings; parking and loading spaces; etc. See also legal non-conforming structure definition.

**NON-CONFORMING USE** - A use, whether of a building, structure or lot which does not conform to the use regulations of the zoning district in which it is located. See also legal non-conforming use definition.

**PARKING LOT** - A area other than a street used for the parking of registered vehicles.

**PREMISES** - A lot, plot or parcel of land including the buildings or structures thereon.

**REGULATORY FLOOD** - A flood which is representative of large floods known to have occurred generally in the area and is reasonably characteristic of what can be expected to occur. The regulatory flood generally has a flood frequency of approximately 100 years as determined from analyses of floods or other waterbodies and watercourses in the same general region.

**REGULATORY FLOOD PROTECTION ELEVATION** - The level to which buildings, structures and uses controlled by these regulations are required to be flood-proofed. In the absence of specifically established regulatory flood protection elevation, such level shall be deemed to be 10 feet above mean sea level.

**RIVERINE** - Means relating to, formed by, or resembling a river, including tributaries, streams, brooks, etc.

**ROOMING UNIT** - A building or portion thereof providing a single housekeeping unit with living and sleeping facilities, but excluding cooking and eating facilities (amended 7/5/88).

**SAND DUNES** - Naturally occurring accumulations of sand in ridges or mounds landward of the beach.

SCHOOL, COMMERCIAL - Any business or school operated for the compensation or gain of its owner or operator, where students or enrollees are assembled for the purpose of instruction and generally confined to one area of interest, such as bartending, beauty culture, dancing, judo, sewing, or welding schools.

SEASONAL HIGH WATER LEVEL - The extreme height of water measured and recorded during any given season of the year, usually occurring during the spring.

SEDIMENT - Means solid material, either mineral or organic, that is in suspension, is transported, or has been moved from its site of origin by erosion.

SETBACK - The horizontal distance from any street or lot line to any building, structure or use, measured in a straight line from and perpendicular to such street or lot line.

SIGN ANIMATED - Any sign or source of light or part thereof which flashes, rotates, moves or in any way simulates motion.

SIGN, AREA - The number of square feet contained within a single continuous perimeter enclosing the extreme limits of the actual sign surface. Structural members and supports required by Building Codes and not bearing advertising matter and not forming an integral part of the display shall be excluded from the sign area. The allowable area of a double-face sign shall be computed on one side only.

SIGN, COMMERCIAL ADVERTISING OR OFF-PREMISES - Any sign owned or operated by any person, firm or corporation engaged in the business of outdoor advertising for compensation for the use of such signs.

SIGN, DIRECTIONAL - A sign intended to direct the way to a place or activity or to point toward a place of activity.

SIGN, DOUBLE-FACE - A sign containing the same advertisement on both sides of the supporting structure.

SIGN, FLASHING - Any sign, the illumination of which is not kept constant in intensity at all times, and/or which exhibits sudden or marked changes in such light intensity or color effects.

SIGN, GROUND OR FREESTANDING - A sign supported by one or more uprights or braces in or above the ground.

SIGN, HEIGHT OF - The vertical distance between the curb level and the top of a sign.

SIGN, ILLUMINATED - A sign which is illuminated by either internal or external lighting devices or sources.

SIGN, INDIRECTLY ILLUMINATED - A sign which is illuminated by either external lighting devices or sources.

**SIGN, ON PREMISES** - A sign advertising a use conducted on the premises where the sign is located.

**SIGNS, NUMBER OF** - For the purpose of determining the number of signs, a sign shall be considered to be a single display surface or display device containing elements organized, related and composed to form a unit. Where matter is displayed in a random manner without organized relationship elements, or where there is reasonable doubt about the relationship of elements, each element shall be considered to be a single sign.

**SIGNS, OFF PREMISE** - A sign advertising a use not conducted on the premises or a product not sold on the premises where the sign is located.

**SIGN, PROJECTING** - A sign which is affixed to an exterior wall of any building and extending more than 15 inches beyond the building walls or parts thereof.

**SIGN, ROOF** - A sign attached to a building and erected upon the roof or extending above the roof line, eaves, parapet of such building.

**SIGN, WALL** - A sign which is affixed to the exterior walls of any building and projecting not more than 15 inches from the building wall or parts thereof. Wall signs shall also include illuminated signs erected inside window display area of a building.

**SOIL** - Means any unconsolidated mineral or organic material of any origin.

**SOIL EROSION & SEDIMENT CONTROL PLAN** - Means a scheme that minimizes soil erosion and sedimentation resulting from development and includes, but is not limited to, a map and narrative. (effective 9/17/85)

**STORY** - That part of a building, including basements, but excluding cellars, between any floor and floor above or in its absence, the ceiling or roof above, notwithstanding the foregoing cellars as defined in the case of earth sheltered dwellings (as defined) shall be counted as stories.

**START OF CONSTRUCTION** - SEE CONSTRUCTION START OF.

**STREET** - Any right-of-way used for streets, roads, highways, avenues, boulevards, lanes or other vehicular accessways.

**STREET, PRIVATE** - Any street other than a public street.

**STREET LINE** - The dividing property line between the street and lot.

STRUCTURE - Anything constructed or erected which requires location on the ground or attachment to something having a location on the ground. Except as otherwise indicates, "structure" as used in these regulations shall be deemed to include buildings, swimming pools, open entries, signs, and fences or walls more than three feet in height other than retaining walls.

STRUCTURAL ALTERATION - Any change in or addition to the structural or supporting members of a building, such as bearing walls, columns, beams or girders.

SWIMMING POOL - Any "swimming pool" as defined and regulated in "The Public Health Code of the State of Connecticut" and/or Building Code.

TERRACE - A structure not more than 18 inches in height above average grade on any side and located on the ground with no structural supports other than subsurface base material.

TRAILER PARK - A lot on which there is located or intended to be located two or more trailer coaches occupied for living purposes.

TRAILER COACHES - A vehicle with or without motive power designed to be self-propelled or to be drawn by a motor vehicle and to be used for human habitation or for the carrying of a person. Includes mobile homes.

USE - The specific purpose for which a lot or a building is designed, arranged, intended to be used, or for which it is or may be occupied or maintained. The terms permitted use, special use, or its equivalent shall not be deemed to include a non-conforming use, as defined herewith.

USE, ACCESSORY - A use of land, buildings or structures which is clearly incidental to, and customarily in connection with, and located on the same lot with the principal building or use.

USABLE OPEN SPACE - The portion of the ground space on the same lot and contiguous to the principal building which is either landscaped, or developed and maintained for recreation or conservation purposes. Usable open space shall not include those portions of a lot that are utilized for off-street parking or loading, driveway or building purposes.

VEHICLE - Any motor vehicle as defined by the General Statutes of the State of Connecticut, as amended.

VEHICLE DEALERSHIP - A commercial garage or lot primarily used for merchandising vehicles.

WATER SURFACE ELEVATION - means the height, in relation to the National Geodetic Vertical Datum (NGDV) of 1929 or other datum where specified, of floods of various magnitudes and frequencies in the flood plains of coastal or riverine areas.



WETLANDS - Any wetland as defined by State Statutes.

YARD, FRONT - An open, unoccupied space extending across the full width of the lot between the front wall of the principal building and the street line. The depth of the required front yard shall be measured horizontally from and perpendicular to the nearest point of the front lot line toward the nearest part of the building on the lot.

YARD, SIDE - An open, unoccupied space between a principal building and the side lot line extending from the front yard, to the rear yard. The width of the required side yard shall be measured horizontally from and perpendicular to the nearest point of the side lot line toward the nearest part of the principal building on the lot.

YARD, REAR - An open, unoccupied space extending across the full width of the lot between the most rear principal building and the rear lot line. The depth of the required rear yard shall be measured horizontally from and perpendicular to the nearest part of the rear lot line toward the nearest part of the principal building on the lot. (See also Lot line, Rear).

ARTICLE XII - VALIDITY, REPEALER AND EFFECTIVE DATE

SECTION 12.1 VALIDITY If any Article, Section, or provision of these Regulations shall be adjudged invalid, such adjudication shall apply only to the provision so adjudged invalid, and the rest and remainder of these Regulations, as they shall not or hereafter exist, shall be deemed to be valid and effective.

SECTION 12.2 REPEALER All zoning regulations previously adopted for the City of Milford, are hereby repealed.

SECTION 12.3 EFFECTIVE DATE These Regulations shall become effective, as provided by law, upon enactment by the Planning and Zoning Board of the City of Milford, Connecticut.

October 2, 1973  
Date of Adoption

October 6, 1973  
Effective Date

